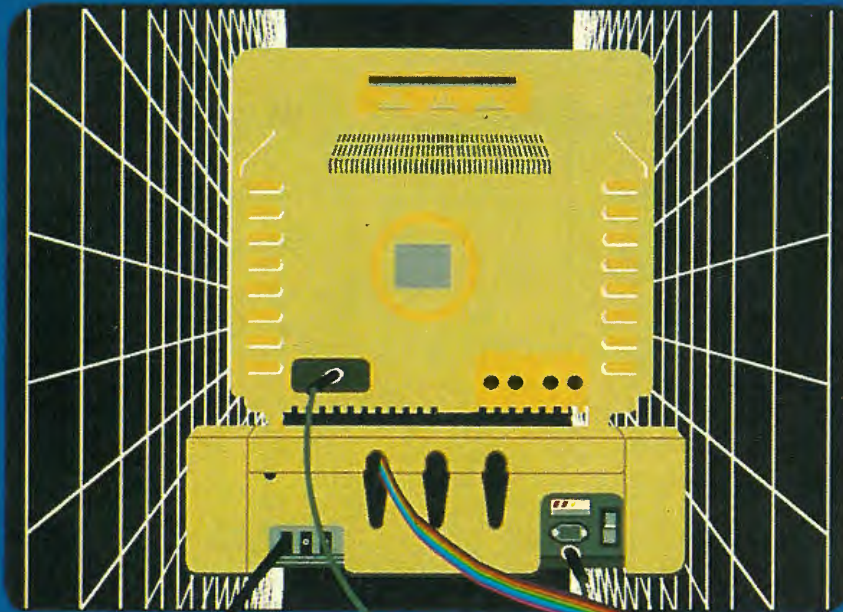


ELECTRONICS & Wireless World

DECEMBER 1983

85p



Australia	A\$	3.00
Denmark	DKr	34.50
Germany	Dm	7.00
Greece	Dra	220.00
Holland	DFL	8.50
Italy	L	3800
Norway	Nkr	29.20
Singapore	M\$	5.50
Spain	Pts	340.00
Switzerland	SFr	7.00
U.S.A.	\$	3.75

Microcomputer survey

Heating energy saver

Robot control



Farnell

bench power supplies

THE D RANGE ...

- Digital meters
- 1mA resolution of current
- 10 turn voltage control
- Measure external voltages
- Output on/off switch
- CV or CI operation

Four models:

- D30-2 0-30 volts at 2 amps single
- D30-2T 0-30 volts at 2 amps twin
- D30-4 0-30 volts at 4 amps single
- D100-1 0-100 volts at 1 amp single



Send for new colour leaflet now to:

FARNELL INSTRUMENTS LIMITED · SANDBECK WAY · WETHERBY · WEST YORKSHIRE LS22 4DH
TEL. (0937) 61961 · TELEX 557294 OR HARPENDEN TEL. (05827) 66123

WW-001 FOR FURTHER DETAILS



Microcomputer survey
Heating energy saver
Robot control

Behind the micro, compiled on a Dicommed D38 design station by Eidographics of London. The design station interfaces with a film recorder to produce 35mm slides with 4000-line resolution.

NEXT MONTH

Digitally controlled x-y plotter uses curtain rails and bicycle bearings to provide accurate drawings from computer software. Behind the Micro continues our microcomputer survey, looking at standard interfaces for connection to the outside world. Signal generator for the home workshop covers 5 to 30MHz in five hands, featuring constant-amplitude i.c. oscillator, facilities for external or internal modulation, and a calibrated attenuator. Sampling-frequency meter based on 6805 c-mos microprocessor samples inputs repetitively and, builds up distribution of maximum or average values in 21 memory channels.

Current issue price 85p, back issues (if available) £1.06, at Retail and Trade Counter, Units 1 & 2, Bankside Industrial Centre, Hopton Street, London SE1. Available on microfilm; please contact editor. By post, current issue £1.30, back issues (if available) £1.40, order and payments to EEP General Sales Dept, Quadrant House, The Quadrant, Sutton, Surrey SM2 5AS. Tel: 01-661 8668. Editorial & Advertising offices: Quadrant House, The Quadrant, Sutton, Surrey SM2 5AS. Telephones: Editorial 01-661 3614. Advertising 01-661 3130. See leader page. Telex: 892084 BISPRS G. Subscription rates: 1 year £15 UK and £19 outside UK. Student rates: 1 year £10 UK, and £12.70 outside UK. Distribution: Quadrant House, The Quadrant, Sutton, Surrey SM2 5AS. Telephone: 01-661 3248. Subscriptions: Oakfield House, Perrymount Road, Haywards Heath, Sussex RH16 3DH. Telephone: 0444 459188. Please notify a change of address. USA: \$49.40 surface mail, \$102.60 air. Business Press International (USA), Subscriptions Office, 205 E.42nd Street, NY 10017. USA mailing agents: Expeditors of the Printed Word Ltd, 527 Madison Avenue, Suite 1217, New York, NY 10022. 2nd class postage paid at New York. © Business Press International Ltd 1983 ISSN 0043 6062.

ELECTRONICS & Wireless world

DECEMBER 1983

VOL 89 NO 1575

23	TECHNOLOGY ASSESSMENT
24	COMMUNICATIONS COMMENTARY
26	FOWBERRY ENERGY SAVER by J. MacHarg
28	MICROCOMPUTER ROBOT CONTROL by M. R. Driels
31	INTRODUCTION TO INFORMATION TECHNOLOGY by P. Barker
33	INSTABILITY AT H.F. IN FEEDBACK AMPLIFIERS by P. Ratcliffe
35	16-LINE P.A.B.X by J. H. Kuiper
38	NEWS OF THE MONTH New role for BTG Zilog 32-bitter Stolen yacht
41	PRACTICAL SUB-WOOFER DESIGN by B. J. Sokol
44	CIRCUIT IDEAS High-speed isolator Thunderstorm protection Low-pass filters
49	LETTERS Ethernet Nanocomp/t.t.y. interface Current dumping
52	COMPETITION
53	FORTH LANGUAGE by B. Woodroffe
56	ASSEMBLY-LANGUAGE PROGRAMMING by R. F. Coates
62	BEHIND THE MICRO
74	IMPROVED COLOUR TELEVISION DECODING by D. Read
80	A MICROCOMPUTER BUS STANDARD - AT LAST by P. T. H. Roberts
83	NEW PRODUCTS

COMPUTER WAREHOUSE

1000's OF BARGAINS FOR CALLERS

THE 'ALADDIN'S' CAVE OF COMPUTER AND ELECTRONIC EQUIPMENT

HARD DISK DRIVES

Fully refurbished DIABLO/DRE series 30 2.5 Mb disk drives. DEC RK05, NOVA, TEXAS compatible. Front load. Free stand or rack mount. Exchangeable type (via lid removal) me3025 PSU unit for 2 drives. **£350.00** me3025 PSU unit for 2 drives. **£295.00** DIABLO/DRE 44-4000A/B 5.5 ex stock from 1000's of spares for S30, 4000, 3200, HAWK ex stock. Plus in house repair, refurbishing service. Call for details or quotation.

CALCOMP PLOTTERS

936 3 colour digital incremental, 37" drum, parallel interface and accessories **£2,500.00** 718 4 colour digital 8 x 5 FEET flat bed & controller (cost 25,000) 1 only at **£1,950.00** Viewing by appointment.

HOT LINE DATA BASE

DISTEL ©

THE ORIGINAL FREE OF CHARGE dial up data base. 1000's of stock items and one off bargains. ON LINE NOW - 300 baud, full duplex CCITT tones, 8 bit word, no parity. **01-679 1888**

MAINS FILTERS

Cure those unnering hang ups and data glitches caused by mains interference. SDA As recommended by ZX81 news letter, matchbox size up to 1000 watt load. **£5.95** L2127 compact completely cased unit with 3 pin fitted socket. Up to 750 watts **£9.99**

COMPUTER 'CAB'

All in one quality computer cabinet with integral switched mode PSU, Mains filtering, and twin fan cooling. Originally made for the famous DEC PDP8 computer system costing thousands of pounds. Made to run 24 hours per day the PSU is fully screened and will deliver a massive +5v DC at 17 amps, +15v DC at 1 amp and -15v DC at 5 amps. The complete unit is fully enclosed with removable top lid, filtering, trip switch, 'Power and Run' LEDs mounted on All front panel, rear cable entries, etc. etc. Units are in good but used condition - supplied for 240v operation complete with full circuit and tech. man. Give your system that professional finish for only £49.95 + Carr. Dim. 19" wide 16" deep 10.5" high. Useable area 16" w. 10.5" h. 11.5" d. Also available LESS PSU, with FANS etc. Internal dim. 19" w. 16" d. 10.5" h. **£19.95**. Carriage & insurance £9.50.

COOLING FANS

Keep your hot parts COOL and RELIABLE with our range of BRAND NEW professional cooling fans. ETRI 99XU01 Dim. 92 x 92 x 25 mm. Miniature 240 v equipment fan complete with finger guard. **£9.95** GULD JB-34 Dim. 3" x 3" x 2.5" compact very quiet running 240 v operation. **NEW £6.95** BUHLER 69.11.22. 8-16 v DC micro miniature reversible fan. Uses a brushless servo motor for extremely high air flow, almost silent running and guaranteed 10,000 hr life. Measures only 62 x 62 x 22 mm. Current cost **£32.00**. OUR PRICE ONLY **£12.95** complete with data. MUFFIN-CENTAUR standard 4" x 4" x 1.25" fan supplied tested EX EQUIPMENT 240 v at £6.25 or 110 v at £4.95 or BRAND NEW 240 v at £10.50. 1000's of other fans EX Stock. Call for Details. Post & Packing on all fans £1.60

SCOOP!

BRAND NEW CASED WORD PROCESSOR KEYBOARDS Made by the famous 'KEYSWITCH' corporation, for a well known computer company's top of the range word processor at a price of over £200.00!! Constructed around an internal INTEL 8048 cpu this superbly styled 106 key keyboard was intended to interface with a main computer via a TTL serial interface. Standard HALL EFFECT long life switches are utilised on an XY matrix, buffered by 74 series TTL ic's to the eight bit CPU port enabling simple modification to your own custom decoding logic via an EPROM etc. Many other features for the most exacting user include: numeric keypad, cursor control pad, ten clear top function keys, LED indicators, single 5v supply on-off lock switch etc. Supplied BRAND NEW and boxed with circuit diagram. **ONLY £49.95 + £2.00 P&P**

BRAND NEW CASED WORD PROCESSOR KEYBOARDS

24" CASED. Only made by the KGM Co with a similar spec as the 12" monitor. Originally used for large screen data display. Very compact unit in lightweight alloy case dim. 19" H x 17" D x 22" W. All silicon electronics and composite video input make an ideal unit for schools, clubs, shops etc. Supplied in a used but working condition. **ONLY £55.00 PLUS £9.50 CARR & INS.**

DRE 7100

8" Disk Drives New **£225 + VAT**

VIDEO MONITORS

12" CASED. Made by the British KGM Co. Designed for continuous use as a data display station, unit is totally housed in an attractive brushed aluminium case with ON-OFF, BRIGHTNESS and CONTRAST controls mounted to one side. Much attention was given to construction and reliability of this unit with features such as, internal transformer isolated regulated DC supply, all components mounted on two fibre glass PCB boards - which hinge out for ease of service, many internal controls for linearity etc. The monitor accepts standard 75 ohm composite video signal via SO239 socket on rear panel. Bandwidth of the unit is estimated around 20 Mhz and will display most high def graphics and 132 x 24 lines. Units are secondhand and may have screen burns. However where burns exist they are only apparent when monitor is switched off. Although unguaranteed all monitors are tested prior to despatch. Dimensions approx. 14" high x 14" wide by 11" deep. Supplied complete with circuit. 240 volt AC operation. **ONLY £45.00 PLUS £9.50 CARR.**

TELETYPE ASR33 I/O TERMINALS

Fully fledged industry standard ASR33 data terminal. Many features including ASCII keyboard and printer for data I/O auto data detect circuitry, RS232 serial interface, 110 baud, 8 bit paper tape punch and reader for off line data preparation and ridiculously cheap and reliable data storage. Supplied in good condition and in working order. Options: Floor stand **£12.50 + VAT** KSR33 with 20ma loop interface **£125.00 + VAT** Sound proof enclosure **£25.00 + VAT**

QUALITY INTERFACE CABLES & CONNECTORS

18/3B D25S to 10ft 18 way **£4.90** 22/2C D25S to 16ft 22 way **£6.30** 22/2A D25S to 3ft 22 way **£2.90** 22/3C D25S to D25P 15ft 22 way **£11.50** 22/3B D25S to D25P 9ft 22 way **£9.50** 1014B D15P to 12ft 15 way (BBC) **£2.90** 25/08 25 way cable 5ft long **95p** 12/15 10 way cable 12ft long **£1.00** D25S ex equip 60p D25S socket new **£1.25** D25 split shells **£1.00**

SUPER DEAL? NO - SUPER STEAL!!

The FABULOUS 25CPS TEC Starwriter Daisy wheel printer at a fraction of its original cost. BRAND NEW AT **ONLY £499 + VAT**

Made to the very highest spec the TEC Starwriter. FP1500-25 features a heavy duty die cast chassis and DIABLO type print mechanism giving superb registration and print quality. Micro-processor electronics offer full DIABLO/QUME command compatibility and full control via CPM Wordstar etc. Many other features include bi directional printing, switchable 10 or 12 pitch, full width 381 mm paper handling with upto 163 characters per line, friction feed rollers for single sheet or continuous paper, internal buffer, standard RS232 serial interface with handshake. Supplied absolutely BRAND NEW with 90 day guarantee and FREE daisy wheel and dust cover. Order NOW or contact sales office for more information. Optional extras: RS232 data cable **£10.00**. Tech manual **£7.50**. Tractor feed **£140.00**. Spare daisy wheel **£3.00**. Carriage & Ins. (UK Mainland) **£10.00**.

66% DISCOUNT

Due to our massive bulk purchasing programme which enables us to bring you the best possible bargains, we have thousands of I.C.'s, Transistors, Relays, Cap's, P.C.B.'s, Sub-assemblies, Switches, etc. etc. surplus to our requirements. Because we don't have sufficient stocks of any one item to include in our ads, we are packing all these items into the 'BARGAIN PARCEL OF A LIFETIME'. Thousands of components at giveaway prices! Guaranteed to be worth at least 3 times what you pay. Unbeatable value!! Sold by weight. 2.5kls **£4.25 + pp £1.25** 5kls **£5.90 + £1.80** 10kls **£10.25 + pp £2.25** 20 kls **£17.50 + £4.75**

ALL PRICES PLUS VAT

All prices quoted are for U.K. Mainland, paid cash with order in Pounds Sterling PLUS VAT. Minimum order value **£2.00**. Minimum Credit Card order **£10.00**. Minimum BONA FIDE account orders from Government depts, Schools, Universities and established companies **£20.00**. Where post and packing not indicated please ADD 60p + VAT Warehouse open Mon-Fri 9.30 - 5.30, Sat. 10.15 - 5.30. We reserve the right to change prices and specifications without notice. Trade, Bulk and Export enquiries welcome.

32 Biggin Way, Upper Norwood, London SE19 3XF Telephone 01-679 4414 Telex 27924

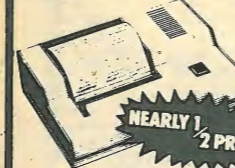
WW - 054 FOR FURTHER DETAILS

VISIT OR PHONE
OPEN 6 DAYS
A WEEK
ALL STOCK
ON DISPLAY

HENRY'S AUDIO ELECTRONICS

Electronics Specialists
Quantity Enquiries Invited

COMPUTERS • COMMUNICATIONS • TEST EQUIPMENT • COMPONENTS



SANYO DM2112 HIGH RESOLUTION MONITOR

12" green display. Composite video. 1280 characters. Over 15 MHz B/W. 240V AC 34 w. 16" x 11 1/4" x 12 1/2". Alphameric and Graphic display. Usually **£89.95 - £99.95** Price **£69.95** incl VAT (UK C/P & Ins £2.05)



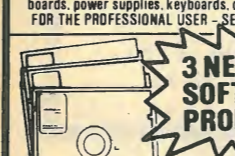
PROFESSIONAL SERIES COMPUTERS IN STOCK

GEMINI • GALAXY • NASCOM • 80-Bus multiboards. Complete and part systems to suit your needs. Frames, boards, power supplies, keyboards, disc systems, etc. FOR THE PROFESSIONAL USER - SEND FOR DETAILS



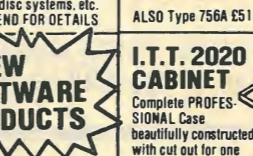
DELUX 69 KEY ASCII KEYBOARD

General purpose. steel plate, output, redefinable. 5 and -12 volt, neg. strobe pulse. 4 user definable keys. Shift and control keys, etc. **£42.95** inc. VAT (UK C/P 85p)



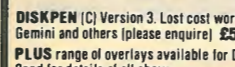
3 NEW SOFTWARE PRODUCTS

MDIS (C) INTELLIGENT DIS-ASSEMBLER. For all CP/M based machines. **£57.50** inc. VAT



I.T.T. 2020 CABINET

Complete PROFESSIONAL Case beautifully constructed with cut out for one 'CHERRY' keyboard, plus ample room to house a COMPLETE SYSTEM and power supply. Complete with fittings. (Case top detachable). Unit is silver-grey in colour. Robust construction. Sloping front with side ventilation. Ideal for NASCOM, ACORN, TANGENT or your own system. Size 18" x 15 1/2" x 4 1/2" (front slopes). **£27.50** inc. VAT (UK C/P £2.50)



DISKPEN (C) Version 3

Lost cost word processor. For Gemini and others (please enquire) **£57.50** inc. VAT PLUS range of overlays available for Diskpen. Send for details of all above. I (C) Copyright Cubegate Ltd. 1983. All rights reserved



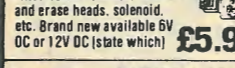
COMPUTER POWER SUPPLY

Switched mode, stabilised, self protecting, S/C protected, etc. 220/240 V AC. -5V 3.3A. -12V 2.4A 40% cycle. -5V 0.5A. -12V 0.5A. Suitable Apple replacement **£57.50** inc. VAT (UK C/P £1.50)



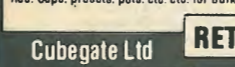
TOROIDAL TRANSFORMER

100 watts isolation 230/240 V AC plus 8-0-8V 4A 15-0-15V 0.645A 30V 0.16A Size approx 4" dia. x 1 1/2" **£7.95** (UK C/P 75p)



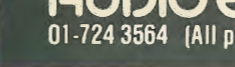
POCKET RADIATION DETECTORS

Dosimeter for Gamma and X-Rays. 0-5r. Quantities available **£6.95**



CASSETTE MECHANISMS

Fitted counter, motor, record and erase heads, solenoid, etc. Brand new available 6V DC or 12V DC (state which) **£5.95** (UK C/P 65p)

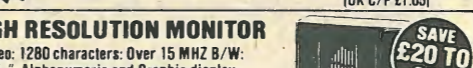


TOROIDAL POWER SUPPLY

12V and 5V 1 amp max stabilised. 6" x 2" x 1 1/2" **£5.95** (UK C/P 65p)

THERMAL-MATRIX-LINE PRINTER

150 to 180 LPM • Full 96 CH ASCII • 40 CPL • 280 Data P/L • Auto-underline • 50 Graphic Symbols • Back Space • Self Test • VU/HOR TABS • 7 x 10 Matrix • 4 1/4" Wide Paper • Bidirectional • 220/240V AC • Size Approx. 9.8 x 2.8 x 7.2". SUITABLE FOR: TANDY • BBC • ORIC • NASCOM • GEMINI • ACORN • NEW BRAIN • DRAGON • etc. etc. (Your enquiries invited). Complete with 3 rolls paper. (Interface unit with leads £15 - state model). **£99.95** inc. VAT (UK C/P £1.05)



SANYO DM2112 HIGH RESOLUTION MONITOR

12" green display. Composite video. 1280 characters. Over 15 MHz B/W. 240V AC 34 w. 16" x 11 1/4" x 12 1/2". Alphameric and Graphic display. Usually **£89.95 - £99.95** Price **£69.95** incl VAT (UK C/P & Ins £2.05)



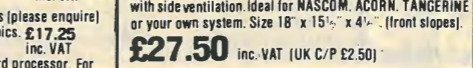
PROFESSIONAL SERIES COMPUTERS IN STOCK

GEMINI • GALAXY • NASCOM • 80-Bus multiboards. Complete and part systems to suit your needs. Frames, boards, power supplies, keyboards, disc systems, etc. FOR THE PROFESSIONAL USER - SEND FOR DETAILS



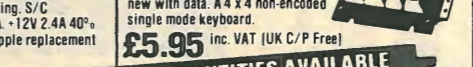
DELUX 69 KEY ASCII KEYBOARD

General purpose. steel plate, output, redefinable. 5 and -12 volt, neg. strobe pulse. 4 user definable keys. Shift and control keys, etc. **£42.95** inc. VAT (UK C/P 85p)



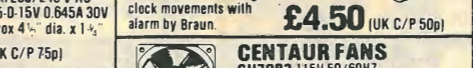
3 NEW SOFTWARE PRODUCTS

MDIS (C) INTELLIGENT DIS-ASSEMBLER. For all CP/M based machines. **£57.50** inc. VAT



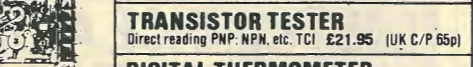
I.T.T. 2020 CABINET

Complete PROFESSIONAL Case beautifully constructed with cut out for one 'CHERRY' keyboard, plus ample room to house a COMPLETE SYSTEM and power supply. Complete with fittings. (Case top detachable). Unit is silver-grey in colour. Robust construction. Sloping front with side ventilation. Ideal for NASCOM, ACORN, TANGENT or your own system. Size 18" x 15 1/2" x 4 1/2" (front slopes). **£27.50** inc. VAT (UK C/P £2.50)



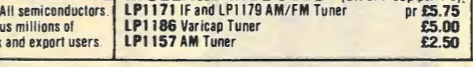
DISKPEN (C) Version 3

Lost cost word processor. For Gemini and others (please enquire) **£57.50** inc. VAT PLUS range of overlays available for Diskpen. Send for details of all above. I (C) Copyright Cubegate Ltd. 1983. All rights reserved



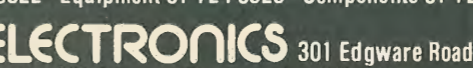
COMPUTER POWER SUPPLY

Switched mode, stabilised, self protecting, S/C protected, etc. 220/240 V AC. -5V 3.3A. -12V 2.4A 40% cycle. -5V 0.5A. -12V 0.5A. Suitable Apple replacement **£57.50** inc. VAT (UK C/P £1.50)



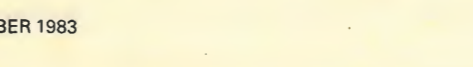
TOROIDAL TRANSFORMER

100 watts isolation 230/240 V AC plus 8-0-8V 4A 15-0-15V 0.645A 30V 0.16A Size approx 4" dia. x 1 1/2" **£7.95** (UK C/P 75p)



POCKET RADIATION DETECTORS

Dosimeter for Gamma and X-Rays. 0-5r. Quantities available **£6.95**



CASSETTE MECHANISMS

Fitted counter, motor, record and erase heads, solenoid, etc. Brand new available 6V DC or 12V DC (state which) **£5.95** (UK C/P 65p)

DIGITAL MULTIMETERS

Free carry case (rotary controls) • Carry case £2.95 (side buttons) **SK6330** 24 range P-B autorange 10A AC/DC buzzer, with case **£90.85** METRIX (ITT) **MX522** 21 range 10A AC/DC **£77.00** **MX524** 24 range 10A AC/DC Plus continuity **£109.25** **MX563** 30 range true RMS Plus many features **£178.25** **MX575** 4 1/2 digit true RMS **£201.25**

BENCH MODELS

TM356 27 range LCD 10A AC/DC 20 meg **£97.75** **TM355** 29 range LCD 10A AC/DC 20 meg **£86.25** **TM351** 29 range LCD 10A AC/DC 20 meg **£120.75** • Optional carry case **£6.84** **2001** 28 range LCD 10A AC/DC plus 5 range cap. Meter with case **£108.00** **DM2350** 21 range 10A AC/DC 20 meg ohm miniature hand held auto range with case **£49.95** **Beckman T110** 34 range 10A AC/DC 20 meg ohm **£56.35** **Beckman T110** As T110 plus Cont. test etc. **£67.85** **Sifam 2200B** 21 range 2A AC/DC 20 meg ohm SPECIAL OFFER **£29.95**

FREQUENCY COUNTERS

PFM200A 200 MHz hand held pocket 8 digit LED with batteries **£77.60** **MET100** 8 digit LED bench 2 ranges 100 MHz with AC Adaptors **£102.35** **MET600** 8 digit LED bench 3 ranges 600 MHz with AC Adaptors **£132.25** **MET1000** 8 digit LED 3 ranges 1 GHz with AC Adaptors **£182.85** **TF400M** 8 digit LCD 40 MHz with batteries **£126.50** **TF200M** 8 digit LCD 200 MHz with batteries **£166.75** 80 optional carry case **£38.84** AC Adaptor **£4.95** Probe kits x1 **£7.95**, x10 **£9.45**, x1-10 **£10.50** Prescalers - Extended range of most counters **£43.00** **TP1000** 600 MHz **£43.00** **TP1000** 1 GHz with AC Adaptors **£74.00**

SIGNAL GENERATORS

(UK C/P £1.00) **FUNCTION:** All sine/square/triangle/TTL etc. **FG101** 0.02Hz-200KHz **£113.85** **FG102** 0.2Hz-2 MHz **£166.75** **PULSE** **PG105** Various facilities 5 Hz-5 MHz **£97.75** **AUDIO:** Multiband Sine/Square **LAG27** 10 Hz to 1 MHz **£90.85** **AG202A** 20 Hz to 200 KHz (list £94.50) **£83.50** **LAG 120A** 10 Hz to 1 MHz Low Distortion **£159.85** **RF** **SR402** 100 KHz to 30 MHz (list £79.50) **£69.50** **LSB17** 100 KHz to 150 MHz (450 MHz HARM) **£79.35**

ELECTRONIC INSULATION TESTER

YF501 500V/0-100m with carry case **£68.00** Large range stocked. Ask for leaflet

MULTIMETERS (UK C/P 65p)

HM102B2 20K V/10A DC 22 range & cont. buzzer **£13.50** **C7081** 50 K/V Range Doubler 10A DC Total 36 Ranges **£12.50** **SPECIAL OFFER** **TMK500** 23 ranges 30K/V 12A DC plus cont. buzzer **£23.95** **NH56R** 20K/V, 22 range pocket **£10.95** **830A** 26 range 30K/V, 10A AC/DC overload protection, etc. **£23.95** **360TR** 23 range 100 K/V, Large scale 10A AC/DC plus Hie **£39.95** **AT2100** 10A AC/DC/31 range 1000 K/V deluxe **£33.50** **AT1020** 18 range 20K/V, Deluxe plus Hie tester **£18.95** **YN360TR** 19 range 20K/V plus Hie tester **£15.95** **Matrix Professional multimeters in stock 3 models from £74.75**

OSCILLOSCOPES

Full specification any model on request. SAE by post. 'HM' Series HAMEG: 'SC' THANDAR: 'CS' TRIO: '3' CROTECH 'Y' HITACHI SINGLE TRACE UK C/P £3.00 **3030** 15 MHz 5mv. 95mm tube plus component tester **£177.10** **SC110A** Miniature 10 MHz battery portable Post free Nicads £12.50 **£171.00** Optional carry case **£6.84** AC adaptor **£6.69** **HM103** 15MHz 2mv. 6 x 7 display plus component tester C/P £3.00 **£181.70** **DUAL TRACE** (UK C/P £4.00) **NM203/4** Dual 20 MHz plus component tester **£303.60** **CS1562A** Dual 10 MHz (List £321.00) **£269.50** **3131** Dual 15 MHz - component tester **£287.50** **CS1566A** Dual 20 MHz All facilities (List £401.35) **£349.50**

VARIABLE POWER SUPPLIES (UK C/P £1.00)

PP241 0/12/24V 0/1A **£35.00** **PP243** 3 amp version **£59.95** **230N** 0/30V 1A Twin meter **£99.50**

LOGIC PROBES

LP10 10 MHz **£26.95** **DLPS50** 50 MHz with carry case and accessories **£49.95**

HIGH VOLTAGE METERS

Direct reading 0/40 KV **20K/Volt** **£23.00** (UK C/P 65p) Also 0/30, 0/45KV version **£39.95**

DIGITAL CAPACITANCE METER

0.1 pF to 2000 nF LCD 8 Ranges (UK C/P 65p) **DM6013** **£52.75**

Cubegate Ltd RETAIL • MAIL ORDER • EXPORT • INDUSTRIAL • EDUCATIONAL

HENRY'S 404-406 Edgware Road, London, W2 1ED Computers 01-402 6822 • Equipment 01-724 0323 • Components 01-723 1008
AUDIO ELECTRONICS 301 Edgware Road, London, W2 1BN 01-724 3564 (All post to 301 Edgware Road, London,

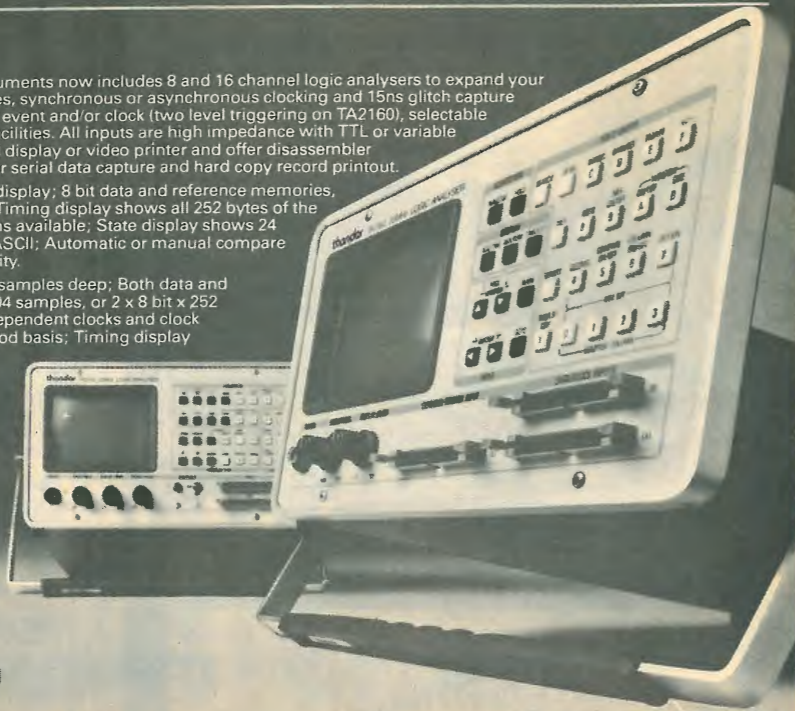
LOGIC ANALYSERS

Thandar's comprehensive range of professional specification instruments now includes 8 and 16 channel logic analysers to expand your test capabilities. Both analysers feature DC to 20MHz sampling rates, synchronous or asynchronous clocking and 15ns glitch capture in latch mode. There is also a powerful compound trigger delay by event and/or clock (two level triggering on TA2160), selectable trigger position, variable trigger filter and clock qualifier and arm facilities. All inputs are high impedance with TTL or variable threshold. Both have a composite video output to drive an external display or video printer and offer disassembler options for common microprocessors. Accessories are available for serial data capture and hard copy record printout.

TA2080 (8 CHANNEL) Full system information always shown in display; 8 bit data and reference memories, both 252 bytes deep; 23 bit triggering (8 data bits, 15 trigger bits); Timing display shows all 252 bytes of the 8 data channels in timing diagram format with x2, x4, x8 expansions available; State display shows 24 sequential bytes in either binary plus ASCII or hex plus octal plus ASCII; Automatic or manual compare between recording and reference memories for equality or inequality.

TA2160 (16 CHANNEL) 16 bit data and reference memories, 252 samples deep; Both data and reference memories configurable as 16 bit x 252 samples, 8 bit x 504 samples, or 2 x 8 bit x 252 samples; 34 bit triggering (16 data, 12 trigger and 6 qualifiers); Independent clocks and clock qualifiers in 2 x 8 bit modes; Sample or latch assignable on a per pod basis; Timing display shows 252 bytes of any 8 channels in timing diagram format with x2, x4, x8 expansions available; State display shows 16 sequential store locations of any 4 memories in 4 columns; each memory can be displayed in either binary, hex, octal, decimal, ASCII, or EBCDIC; Automatic or manual compare between any part of any two memories for equality or inequality; TTL or variable threshold assignable on a per pod basis; RS232 interface permits dumping and loading of reference memories and all system parameters.

Send for our complete catalogue and price list.
Thandar Electronics Ltd, London Road, St. Ives,
Huntingdon, Cambridgeshire, PE17 4HJ.
Telephone (0480) 64646. Telex 32250.



thandar
ELECTRONICS LIMITED THE LOGICAL CHOICE

WW - 030 FOR FURTHER DETAILS

KONTAKT

The European name of Aerosol Excellence. Special cleaners for all electrical contacts and switches.



Kontakt 60
Dissolves oxides and sulphides, removes dirt, oil, resin and traces of metal abrasion. Protects against erosion. Ensures perfect contacts.

Kontakt 61
Special cleaning, lubricating and anti-corrosion fluid for NEW (non oxidised) and specially sensitive contacts. An excellent lubricant for all electrical and electro mechanical systems.

Spray Wash WL
A rapid cleaner for reliable washing and degreasing of electrical equipment and components. For removal of dirt, grease, oil, soldering residues and other impurities.

ALSO AVAILABLE:

A COMPLETE RANGE OF INDUSTRIAL AEROSOL SPRAYS

SK10 Soldering Lacquer, K75 Cold Spray, K70 Plastic Spray, K88 Oil Spray, K701 Vaseline Spray, K90 Video Spray, K33 Graphite Spray, K100 Antistatic Spray, K101 Fluid Spray and, of course, Positiv 20 positive photo resist for printed circuits.

Details from:

Special Products Distributors Ltd.

81 Piccadilly, London, W1V 0HL
Tel: 01-629 9556. Telex: 26500 (answerback RACEN). Cables: Specprod, London, W1

WW - 052 FOR FURTHER DETAILS

P.W. COMPUTING IN RADIO SPECIAL

Following the great success of last December's Computing supplement, this month we feature a second collection of useful programs for the radio enthusiast.

ROCK-BOTTOM START TO AMATEUR RADIO

How to get on the air without spending a fortune!

TWO NEW SERIES

Start this month...

PACKET RADIO

Introduction to one of the newest communication modes.

MATHS FOR THE RAE

Written by Roger Lancaster, author of our popular series 'Passport to Amateur Radio'.

IT'S ALL IN

Practical wireless

DECEMBER ISSUE 90p THE RADIO MAGAZINE

IN YOUR NEWSAGENT'S NOW

WIRELESS WORLD DECEMBER 1983

You win every time!

When you get this NEW & FREE project from GSC



NEW: an exciting range of projects to build on the **EXP300** breadboards.
NOW anybody can build electronics projects; it's as easy as **A.B.C.** with **G.S.C.!**

EXPERIMENTOR BREADBOARDS

The largest range of breadboards from GSC. Each hole is identified by a letter/number system. EACH NICKEL SILVER CONTACT CARRIES A LIFE TIME GUARANTEE. Any Experimentor breadboard can be 'snap-locked' with others to build a breadboard of any size.

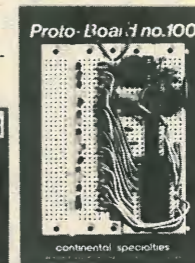
- EXP 325 £2.00** The ideal breadboard for 1 chip circuits. Accepts 8, 14, 16 and up to 22 pin ICs. Has 130 contact points including two 10 point bus-bars.
- EXP 350 £3.45** Specially designed for working with up to 40 pin ICs perfect for 3 & 14 pin ICs. Has 270 contact points including two 20 point bus-bars.
- EXP 300 £6.00** The most widely bought breadboard in the UK. With 550 contact points, two 40 point bus-bars, the EXP 300 will accept any size IC and up to 6 x 14 pin DIPs. Use this breadboard with Adventures in Microelectronics.
- EXP 600 £7.25** Most MICROPROCESSOR projects in magazines and educational books are built on the EXP 600.
- EXP 650 £4.25** Has 6" centre spacing so is perfect for MICROPROCESSOR applications.
- EXP 4B £2.50** Four more bus-bars in "snap-on" unit

PROTO-BOARDS

The ultimate in breadboards for the minimum of cost. Two easily assembled kits.

7. PROTO-BOARD 6 KIT £11.00 630 contacts, four 5-way binding posts accepts up to six 14-pin Dips.

8. PROTO-BOARD 100 KIT Complete with 760 contacts accepts up to ten 14-pin Dips, with two binding posts and sturdy base. Large capacity with kit economy. **£14.25**



For further details of our FULL PROTO-BOARD RANGE, please send for our free catalogue.

GLOBAL SPECIALTIES CORPORATION



G.S.C. (UK) Ltd. Dept. 7B
Unit 1, Shire Hill Industrial Estate,
Saffron Walden, Essex CB11 3AQ
Telephone: Saffron Walden (0799) 21682

FREE project:

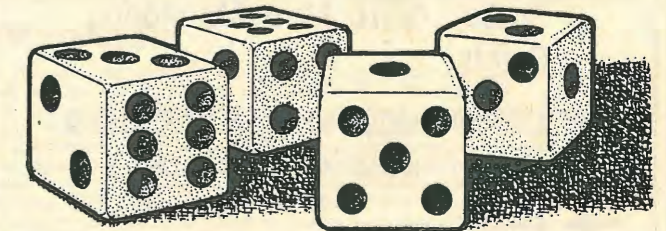
AUTO-DICE

Liven up your board games with this sophisticated electronic dice circuit! When the 'throw' switch is pressed, a numerical display flashes up rapidly changing numbers. After a few seconds, the 'rolling' stops, and the final result is displayed; any number, randomly selected, from 1 to 6. A few seconds later the display turns off to conserve your battery, letting the games go on uninterrupted for weeks!

HOW DO YOU MAKE IT?

Our FREE project sheet gives you a large, clear diagram of the components laid out on an EXP 300 breadboard. Each component is labelled, and the values are given in a component listing. Even the 'row and column' lettering of our EXP 300 is shown to make the location of the correct holes, in which to push the components, easy to find. There's no soldering involved; it couldn't be easier! As an extra bonus, there's a full circuit description, and the details of a regulated power supply on the other side of the sheet.

"Clip the coupon" and get your FREE project sheet with each EXP 300 bought. AND a free catalogue! Just ask about our other free projects too.



G.S.C. (UK) Limited, Dept. 7B, Unit 1, Shire Hill Industrial Estate, Saffron Walden, Essex CB11 3AQ.
Prices include P. & P. and 15% V.A.T.

1	QTY.	2	QTY.	3	QTY.	4	QTY.	5	QTY.	6	QTY.	7	QTY.	8	QTY.
	£3.16		£4.83		£8.05		£9.40		£5.75		£3.73		£13.80		£17.53

Name _____ Address _____

I enclose Cheque/P.O. for £ _____ or debit my Barclaycard/Access/American Express card no. _____ expiry date _____

FOR IMMEDIATE ACTION - The G.S.C. 24 hour, 5 day a week service
Telephone (0799) 21682 and give us your Barclaycard, Access, American Express number and your order will be in the post immediately

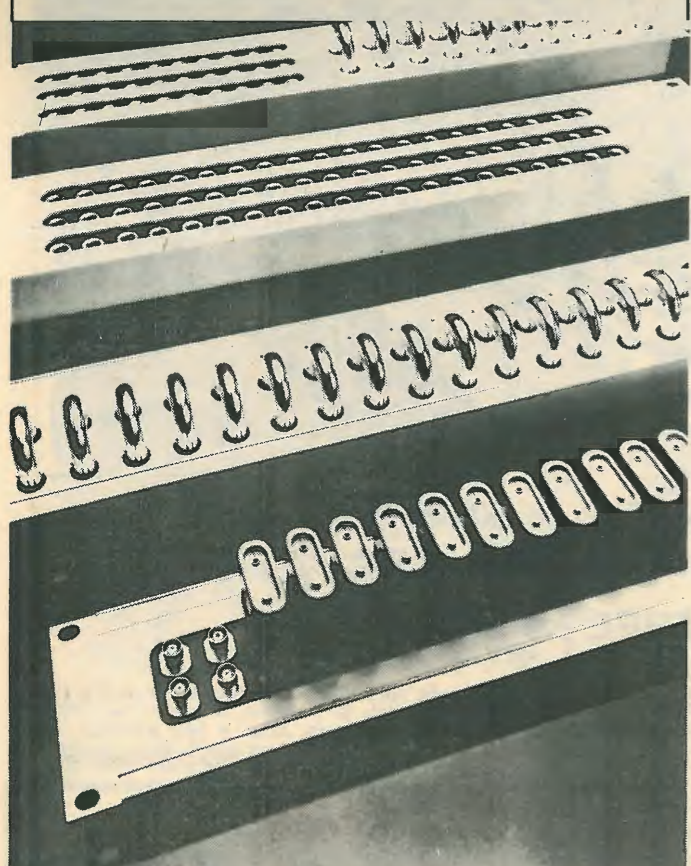
For FREE catalogue tick box

WW - 035 FOR FURTHER DETAILS

WIRELESS WORLD DECEMBER 1983

Brabury Original Jackfields.

... often imitated, never surpassed!



The Connection Collection

- Video Musa-BNC. Mini-Quick Probe, Loop or Musa Monitoring Points.
- Comprehensive Range of Audio & Video / Audio Combinations.
- Earth Free.
- Audio & Video Patch Cords.

Brabury Limited

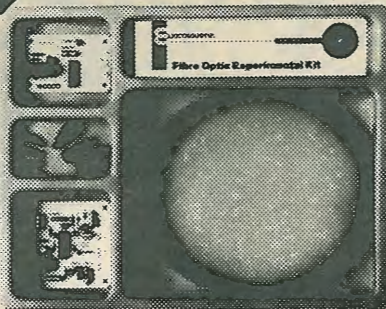
AUDIO VISUAL SYSTEMS
EQUIPMENT & COMPONENT
SPECIALISTS

5 Bone Lane, Newbury, Berks RG14 5PG, England.
Tel: (0635) 33433 Telex: 848760 BRABRY

MONITORS - TALKBACK SYSTEMS -
SOUND & VISION DISTRIBUTION EQUIPMENT - OUTSIDE BROADCAST VEHICLES

WW - 043 FOR FURTHER DETAILS

NEW Get started in Fibre Optics



... with our new fibre optic experimental kit.

Features include:

- 0-10Mbit/s (NRZ) guaranteed to 15m with Polymer Cable. (Can be extended by using a glass fibre).
- TTL Compatible.
- No tools required to terminate cable.
- Fully tested modules.
- Complete with transmitter, receiver connectors and 5m of Polymer Cable.
- Also a full range of components for glass systems available.

Electroustic Ltd.

Hayward House, Northchapel, West Sussex, GU28 9HL.
Tel: (042 878) 611/2. Telex: 858966.

WW - 060 FOR FURTHER DETAILS

Icom means business!

Retails at
£362.86 or
£398.57 +
Selcall.



Icom's latest transceiver offers a great deal to dealers, suppliers and users of PMR mobiles for CBS, message handling and small private installations. The IC-125T is small, compact, Home Office approved and synthesized. As no crystals need be ordered, delivery to licenced customers is much quicker, enabling demonstrations on their own frequency at very short notice. The IC-125T is programmed by inserting diodes in a matrix board. NO crystals - NO frequency tuning - NO fuss - NO waiting - the customer that wants it yesterday, can have it!

The Icom IC-125T features: 25W. output - 5 tone Selcall option CCIR, ZVEI & NATEL with reverberate call & alarm light - Socket for additional equipment - Programmable call tones - Capacity for CTCSS etc. - Forward facing loudspeaker - Microphone - D.C. lead Mobile mounting kit - Black vinyl finish - Size: 50(H) x 150(W) x 180(D) mm. Call Chris Lambert for more details.

Thanet Electronics

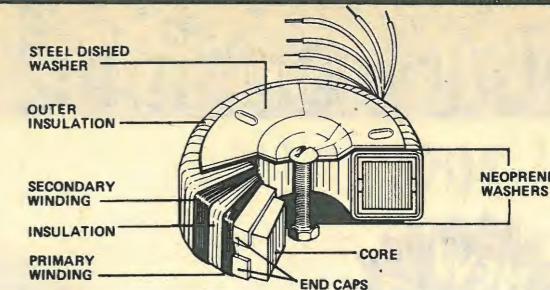
145 Reculver Road, Herne Bay, Kent, England.
Telex: 965179 Tel: (02273) 63859/63880

WW - 039 FOR FURTHER DETAILS

TOROIDALS

The toroidal transformer is now accepted as the standard in industry, overtaking the obsolete laminated type. Industry has been quick to recognise the advantages toroidals offer in size, weight, lower radiated field and, thanks to I.L.P., PRICE.

Our large standard range is complemented by our SPECIAL DESIGN section which can offer a prototype service within 7 DAYS together with a short lead time on quantity orders which can be programmed to your requirements with no price penalty.



15 VA 62 x 34mm 0.35Kg Regulation 19%	50 VA 80 x 35mm 0.9Kg Regulation 13%	120 VA 90 x 40mm 1.2Kg Regulation 11%	225 VA 110 x 45mm 2.2Kg Regulation 7%	500 VA 140 x 60mm 4Kg Regulation 4%	
SERIES SECONDARY					
No	Volts	Current			
0x010	6+6	1.25	2x010	6+6	4.16
0x011	9+9	0.83	2x011	9+9	2.77
0x012	12+12	0.63	2x012	12+12	2.08
0x013	15+15	0.50	2x013	15+15	1.66
0x014	18+18	0.42	2x014	18+18	1.38
0x015	22+22	0.34	2x015	22+22	1.13
0x016	25+25	0.30	2x016	25+25	1.00
0x017	30+30	0.25	2x017	30+30	0.83
(encased in ABS plastic)			2x028	110	0.45
			2x029	220	0.22
			2x030	240	0.20
30 VA 70 x 30mm 0.45Kg Regulation 18%			80 VA 90 x 30mm 1Kg Regulation 12%		
1x010	6+6	2.50	3x010	6+6	6.64
1x011	9+9	1.66	3x011	9+9	4.44
1x012	12+12	1.25	3x012	12+12	3.33
1x013	15+15	1.00	3x013	15+15	2.66
1x014	18+18	0.83	3x014	18+18	2.22
1x015	22+22	0.68	3x015	22+22	1.81
1x016	25+25	0.60	3x016	25+25	1.60
1x017	30+30	0.50	3x017	30+30	1.33
			3x028	110	0.72
			3x029	220	0.36
			3x030	240	0.33
			160 VA 110 x 40mm 1.8Kg Regulation 8%		
			5x011	9+9	8.89
			5x012	12+12	6.66
			5x013	15+15	5.33
			5x014	18+18	4.44
			5x015	22+22	3.63
			5x016	25+25	3.20
			5x017	30+30	2.66
			5x018	35+35	2.28
			5x026	40+40	2.00
			5x028	110	1.45
			5x029	220	0.72
			5x030	240	0.66
			225 VA 110 x 45mm 2.2Kg Regulation 7%		
			6x012	12+12	9.38
			6x013	15+15	7.50
			6x014	18+18	6.25
			6x015	22+22	5.11
			6x016	25+25	4.50
			6x017	30+30	3.75
			6x018	35+35	3.21
			6x026	40+40	2.80
			6x025	45+45	2.50
			6x033	50+50	2.25
			6x028	110	2.04
			6x029	220	1.02
			6x030	240	0.93
			300 VA 110 x 50mm 2.6Kg Regulation 6%		
			7x013	15+15	10.00
			7x014	18+18	8.33
			7x015	22+22	6.82
			7x016	25+25	6.00
			7x017	30+30	5.00
			7x018	35+35	4.28
			7x026	40+40	3.75
			7x025	45+45	3.33
			7x033	50+50	3.00
			7x028	110	2.72
			7x029	220	1.36
			7x030	240	1.25
			500 VA 140 x 60mm 4Kg Regulation 4%		
			8x016	25+25	10.00
			8x017	30+30	8.33
			8x018	35+35	7.14
			8x026	40+40	6.25
			8x025	45+45	5.55
			8x033	50+50	5.00
			8x042	55+55	4.54
			8x028	110	4.54
			8x029	220	2.27
			8x030	240	2.08
			625 VA 140 x 75mm 5Kg Regulation 4%		
			9x017	30+30	10.41
			9x018	35+35	8.92
			9x026	40+40	7.81
			9x025	45+45	6.94
			9x033	50+50	6.25
			9x042	55+55	5.68
			9x028	110	5.68
			9x029	220	2.84
			9x030	240	2.60

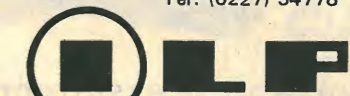
Prices including P&P and VAT

VA	Size	£	VA	Size	£
15	0	6.79	160	5	11.67
30	1	7.58	225	6	13.64
50	2	8.60	300	7	14.87
80	3	9.84	500	8	19.30
120	4	10.51	625	9	22.62

For 110V primary insert "O" in place of "X" in type number.
For 220V primary (Europe) insert "1" in place of "X" in type number.
For 240V primary (UK) insert "2" in place of "X" in type number.
IMPORTANT: Regulation - All voltages quoted are FULL LOAD.
Please add regulation figure to secondary voltage to obtain off load voltage.

Mail Order - Please make your crossed cheques or postal orders payable to ILP Electronics Ltd.

Trade - We will open your credit account immediately upon receipt of your first order.

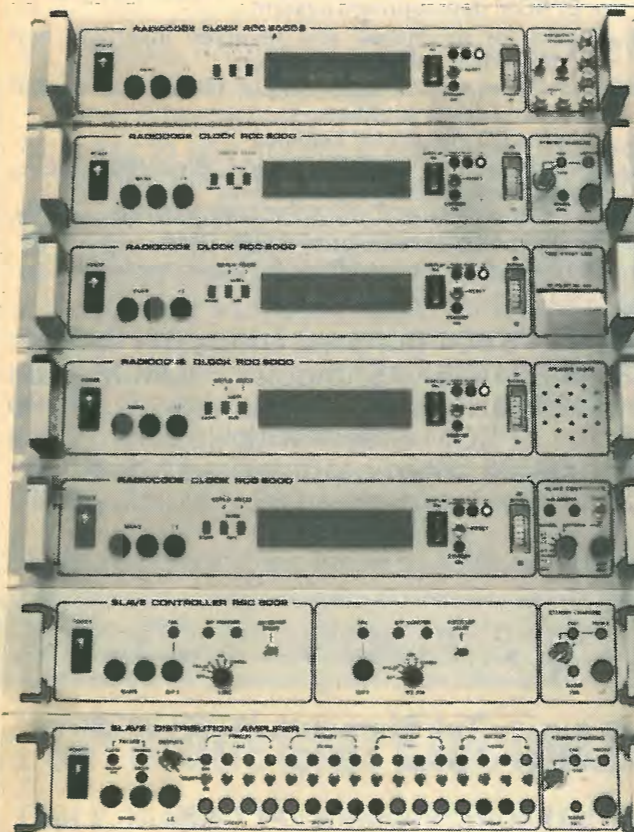


Post to: ILP Electronics Ltd., Dept. 3
Graham Bell House, Roper Close,
Canterbury, Kent. CT2 7EP
Tel: (0227) 54778 Telex: 965780

WW - 022 FOR FURTHER DETAILS

RADIOCODE CLOCKS SOLVE PROBLEMS

ATOMIC TIME, FREQUENCY AND SYNCHRONISATION EQUIPMENT



NEW PHASE-MODULATION SYSTEMS

Until recently, atomic time and date information was only available on v.l.f. transmissions using amplitude modulation. The RCC 8000AM series of equipment uses these transmissions to offer high noise immunity and high accuracy, particularly at very long range.

The new RCC 8000PM series of equipment uses, for the first time, phase modulated transmissions with massive radiated powers of up to 2 Mega-Watts to offer long range, excellent noise immunity and no scheduled maintenance periods.

NEW PRODUCTS

The AM and PM series of Radiocode Clock equipment has been further expanded to include seven new models (from top) 8000S - combined clock, frequency standard and optional stopclock. **Internal standby power supply** - with dual rate constant current charger. **Time-event log** - prints hours, minutes, seconds, milliseconds and day of year, on receipt of a log pulse. **Speaking clock** - time announcement or audio recording. **Slave controller** - total control of single-standard master/slave systems ie one pulse/sec. **Dual standard slave controller** - total control of two different and independent slave systems, ie. one pulse/sec and one pulse/half min. **Slave distribution amplifier** - maximum flexibility for the largest master/slave installations requiring dual standard operation, multiple circuits and complete master/slave backup.

NEW OPTIONS

A continuously expanding range of fully integrated software and hardware is available for both series of Radiocode Clock equipment. Standard options now include:

- IRIG B precision serial o/p
- RS232/V24 1mS resolution
- General purpose parallel o/p
- FSK record/replay system
- Keypad entry of alarm times
- Keypad entry of time/date
- Time code generators
- Intelligent slave systems
- Standard frequency outputs
- Stopclock operation
- Calibrated systems for increased accuracy

Radiocode Clocks Ltd*
Unit 19, Parkengue, Kernick Road Industrial Estate
Penryn, Falmouth, Cornwall. Tel: Falmouth (0326) 76007
(*A Circuit Services Associate Co.)

WW - 024 FOR FURTHER DETAILS

NEW PRODUCT



The new microprocessor controlled EP8000 Emulator Programmer will program and emulate all EPROMs up to 8k x 8 sizes, and can be extended to program other devices such as 16k x 8 EPROMs, Bipolar PROMs, single chip microprocessors with external modules.

Personality cards and hardware changes are not required as the machine configures itself for the different devices.

The EP4000 with 4k x 8 static RAM is still available with EPROM programming and emulation capacity up to 4k x 8 sizes.

- EP8000 8k x 8 Emulator Programmer – £695 + £12 delivery
- BSC8 Buffered emulation cable – £49
- SA27128 Programming adaptor – £69
- SA25128 Programming adaptor – £69
- EP4000 4k x 8 Emulator Programmer – £545 + £12 de-

FEATURES

- Software personality programming/emulation of all EPROMs up to 8k x 8 bytes including 2704, 2708, 2716(3), 2508, 2758A, 2758B, 2516, 2716, 27C16, 2532, 2732, 27C32, 2732A, 68732-0, 68732-1, 68766, 68764, 2564, 2764, 27C64. Programs 25128, 27128 with adaptors.
- No personality cards/characterisers required.
- Use as stand alone programmer, slave programmer, or EPROM development system.
- Checks for misplaced and reversed insertion, and shorts on data lines.
- Memory mapped video output allows full use of powerful editing facilities.
- Built-in LED display for field use.
- Powerful editing facilities include: Block/Byte move, insert, delete, match, highlight, etc.
- Comprehensive input/output – RS232C serial port, parallel port, cassette, printer O/P, DMA.
- Extra 1k x 8 scratchpad RAM for block moving.

- livery ● BSC4 Buffered emulation cable – £39
- BP4 (TEXAS) Bipolar PROM Module – £190
- Prinz video monitor – £99
- UV141 EPROM Eraser with timer – £78
- GP100A 80 column printer – £225
- GR1 Centronics interface – £65

VAT should be added to all prices

DISTRIBUTORS REQUIRED

EXPORT ENQUIRIES WELCOME

GP Industrial Electronics Ltd.

Tel: Plymouth (0752) 332961
Telex: 42513

Unit E, Huxley Close, Newnham Industrial Estate, Plymouth PL7 4JN

WW – 017 FOR FURTHER DETAILS

WIRELESS WORLD DECEMBER 1983



FROM STOCK

- Checks, Programs, Compares up to 8 devices simultaneously
- Handles all EPROMS up to 128K with no personality modules or characterisers – See list
- Easy to use, menu driven operation for blankcheck, program, verify, illegal bit check, checksum, self-test
- Constant display of device type, mode and fault codings
- Individual socket LED indicators for EPROM status
- Comprehensive EPROM integrity checks – Illegal bit check, data and address shorts, constant power line monitoring
- Full safeguard protection on all sockets
- Automatic machine self-test routine
- RS232C interface supplied as standard
- Powered down sockets
- Cost effective price – £695 + VAT
- Available from stock

Write or phone for more details

DISTRIBUTORS REQUIRED

EXPORT ENQUIRIES WELCOME

GP Industrial Electronics Ltd.

Tel: Plymouth (0752) 332961
Telex: 42513

Unit E, Huxley Close, Newnham Industrial Estate, Plymouth PL7 4JN

WW – 017 FOR FURTHER DETAILS

WIRELESS WORLD DECEMBER 1983

- 2704
- 2708
- 2716(3)
- 2508
- 2758A
- 2758B
- 2516
- 2716
- 27C16
- 48016
- 2532
- 2732
- 27C32
- 2732A
- 68732-0
- 68732-1
- 68766
- 68764
- 2764
- 27C64
- 2564
- MK2764
- 25128
- 27128

EuroCUBE 6502/6809—EuroBEEB—BEEBEX

The expanding range of CUBE control boards

BBC BASIC
now on
Eurocard

EuroCUBE is just one small 100x160mm Eurocard—but it is a single-board computer of exceptional power and versatility.

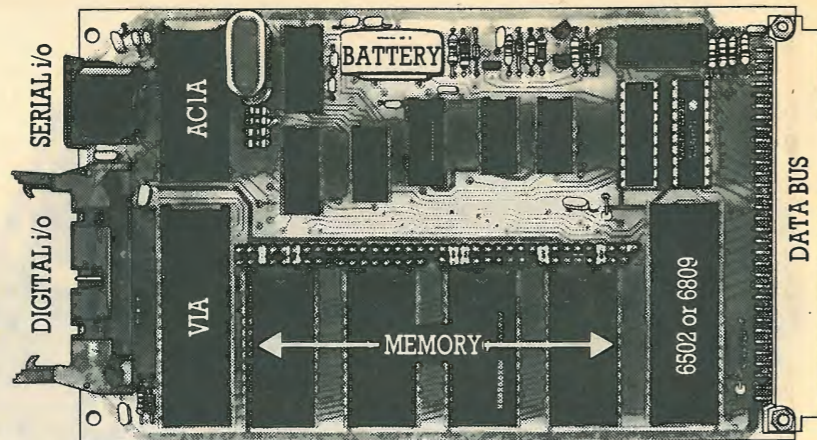
- 6809 or 6502 Microprocessors available.
- Four memory sockets, each 28 pin. Supports RAM, ROM, EPROM—from 2KB to 32KB each.
- Battery Back-up for CMOS RAM
- Dual CPU clock mode—2 MHz for memory, 1 MHz for i/o
- VIA provides 20 digital i/o channels.
- ACIA provides a bi-directional RS-232/423/422 serial port. On-board programmable baud-rate generator.
- PROM address decoding.
- Machine Operating System included free of charge.

EuroBEEB—EuroCUBE with BBC BASIC—The MOS included on EuroCUBE, provides an environment in which languages can be run, and is available in two main versions:

- MOS A — supports ATOM BASIC
- MOS B — supports BBC BASIC

EuroCUBE fitted with MOS B can run BBC BASIC. In its simplest form, with 4KB RAM fitted for work space, a BBC BASIC program in EPROM could control the two 8-bit ports and the serial interface, in addition to any other cards connected to the CUBE expansion bus.

BEEBEX, another recent addition to the CUBE range, is a simple, low-cost Eurocard which interfaces to the 1 MHz bus connection on the BBC Microcomputer, enabling it to communicate with the entire range of CUBE/Acorn Eurocards.



EuroCUBE £ 139.00

One-off price excluding VAT
No charge for Operating System Software

CUBE RANGE

includes video, analog & digital
i/o, prom programming, disks, etc.

Control Universal's new 150 page catalogue and technical overview is now available free of charge. Explanatory leaflets are also available on the CUBE range, and on our Eurocard extensions to the BBC Microcomputer.



Unit 2, Andersons Court,
Newnham Road, Cambridge CB3 9EZ
Telephone (0223) 358757
Telex 995801-G (C13)

WW - 058 FOR FURTHER DETAILS

FREE CASE with each Digital Meter ordered during November

Accurate Digital Multimeters at Exceptional Prices

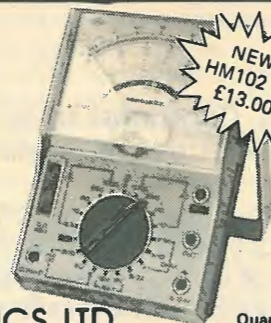
28 RANGES
EACH WITH
FULL
OVERLOAD
PROTECTION



6010
±.5% Accuracy
£29.95

6010 & 7030 MODELS SPECIFICATION

- 10 amp AC/DC Battery: single 9V drycell. Life: 200 hrs
- Dimensions: 170 x 89 x 38mm.
- Weight: 400g inc. battery.
- Mode Select: Push Button
- AC DC Current: 200µA to 10A
- AC Voltage: 200mV to 750V
- DC Voltage: 200mV to 1000V
- Resistance: 200Ω to 20MΩ
- Input Impedance: 10MΩ
- Display: 3 1/2 Digit 13mm LCD
- Overload Protection: All ranges



NEW
HM102 BZ
£13.00

ANALOGUE HM102BZ WITH CONTINUITY Buzzer and BATTERY SCALE

- DC Voltage: 0-25, 1, 2.5, 10, 25, 100, 250, 1000 volts 20,000 ohms/volt.
- AC Voltage: 0-10, 25, 100, 250, 1000 volts 10,000 ohms/volt.
- Decibels: -20 to +22dB
- DC Current: 0-50, 500µA, 0-5, 50, 50mA 10A.
- Ohmmeter: 0-6 Megohms in 4 ranges.
- Power Supply: One 1.5V size 'A' battery (incl)
- Size & Weight: 135 x 91 x 39mm, 280gr.

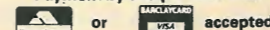
OTHER features: Auto polarity, auto zero, battery low indicator, ABS plastic case with tilt stand, battery and test leads included, optional carrying case.



ARMON ELECTRONICS LTD.

Cottrell House, 53-63 Wembley Hill Road
Wembley, Middlesex HA9 8BH, England
Telephone: 01-902 4321 (3 lines). TELEX No. 923985

Quantity discount for trade on application
Add 15% to your order for V.A.T. P&P is free of charge
Payment by cheque with order



WW - 047 FOR FURTHER DETAILS

TO BE CRYSTAL CLEAR
Tel. 029-34-5353 Telex 87116 Aero G
MOD approved CAA approved

WW - 032 FOR FURTHER DETAILS

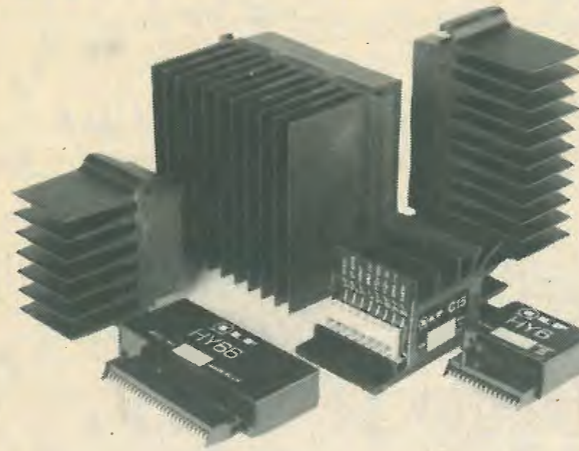
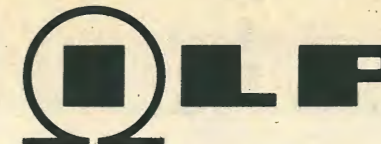
STEREO STABILIZER

- Rack mounting frequency shifter for howl reduction in public address and sound reinforcement
- Mono version and box types also available

SURREY ELECTRONICS, The Forge, Luck's Green
Cranleigh, Surrey GU6 7BG
Telephone: 0483 275997

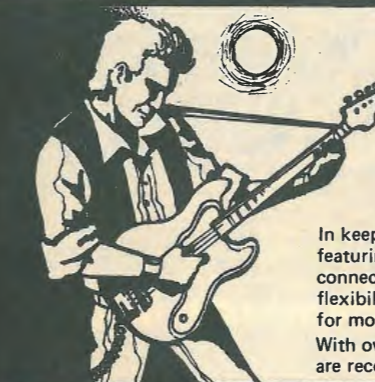
WIRELESS WORLD DECEMBER 1983

AMPLIFIERS



Over the last few years we have received feedback via the general public and industry that our products are from Taiwan, Singapore, Japan, etc... ILP are one of the few 'All British' electronics Companies manufacturing their own products in the United Kingdom. We have proved that we can compete in the world market during the past 12 years and currently export in excess of 60% of our production to over twenty different countries — including USA, Australia and Hong Kong. At the same time we are able to invest in research and development for the future, assuring security for the personnel, directly and indirectly, employed within the UK. We feel very proud of all this and hope you can reap some of our success.

I.L.Potts — Chairman



WE'RE INSTRUMENTAL IN MAKING A LOT OF POWER

In keeping with ILP's tradition of entirely self-contained modules featuring, integral heatsinks, no external components and only 5 connections required, the range has been optimized for efficiency, flexibility, reliability, easy usage, outstanding performance, value for money.

With over 10 years experience in audio amplifier technology ILP are recognised as world leaders.



BIPOLAR MODULES

Module Number	Output Power Watts rms	Load Impedance Ω	T.H.D. Typ at 1KHz	I.M.D. 60Hz/7KHz 4:1	Supply Voltage Typ	Size mm	WT gms	Price inc. VAT
HY30	15	4-8	0.015%	<0.006%	± 18	76 x 68 x 40	240	£8.40
HY60	30	4-8	0.015%	<0.006%	± 25	76 x 68 x 40	240	£9.55
HY6060	30 + 30	4-8	0.015%	<0.006%	± 25	120 x 78 x 40	420	£18.69
HY124	60	4	0.01%	<0.006%	± 26	120 x 78 x 40	410	£20.75
HY128	60	8	0.01%	<0.006%	± 35	120 x 78 x 40	410	£20.75
HY244	120	4	0.01%	<0.006%	± 35	120 x 78 x 50	520	£25.47
HY248	120	8	0.01%	<0.006%	± 50	120 x 78 x 50	520	£25.47
HY364	180	4	0.01%	<0.006%	± 45	120 x 78 x 100	1030	£38.41
HY368	180	8	0.01%	<0.006%	± 60	120 x 78 x 100	1030	£38.41

Protection: Full load line. Slew Rate: 15V/µs. Rise time: 5µs. S/N ratio: 100db. Frequency response (-3dB) 15Hz - 50KHz. Input sensitivity: 500mV rms. Input Impedance: 100K Ω. Damping factor: 100Hz > 400.

PRE-AMP SYSTEMS

Module Number	Module	Functions	Current Required	Price inc. VAT
HY6	Mono pre amp	Mic/Mag. Cartridge/Tuner/Tape/Aux + Vol/Bass/Treble	10mA	£7.60
HY66	Stereo pre amp	Mic/Mag. Cartridge/Tuner/Tape/Aux + Vol/Bass/Treble/Balance	20mA	£14.32
HY73	Guitar pre amp	Two Guitar (Bass Lead) and Mic + separate Volume Bass Treble + Mix	20mA	£15.36
HY78	Stereo pre amp	As HY66 less tone controls	20mA	£14.20

Most pre-amp modules can be driven by the PSU driving the main power amp. A separate PSU 30 is available purely for pre amp modules if required for £5.47 (inc. VAT). Pre-amp and mixing modules in 18 different variations. Please send for details.

Mounting Boards

For ease of construction we recommend the B6 for modules HY6-HY13 £1.05 (inc. VAT) and the B66 for modules HY66-HY78 £1.29 (inc. VAT).

POWER SUPPLY UNITS (Incorporating our own toroidal transformers)

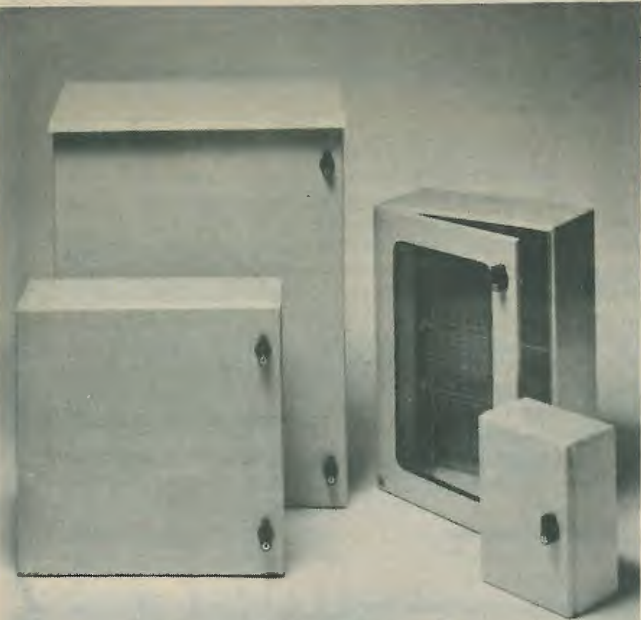
Model Number	For Use With	Price inc. VAT	Model Number	For Use With	Price inc. VAT	Model Number	For Use With	Price inc. VAT
PSU 21X	1 or 2 HY30	£11.93	PSU 52X	2 x HY124	£17.07	PSU 72X	2 x HY248	£22.54
PSU 41X	1 or 2 HY60, 1 x HY6060, 1 x HY124	£13.83	PSU 53X	2 x MOS128	£17.86	PSU 73X	1 x HY364	£22.54
PSU 42X	1 x HY128	£15.90	PSU 54X	1 x HY248	£17.86	PSU 74X	1 x HY368	£24.20
PSU 43X	1 x MOS128	£16.70	PSU 55X	1 x MOS248	£19.52	PSU 75X	2 x MOS248, 1 x MOS368	£24.20
PSU 51X	2 x HY128, 1 x HY244	£17.07	PSU 71X	2 x HY244	£21.75			

Please note: X in part no. indicates primary voltage. Please insert "0" in place of X for 110V, "1" in place of X for 220V, and "2" in place of X for 240V.

ILP Electronics Ltd.

Graham Bell House, Roper Close
Canterbury CT2 7EP, Kent, England
Telephone: (0227) 54778. Telex: 965780.

WW - 018 FOR FURTHER DETAILS



SAREL'S 8000 SERIES SET THE STANDARD

- Protects against ingress of dust and liquids IP55 (BS5490 1977, IEC 529 1976).
- 1.5 and 1.75mm steel bodies and 2mm steel doors.
- Smaller sizes fitted with advanced polyurethane gaskets. Larger sizes (600 x 600 and above) fitted with neoprene gaskets.
- Wide range of chassis systems including plates DIN rail, telequick and gland plates.
- Standard finish is textured beige polyester powder paint.
- Glazed doors — wide choice from stock.



Think big — think Sarel
Sarel Limited
Cosgrove Way, Luton, Beds. Tel: Luton 20121

Please send me full details of how Sarel's 8000 Series of cabinets and accessories set the standard.

Name _____

Position _____

Company _____

Address _____

Tel: _____

Sarel Limited, Cosgrove Way, Luton, Beds

WW - 045 FOR FURTHER DETAILS

Sowter Transformers

With 40 years' experience in the design and manufacture of several hundred thousand transformers we can supply:

**AUDIO FREQUENCY
TRANSFORMERS OF EVERY TYPE
YOU NAME IT! WE MAKE IT!
OUR RANGE INCLUDES**

Microphone transformers (all types), Microphone Splitter/Combiner transformers, Input and Output transformers, Direct Injection transformers for Guitars, Multi-Secondary output transformers, Bridging transformers, Line transformers, Line transformers to G.P.O. Isolating Test Specification, Tapped impedance matching transformers, Gramophone Pickup transformers, Audio Mixing Desk transformers (all types), Miniature transformers, Microminiature transformers for PCB mounting, Experimental transformers, Ultra low frequency transformers, Ultra linear and other transformers for Transistor and Valve Amplifiers up to 500 watts, Inductive Loop Transformers, Smoothing Chokes, Filter, Inductors, Amplifier to 100 volt line transformers (from a few watts up to 1,000 watts), 100 volt line transformers to speakers, Speaker matching transformers (all powers), Column Loudspeaker transformers up to 300 watts or more.

We can design for RECORDING QUALITY, STUDIO QUALITY, HI-FI QUALITY OR P.A. QUALITY. OUR PRICES ARE HIGHLY COMPETITIVE AND WE SUPPLY LARGE OR SMALL QUANTITIES AND EVEN SINGLE TRANSFORMERS. Many standard types are in stock and normal dispatch times are short and sensible. OUR CLIENTS COVER A LARGE NUMBER OF BROADCASTING AUTHORITIES, MIXING DESK MANUFACTURERS, RECORDING STUDIOS, HI-FI ENTHUSIASTS, BAND GROUPS, AND PUBLIC ADDRESS FIRMS. Export is a speciality and we have overseas clients in the COMMONWEALTH, E.E.C., USA, MIDDLE EAST, etc. Send for our questionnaire which, when completed, enables us to post quotations by return.

E. A. Sowter Ltd.

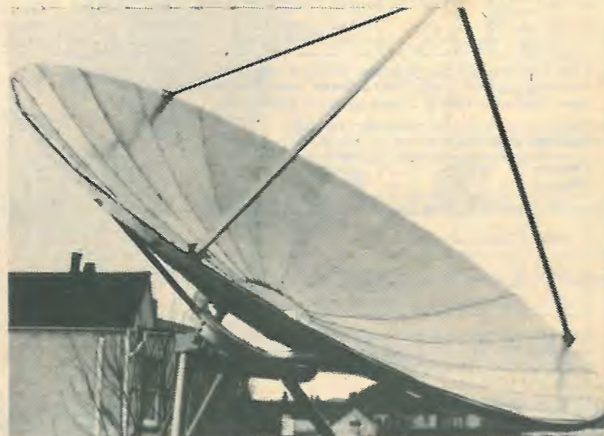
Manufacturers and Designers

E. A. SOWTER LTD. (Established 1941) · Reg. No. England 303990
The Boat Yard, Cullingham Road, Ipswich IP1 2EG, Suffolk
P.O. Box 36, Ipswich, IP1 2EL, England
Phone: 0473 52794 and 0473 219390
Telex 987703G Sowter

WW - 013 FOR FURTHER DETAILS

HBED

6FT. PARABOLIC DISHES FROM ONLY £85 PLUS V.A.T.



6ft. dia. dishes, feed horns and electronics for use in 4GHz satellite reception. GaAs Fet transistors, SMA connectors, P.T.F.E., etc. available.

Please send s.a.e. for full details and data sheets.

Harrison Bros.

Electronic Distributors

22 Milton Road, Westcliff-on-Sea, Essex SS0 7JX
Tel. Southend (0702) 332338

WW - 012 FOR FURTHER DETAILS

Until now, finding out about home computers was about as simple as

focusing your right eye here

and your left eye here.

Mind boggling isn't it? But now there's Computer Choice, a new monthly magazine that gives you the facts and advice you need to choose your first home computer.

And when you've bought your computer it also helps you get the most out of it.

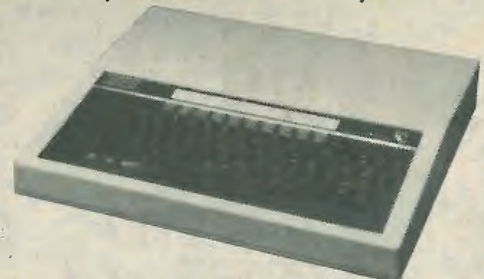
The first issue is out now for 60p and includes our



special Buyer's Guide on micros under £200, a comparison of the Oric, Spectrum and Sord and a report on what Oric owners like and dislike about their computers and software. As well as an article on how to learn Basic and reviews of all the latest games and software. Plus lots more to make choosing a computer easy. And owning one fun.

BBC Micro Computer System
OFFICIAL DEALER

Please phone for availability



BBC Model B £347
+ carr £7/unit
Model A to Model B
Upgrade Kit £60
Installation £15

LANGUAGE ROMs
BCPL Rom + Disc + Manual £87
PASCAL-T Rom £45
WORD PROCESSOR ROMs
VIEW 16k Rom £52
WORDWISE 8k Rom £34

Software from ACORN/ST/PROGRAM POWER/GEMINI in stock

CASSETTE RECORDER

SANYO Data Recorder DR101
A superior quality data recorder with dedicated computer output and monitoring facility on both record and play £39.50 + £1.50 carr.
SLIMLINE Cassette Recorder complete with counter and remote control £24.50 + £1.50 carr.
BBC Recorder £27
Computer Grade Cassettes
£0.50 each. £4.50 for 10 + £1 carr
Cassette lead £3.50.

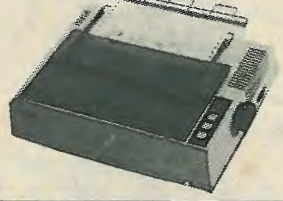
MONITORS

MICROVITEC 14in RGB Monitors

1431 Std. Res Monitor £215
1451 Med Res Monitor £345
1441 Hi Res Monitor £440
12" KAGA RGB I £235 RGB III £399
12" Hi Res Green SANYO £99 KAGA £106

PRINTERS

EPSON RX80 FT £305
EPSON FX80 £370
EPSON FX100 £565
EPSON MX100 £400
Carriage/Printer £7



NEC PC 8023 BE-N £320
SEIKOSHA GP100A £170
SEIKOSHA GP250A £210
Parallel Printer Cable £12
Serial Printer Cable £8

Variety of Printer Interfaces in stock
2000 fanfold sheets £13.50 + £3 p.&p.

FLOPPY DISC INTERFACE
£95 & £15 installation

BBC COMPATIBLE DISC DRIVES

All drives are supplied with necessary cables
Single Drive without PSU: 100k £150; 200k £215; 400k £265
Single Drive with PSU: 100k £185; 200k £260*; 400k £330
Dual Drives with PSU: 2x100k £355; 2x200k £475*;
2x400k £540
* These drives are switchable 40/80 drives.
40/80 Switch Module for 1x400k and 2x400k Drive £32
DISKETTES
40 track SS £15; 80 track SSDD £22
80 track DSDD £26
BBC FLOPPICLENE DRIVE HEAD
Cleaning kit with 50 disposable discs £17

Phone or send for our BBC leaflet

TORCH Z-80 PACK

Your B.B.C. computer can be converted into a business machine at a cost slightly higher than an 800k disc drive. The Torch pack with twin disc drive and a Z80A processor card greatly enhances the data storing and processing capability of the computer. (NOTE: In BBC mode the disc pack functions as a normal BBC drive.) Z80A card comes with 64k of RAM and a CP/M compatible operating system. The system is supplied complete with a BBC owner's user guide, a Systems/Demo disc, a PERFECT software package and COMANEX, a business management game. The PERFECT software package comprises of a DATABASE, CALC, WORDPROCESSOR and SPELLER commercially valued at over £1,000. The complete package for only £730. Installation £20. Carr. £8.

SIDEWAYS ROM EXPANSION BOARD

SREB provides 8 additional sockets for expanding the computer's sideways ROM capacity by a further 128k (2764s consume 40mA on standby and in our opinion 8 ROMs will not overload the computer psu). The board is dimensioned ensuring clearance of components with adequate ventilation. Fully assembled and tested board with fitting instruction. With 11 sockets £25. With turned pin sockets £30. P. & P. £2.

BOOKS (no VAT; p&p £1)

Assembly Lang Prog. for BBC £8.95
Assembly Lang programming on BBC
Micro by Ferguson and Shaw £7.95
Basic Prog. for BBC £5.95
BBC An Expert Guide £6.95
Easy Programming on BBC £5.95
Further Programming on BBC £5.95
Introducing BBC Micro £5.95
Programming the BBC £6.50
30 Hour Basic £5.95
35 Educational Programs £6.95
BBC Sound & Graphics £7.95
Creating Adventure Programs £6.95
Discovering Machine Code £6.95
Structured Programming £6.50
The Friendly Computer Book BBC £4.50
Beyond Basic BBC £7.25

UV ERASERS

The following erasers are all fitted with safety interlocks and mains switches with indicators.
UV1B up to 6 Eproms £47
UV1T as above but with timer £59
UV140 up to 14 Eproms £61
UV141 as above but with timer £79

★ **SPECIAL OFFER** ★
2532 £3.50 27128-3 £18
2732 £3.50 4164-2 £4.50
2764-25 £5 6116P-3 £3.50

CONNECTOR SYSTEMS

I.D. CONNECTORS (Speedblock Type)		JUMPER LEADS 24" Ribbon Cable with Headers		AMPHENOL CONNECTORS		RIBBON CABLE (Grey/meter)	
No of ways	Header Receptacle Edge Conn.	14-pin 16-pin 24-pin 40-pin	145p 165p 240p 350p	36-way plug Centronics Parallel Solder £5.25	36-way socket Centronics Parallel Solder £5.50	10-way 80p	
10 90p	85p 120p	24-pin 20-pin 34-pin 40-pin	210p 230p 345p 540p	24-way plug IEEE Solder £5	24-way socket IEEE Solder £5	16-way 80p	
20 145p	125p 195p	1 end 160p 200p 280p 300p				20-way 85p	
26 175p	150p 240p	2 ends 290p 370p 480p 525p				26-way 120p	
34 200p	160p 320p					34-way 160p	
40 220p	190p 340p					40-way 180p	
50 235p	200p 390p					50-way 200p	
						64-way 290p	
D CONNECTORS		RS 232 JUMPERS (25-way D)		EURO CONNECTORS		EDGE CONNECTORS	
MALE	80p 105p 160p 250p	24" Single end Male £5.00		DIN 41617	Plug Skt.	0.1" 0.156"	
Solder Angled	150p 210p 250p 350p	24" Single end Female £5.25		21-way	160p 165p	140p	
FEMALE		24" Male-Female £10.00		31-way	170p	170p	
Solder Angled	105p 160p 200p 335p	24" Male-Male £9.50					
Hoods	90p 85p 90p 100p	24" Male-Female £9.50					
ICD 25-way plug	385p Socket 450p						
TEXT TOOL ZIF		DIL HEADERS		TEST CLIPS			
SOCKETS	24-pin £5.75 40-pin £9.75	14pin 40p		14-pin 275p	40-pin £6	16-pin £3	
DIL		20pin 50p					
4-way 70p		24pin 100p					
6-way 85p		28pin 150p					
		40pin 225p					
4-WAY SWITCHES							
4-way 70p	8-way 90p						
6-way 85p	10-way 140p						

LIGHT PEN

(RH-1). A superior design, with a 'push tip', status indicator LED, and an interface box that plugs into the user port. Comes with manual, full software and four Basic demonstration programs £39.50.

SMARTMOUTH

The 'infinite vocabulary' self-contained speech synthesiser unit. Uses only 5-10 bytes per word - no ROMs required - simply plugs into the user port. (Has Aux. Audio output skt.). Supplied with Demo/Development programs and simple software instructions, £37 + £2 p. & p.

NEW COMPREHENSIVE CATALOGUE AVAILABLE - PLEASE SEND FOR PRICE LIST

74 SERIES	74259 150p 74265 55p 74273 120p 74276 120p 74282 100p 74283 55p 74285 160p 74286 160p 74290 150p 74293 90p 74298 120p 74301 150p 74311 25p 74365A 48p 74366A 48p 74367A 48p 74368A 48p 74376 100p 74390 90p 74393 150p 74490 120p 74LS00 20p 74LS01 20p 74LS02 20p 74LS03 20p 74LS04 20p 74LS05 20p 74LS08 20p 74LS10 20p 74LS12 20p 74LS13 28p 74LS14 45p 74LS15 20p 74LS16 20p 74LS17 20p 74LS18 20p 74LS19 20p 74LS20 20p 74LS21 20p 74LS22 20p 74LS23 20p 74LS24 20p 74LS25 20p 74LS26 20p 74LS27 20p 74LS28 20p 74LS29 20p 74LS30 20p 74LS32 20p 74LS33 20p 74LS37 20p 74LS38 80p 74LS40 20p 74LS42 45p 74LS47 20p 74LS48 60p 74LS51 20p 74LS54 20p 74LS55 20p 74LS57 36p 74LS57A 27p 74LS58 60p 74LS59 30p 74LS60 32p 74LS61 50p 74LS62 50p 74LS63 50p 74LS64 50p 74LS65 50p 74LS66 50p 74LS67 50p 74LS68 50p 74LS69 50p 74LS70 50p 74LS71 50p 74LS72 50p 74LS73 50p 74LS74 1p 74LS75 1p 74LS76 3p 74LS77 3p 74LS78 3p 74LS79 3p 74LS80 3p 74LS81 3p 74LS82 3p 74LS83 3p 74LS84 3p 74LS85 3p 74LS86 3p 74LS87 3p 74LS88 3p 74LS89 3p 74LS90 3p 74LS91 3p 74LS92 40p 74LS93 32p 74LS95 50p 74LS96 50p 74LS97 33p 74LS98 33p 74LS100 33p 74LS101 33p 74LS102 33p 74LS103 33p 74LS104 33p 74LS105 33p 74LS106 33p 74LS107 33p 74LS108 33p 74LS109 33p 74LS110 33p 74LS111 33p 74LS112 33p 74LS113 33p 74LS114 33p 74LS115 33p 74LS116 33p 74LS117 33p 74LS118 33p 74LS119 33p 74LS120 33p 74LS121 33p 74LS122 33p 74LS123 33p 74LS124 33p 74LS125 33p 74LS126 33p 74LS127 33p 74LS128 33p 74LS129 33p 74LS130 33p 74LS131 33p 74LS132 33p 74LS133 33p 74LS134 33p 74LS135 33p 74LS136 33p 74LS137 33p 74LS138 33p 74LS139 33p 74LS140 33p 74LS141 33p 74LS142 33p 74LS143 33p 74LS144 33p 74LS145 33p 74LS146 33p 74LS147 33p 74LS148 33p 74LS149 33p 74LS150 33p 74LS151 33p 74LS152 33p 74LS153 33p 74LS154 33p 74LS155 33p 74LS156 33p 74LS157 33p 74LS158 33p 74LS159 33p 74LS160 33p 74LS161 33p 74LS162 33p 74LS163 33p 74LS164 33p 74LS165 33p 74LS166 33p 74LS167 33p 74LS168 33p 74LS169 33p 74LS170 33p 74LS171 33p 74LS172 33p 74LS173 33p 74LS174 33p 74LS175 33p 74LS176 33p 74LS177 33p 74LS178 33p 74LS179 33p 74LS180 33p 74LS181 33p 74LS182 33p 74LS183 33p 74LS184 33p 74LS185 33p 74LS186 33p 74LS187 33p 74LS188 33p 74LS189 33p 74LS190 33p 74LS191 33p 74LS192 33p 74LS193 33p 74LS194 33p 74LS195 33p 74LS196 33p 74LS197 33p 74LS198 33p 74LS199 33p 74LS200 33p 74LS201 33p 74LS202 33p 74LS203 33p 74LS204 33p 74LS205 33p 74LS206 33p 74LS207 33p 74LS208 33p 74LS209 33p 74LS210 33p 74LS211 33p 74LS212 33p 74LS213 33p 74LS214 33p 74LS215 33p 74LS216 33p 74LS217 33p 74LS218 33p 74LS219 33p 74LS220 33p 74LS221 33p 74LS222 33p 74LS223 33p 74LS224 33p 74LS225 33p 74LS226 33p 74LS227 33p 74LS228 33p 74LS229 33p 74LS230 33p 74LS231 33p 74LS232 33p 74LS233 33p 74LS234 33p 74LS235 33p 74LS236 33p 74LS237 33p 74LS238 33p 74LS239 33p 74LS240 33p 74LS241 33p 74LS242 33p 74LS243 33p 74LS244 33p 74LS245 33p 74LS246 33p 74LS247 33p 74LS248 33p 74LS249 33p 74LS250 33p 74LS251 33p 74LS252 33p 74LS253 33p 74LS254 33p 74LS255 33p 74LS256 33p 74LS257 33p 74LS258 33p 74LS259 33p 74LS260 33p 74LS261 33p 74LS262 33p 74LS263 33p 74LS264 33p 74LS265 33p 74LS266 33p 74LS267 33p 74LS268 33p 74LS269 33p 74LS270 33p 74LS271 33p 74LS272 33p 74LS273 33p 74LS274 33p 74LS275 33p 74LS276 33p 74LS277 33p 74LS278 33p 74LS279 33p 74LS280 33p 74LS281 33p 74LS282 33p 74LS283 33p 74LS284 33p 74LS285 33p 74LS286 33p 74LS287 33p 74LS288 33p 74LS289 33p 74LS290 33p 74LS291 33p 74LS292 33p 74LS293 33p 74LS294 33p 74LS295 33p 74LS296 33p 74LS297 33p 74LS298 33p 74LS299 33p 74LS300 33p 74LS301 33p 74LS302 33p 74LS303 33p 74LS304 33p 74LS305 33p 74LS306 33p 74LS307 33p 74LS308 33p 74LS309 33p 74LS310 33p 74LS311 33p 74LS312 33p 74LS313 33p 74LS314 33p 74LS315 33p 74LS316 33p 74LS317 33p 74LS318 33p 74LS319 33p 74LS320 33p 74LS321 33p 74LS322 33p 74LS323 33p 74LS324 33p 74LS325 33p 74LS326 33p 74LS327 33p 74LS328 33p 74LS329 33p 74LS330 33p 74LS331 33p 74LS332 33p 74LS333 33p 74LS334 33p 74LS335 33p 74LS336 33p 74LS337 33p 74LS338 33p 74LS339 33p 74LS340 33p 74LS341 33p 74LS342 33p 74LS343 33p 74LS344 33p 74LS345 33p 74LS346 33p 74LS347 33p 74LS348 33p 74LS349 33p 74LS350 33p 74LS351 33p 74LS352 33p 74LS353 33p 74LS354 33p 74LS355 33p 74LS356 33p 74LS357 33p 74LS358 33p 74LS359 33p 74LS360 33p 74LS361 33p 74LS362 33p 74LS363 33p 74LS364 33p 74LS365 33p 74LS366 33p 74LS367 33p 74LS368 33p 74LS369 33p 74LS370 33p 74LS371 33p 74LS372 33p 74LS373 33p 74LS374 33p 74LS375 33p 74LS376 33p 74LS377 33p 74LS378 33p 74LS379 33p 74LS380 33p 74LS381 33p 74LS382 33p 74LS383 33p 74LS384 33p 74LS385 33p 74LS386 33p 74LS387 33p 74LS388 33p 74LS389 33p 74LS390 33p 74LS391 33p 74LS392 33p 74LS393 33p 74LS394 33p 74LS395 33p 74LS396 33p 74LS397 33p 74LS398 33p 74LS399 33p 74LS400 33p 74LS401 33p 74LS402 33p 74LS403 33p 74LS404 33p 74LS405 33p 74LS406 33p 74LS407 33p 74LS408 33p 74LS409 33p 74LS410 33p 74LS411 33p 74LS412 33p 74LS413 33p 74LS414 33p 74LS415 33p 74LS416 33p 74LS417 33p 74LS418 33p 74LS419 33p 74LS420 33p 74LS421 33p 74LS422 33p 74LS423 33p 74LS424 33p 74LS425 33p 74LS426 33p 74LS427 33p 74LS428 33p 74LS429 33p 74LS430 33p 74LS431 33p 74LS432 33p 74LS433 33p 74LS434 33p 74LS435 33p 74LS436 33p 74LS437 33p 74LS438 33p 74LS439 33p 74LS440 33p 74LS441 33p 74LS442 33p 74LS443 33p 74LS444 33p 74LS445 33p 74LS446 33p 74LS447 33p 74LS448 33p 74LS449 33p 74LS450 33p 74LS451 33p 74LS452 33p 74LS453 33p 74LS454 33p 74LS455 33p 74LS456 33p 74LS457 33p 74LS458 33p 74LS459 33p 74LS460 33p 74LS461 33p 74LS462 33p 74LS463 33p 74LS464 33p 74LS465 33p 74LS466 33p 74LS467 33p 74LS468 33p 74LS469 33p 74LS470 33p 74LS471 33p 74LS472 33p 74LS473 33p 74LS474 33p 74LS475 33p 74LS476 33p 74LS477 33p 74LS478 33p 74LS479 33p 74LS480 33p 74LS481 33p 74LS482 33p 74LS483 33p 74LS484 33p 74LS485 33p 74LS486 33p 74LS487 33p 74LS488 33p 74LS489 33p 74LS490 33p 74LS491 33p 74LS492 33p 74LS493 33p 74LS494 33p 74LS495 33p 74LS496 33p 74LS497 33p 74LS498 33p 74LS499 33p 74LS500 33p	74259 150p 74265 55p 74273 120p 74276 120p 74282 100p 74283 55p 74285 160p 74286 160p 74290 150p 74293 90p 74298 120p 74301 150p 74311 25p 74365A 48p 74366A 48p 74367A 48p 74368A 48p 74376 100p 74390 90p 74393 150p 74490 120p 74LS00 20p 74LS01 20p 74LS02 20p 74LS03 20p 74LS04 20p 74LS05 20p 74LS08 20p 74LS10 20p 74LS12 20p 74LS13 28p 74LS14 45p 74LS15 20p 74LS16 20p 74LS17 20p 74LS18 20p 74LS19 20p 74LS20 20p 74LS21 20p 74LS22 20p 74LS23 20p 74LS24 20p 74LS25 20p 74LS26 20p 74LS27 20p 74LS28 20p 74LS29 20p 74LS30 20p 74LS32 20p 74LS33 20p 74LS37 20p 74LS38 80p 74LS40 20p 74LS42 45p 74LS47 20p 74LS48 60p 74LS51 20p 74LS54 20p 74LS55 20p 74LS57 36p 74LS57A 27p 74LS58 60p 74LS59 30p 74LS60 32p 74LS61 50p 74LS62 50p 74LS63 50p 74LS64 50p 74LS65 50p 74LS66 50p 74LS67 50p 74LS68 50p 74LS69 50p 74LS70 50p 74LS71 50p 74LS72 50p 74LS73 50p 74LS74 1p 74LS75 1p 74LS76 3p 74LS77 3p 74LS78 3p 74LS79 3p 74LS80 3p 74LS81 3p 74LS82 3p 74LS83 3p 74LS84 3p 74LS85 3p 74LS86 3p 74LS87 3p 74LS88 3p 74LS89 3p 74LS90 3p 74LS91 3p 74LS92 40p 74LS93 32p 74LS95 50p 74LS96 50p 74LS97 33p 74LS98 33p 74LS100 33p 74LS101 33p 74LS102 33p 74LS103 33p 74LS104 33p 74LS105 33p 74LS106 33p 74LS107 33p 74LS108 33p 74LS109 33p 74LS110 33p 74LS111 33p 74LS112 33p 74LS113 33p 74LS114 33
------------------	---	--

U.K. RETURN OF POST MAIL ORDER SERVICE, ALSO WORLDWIDE EXPORT SERVICE

RECORD DECKS 240 volt AC. Post £2

Make	Model	Drive	Cartridge	Price
BSR	P170	Rim	Ceramic	£20
GARRARD	6200	Rim	Ceramic	£22
GARRARD	Delux	Belt	Magnetic	£30
GOLDRING	G102	Belt	Magnetic	£30
BSR	P232	12 volt	Magnetic	£24

RCS "MINOR" 10 watt AMPLIFIER KIT £14

This kit is suitable for record players, guitars, tape playback, electronic instruments or small PA systems. Two versions available: Mono, £14; Stereo, £20. Post £1 10W per channel; size 9 1/2 x 3 1/2 in. SAE details. Full instructions supplied. 240V AC mains.

RCS STEREO PRE-AMP KIT. All parts to build this pre-amp. Inputs for high, medium or low imp per channel, with volume control and PC Board £3.50

Can be ganged to make multi-way stereo mixers Post 65p

MAINS TRANSFORMERS

	Post
250-0-250V 80mA, 6.3V 3.5A, 6.3V 1A	£6.00 £2
350-0-350V 250mA, 6.3V 6A CT	£12.00 £2
220V 25ma 6V lamp £3.00	£2.50 £1
250V 60mA, 6V 2A	£4.75 £1
Step-Down 115V to 240V 150W £9.25 50W £10.50 50W £12.00 £2	

GENERAL PURPOSE LOW VOLTAGE

Tapped outputs available	Price Post
2 amp. 3, 4, 5, 6, 8, 9, 10, 12, 15, 18, 25 and 30V	£6.00 £2
1 amp. 6, 8, 10, 12, 16, 18, 20, 24, 30, 36, 40, 48, 60	£5.00 £2
2 amp. 6, 8, 10, 12, 16, 18, 20, 24, 30, 36, 40, 48, 60	£10.50 £2
3 amp. 6, 8, 10, 12, 16, 18, 20, 24, 30, 36, 40, 48, 60	£12.50 £2
5 amp. 6, 8, 10, 12, 16, 18, 20, 24, 30, 36, 40, 48, 60	£16.00 £2
5-8-10-16V 1/2 amp.	£2.50 £1
6V 1/2 amp.	£2.00 £1
6-0-6V 1/2 amp.	£3.50 £1
9V 400mA.	£1.50 £1
9V 3 amp.	£4.50 £1
9-0-9V 50ma	£1.50 £1
9-0-9V 1 amp	£3.50 £1
10-0-10V 2 amps	£4.00 £1
10-30-40V 2 amps	£4.50 £1
12V 100ma	£1.00 £1
12V 750 ma	£2.50 £1
12V 3 amps	£4.50 £1
12-0-12V 2 amps	£4.50 £1
15-0-15V 1 amp	£4.00 £1
15-0-15V 2 amps	£4.50 £1
20V 1 amp	£4.00 £1
20-0-20V 1 amp	£4.50 £1
20-40-60V 1 amp	£4.50 £1
25-0-25V 2 amps	£5.50 £2
28V 1 amp Twice	£6.00 £2
30V 1/2 amp	£4.50 £1
30V 5 amp and	£5.50 £2
17-0-17 2a	£5.50 £1
35V 2 amps	£4.50 £1
TOROIDAL 30-0-30V 4a	£8.50 £2
and 20-0-20V 1/2a	

500mF 12V 15p; 25V 20p; 50V 30p. 1200mF 76V 80p.
1000mF 12V 20p; 25V 35p; 50V 50p; 100V £1.20p.
2000mF 30V 42p; 40V 60p; 100V £1.40; 1500mF 100V £1.20.
2200mF 63V 90p. 2500mF 50V 70p; 3000mF 50V 85p;
4700mF 30V 75p; 40V £1; 63V £1.80.

CAPACITORS WIRE END High Voltage

.001, .002, .003, .005, .01, .02, .03, .05 mfd 400V 10p.
1Mf 400V 14p. 600V 15p. 1000V 25p.
22Mf 350V 12p. 600V 20p. 1000V 30p. 1750V 60p.
47Mf 150V 10p. 400V 25p. 630V 30p. 1000V 60p.

HIGH VOLTAGE ELECTROLYTICS

2/500V 45p	32+32+16/350V 90p	8+16/450V 75p
8/450V 45p	100+100/275V 50p	16+16/350V 80p
16/350V 45p	150+200/275V 50p	32+32/350V 85p
32/500V 95p	32+32+32/450V 95p	32+32/500V £2
32/350V 50p	50+50+50/350V 95p	50+50/300V 50p
50/450V 95p	8+8/500V £1	50+50/350V 80p

BAKER AMPLIFIERS BRITISH MADE

NEW PA150 MICROPHONE PA AMPLIFIER £129
4 channel 8 inputs, dual impedance, 50K-600 ohm 4 channel mixing, volume, treble, bass. Presence controls, Master volume control, echo send return socket. Slave sockets. Post £3.

BAKER 150 Watt AMPLIFIER 4 Inputs £99
Discotheque, Vocal, Public Address Speaker outlets 4, 8 or 16 ohms. Four inputs, 20 mv, 50K ohm. Individual volume controls "Four channel" mixing. Slave output. 16" x 8" x 5 1/2". Wt - 14lb; Master volume control. British made. 12 months' guarantee. 240V AC. 120V to order. All transistor and solid state. Post £2.

100 Volt Line Model £114. MONO SLAVE 150 watt £80.
New Stereo Slave 150+150 watt 300 watt Mono £125. Post 4.

BAKER MOBILE PA AMPLIFIER. All transistor, 60 watt RMS, 12v DC & 240V AC, 4 inputs 50k. Aux + 2 mics + 1 phone. Outputs 4-8-16 ohm + 100 volt line, £89 p.p. £2

BAKER PORTABLE DISCO 150w. Twin console + amplifier + mike and headphones + twin speakers £300. 300 watt version Complete £399. Carriage £30 Console + decks + pre-amp only £107.

PA CABINET SPEAKERS. Complete. 8 ohm 60 watt 17x15x9in. £25. Post £4. 4 or 8 or 16 ohm 75 watt 23x15x11in. £50. 90 watt 32x15x11in. £63. 120 watt £77. Carr. £10. Black vinyl covered with handles.
WATERPROOF HORNS 8 ohms. 25 watt £20. 30 watt £23. 40 watt £26. 40W plus 100 volt line £32. Post £2.

FAMOUS BAKER LOUDSPEAKERS

MODEL	INCHES	OHMS	WATTS	TYPE	PRICE POST
MAJOR	12	4-8-16	30	HI-FI	£16 £2
SUPERB	12	8-16	30	HI-FI	£26 £2
AUDITORIUM	12	8-16	45	HI-FI	£24 £2
AUDITORIUM	15	8-16	60	HI-FI	£37 £2
GROUP 45	12	4-8-16	45	PA	£16 £2
DG 75	12	4-8-16	75	PA	£20 £2
GROUP 100	12	8-16	100	Disco	£26 £2
DISCO 100	12	8-16	100	Disco	£26 £2
GROUP 100	15	8-16	100	PA	£35 £2
DISCO 100	15	8-16	100	Disco	£35 £2

SPEAKER COVERING MATERIALS. Samples Large S.A.E.
B.A.F. LOUDSPEAKER CABINET WADDING 18in wide 35p ft.

MOTOROLA PIEZO ELECTRIC HORN TWEETER, 3 3/8in. square £5
100 watts. No crossover required. 4-8-16 ohm, 7 1/2 x 3 1/2 in. £10

CROSSOVERS. TWO-WAY 3000 c/s 30 watt £3. 100W £4.
3-way 950 cps/3000 cps. 40 watt rating. £4. 60 watt £6. 100W £8.
LOUDSPEAKER BARGAINS. Please enquire, many others in stock.
4 ohm, 5in, 7x4in, £2.50; 6 1/2in, 8x5in, £3; 8in, £3.50. 6 1/2in 20W £7.50
8 ohm, 2 1/2in, 3in, £2; 5x3in, 6x4in, 7x4in, 5in, £2.50; 6 1/2in, 20W £7.50
8x5in, £3; 8in, £4.50; 10in, £5; 12in, £6. 8in 25W £8.50
15 ohm, 2 1/4in, 3 1/2in, 5x3in, 6x4in, £2.50; 6 1/2in 10W £5. 8in £4. 10in £7.
25 ohm, 3in, £2; 5x3in, 6x4in, 7x4in, £2.50. 120 ohm, 3 1/4in dia. £1.

Dept 1, 337 WHITEHORSE ROAD, CROYDON
Open 9-6. Closed all day Wed. Open Sat. 9-5.
Books and Components Lists 32p stamps. (Minimum post/packing charge 65p.) Access or Barclaycard Visa. Tel: 01-684 1665 for SAME DAY DESPATCH. Cash prices include VAT.

THE "INSTANT" BULK TAPE ERASER £10.50 Post 95p

Suitable for cassettes and all sizes of tape reels. AC mains 200/250V. Hand held size with switch and lead (120 volt to order). Will also demagnetise small tools
Tape Head Demagnetiser only £5.

ALUMINIUM CHASSIS. 2 1/2in deep 6x4-£1.75; 8x6-£2.20;

10x7-£2.75; 12x8-£3.20; 14x9-£3.60; 16x6-£3; 16x10-£3.80; 12x3 £2.20; 14x3 £2.50; 13x9 £2.80.

ALUMINIUM PANELS. 6x4-55p; 8x6-90p; 14x3-90p;

10x7-£1.15; 12x8-£1.30; 12x5-90p; 16x6-£1.30; 14x9-£1.75; 12x12-£1.80; 16x10-£2.10.

ALUMINIUM BOXES. 4x4x1 1/2 £1.20. 4x2 1/2x2 £1.20.

3x2x1 £1.20. 6x4x2 £1.90. 7x5x3 £2.90. 8x6x3 £3. 10x7x3 £3.60. 12x5x3 £3.60. 12x8x3 £4.30.

ALI ANGLE BRACKET 6x3x3/4in. 30p.

Pots 5K/2mag LOG or LIN. L/S 50p. DP 90p. Stereo L/S £1.10. DP £1.30. Edge Pot 5L. SP 45p.

MINI-MULTI TESTER

De luxe pocket size precision moving coil instrument. Impedance + Capacity - 4000 o.p.v. Battery included. 11 instant ranges measure: DC volts 5.25, 250, 500. AC volts 10, 50, 500, 1000. DC amps 0-7.50 250µA, 0-250mA. Resistance 0 to 600K ohms. Post 50p

De Luxe Range Doubler MULTI-METER

50,000 o.p.v. 7x5x2in. 50 Micro Amp £19.50 Post £1
43 Ranges, 1,000V AC, 20 MEG, 10amp DC

PANEL METERS

50µa, 100µa, 500µa, 1ma, 5ma, 50ma, 100ma, 500ma, 1 amp, 2 amp, 25 volt, VU 2 1/4x2 1/4. Stereo VU 3 1/4x1 1/2x1 1/2. £4.50 Post 50p

RCS SOUND TO LIGHT CONTROL BOX

Complete ready to use with cabinet size 9x3x5in. 3 channel, 1000 watt each. For home or disco
OR KIT OF PARTS £19.50 Post £1

RADIO COMPONENT SPECIALISTS

Books and Components Lists 32p stamps. (Minimum post/packing charge 65p.) Access or Barclaycard Visa. Tel: 01-684 1665 for SAME DAY DESPATCH. Cash prices include VAT. WW-7

WW - 015 FOR FURTHER DETAILS

The AMAZING PLANAR CABLE PRICE LIST

GREY				COLOUR CODED			
PART NO.	NO. OF CONDUCTORS	PRICE PER 100' REEL	APPROX WT. PER REEL/KGS	PART NO.	NO. OF CONDUCTORS	PRICE PER 100' REEL	APPROX WT. PER REEL/KGS
455-240-9	9	£ 7.15	0.75	455-044-9	9	£ 9.01	0.75
455-240-10	10	£ 7.33	0.75	455-044-10	10	£10.01	0.75
455-240-14	14	£10.92	1.10	455-044-14	14	£14.90	1.10
455-240-15	15	£11.70	1.10	455-044-15	15	£15.98	1.10
455-240-16	16	£12.48	1.10	455-044-16	16	£17.03	1.10
455-240-20	20	£13.95	1.40	455-044-20	20	£20.13	1.40
455-240-24	24	£16.76	1.70	455-044-24	24	£24.17	1.70
455-240-25	25	£17.43	1.70	455-044-25	25	£25.18	1.70
455-240-26	26	£18.12	1.70	455-044-26	26	£26.19	1.70
455-240-34	34	£23.70	2.50	455-044-34	34	£34.25	2.50
455-240-37	37	£25.79	2.70	455-044-37	37	£37.16	2.70
455-240-40	40	£27.88	3.00	455-044-40	40	£40.28	2.60
455-240-50	50	£34.84	3.30	455-044-50	50	£50.36	3.10
455-240-60	60	£41.81	4.20	455-044-60	60	£60.43	3.85
455-240-64	64	£44.61	4.40	455-044-64	64	£64.45	4.10

?WHY PAY MORE?

DISCOUNTS AVAILABLE
25 Reels upwards - Please enquire
Cash with Order - Special discount - less 5%. To establish final price, deduct 5% from cable price, add appropriate carriage, then VAT

CARRIAGE AND PACKING
Establish weight of your needs from the Price List, then add:
Not more than 5 Kgs: £2.50
7 Kgs: £3.00
9 Kgs: £3.25
11 Kgs: £3.50
13 Kgs: £3.75
22 Kgs: £4.50

Over 22 Kgs add prices and weights on this chart, e.g. 26.5 Kgs = £7.00
VAT at applicable rate (1.10.83 = 15%)

WE ALSO STOCK OR CAN SUPPLY

CABLE:
SPECTRA-GUARD Extruded Jacketed Cable, TWIST-N-FLAT Planar Cable, SPECTRA-TWIST Planar Cable, SPECTRA-GP Ground Plane Planar Cable, SPECTRA-BOND Planar Cable.

CONNECTORS:
With us you have a choice:- FLEXICON or SPECTRA-STRIP Unprotected Headers - Dip Plugs - Transition - Headers - 'D' (metal and plastic versions) - Dip Low Profile - Sockets.

CUSTOM ASSEMBLIES:
We can provide custom harnesses complete with branches, breakouts and terminations. Naturally we would hope to supply you with FLEXICON or SPECTRA-STRIP Connectors, but we are happy to supply and/or fit Connectors of your choice. Our harnesses are fully engineered and tested and delivered ready to plug into your equipment.

Whether your requirements are for short runs or large volumes, our experience, technology and testing assure delivery of precise harnesses that will meet all your performance and delivery requirements at an affordable price.

Essex Tiny Basic System
The Essex Tiny Basic Computer is an ideal choice for data acquisition and process control systems. Its crystal controlled timer and interrupts provide accurate timing and fast response to critical events while the watchdog timer ensures reliable operation. Programs can be entered and tested from an RS232 terminal, and then be copied into EPROM. Alternatively, development and for program storage. INSTANT ROM is the trademark of Greenwich Instruments.

Essex Buffer Timer
A convenient means of buffering the I/O lines of the Essex Tiny BASIC Computer provides 24 inputs, 16 outputs and four hardware timers.

Essex Opto-Isolator
Connects to the Essex Tiny BASIC System bus to provide an additional 12 opto-isolated system bus and 12 opto-isolated outputs per card for safe connection to external equipment. Isolation voltage = 1500 volts.

Essex Backplane
A four slot backplane with printer and terminal connectors to accept these cards.

Alex
A powerful software utilities package that provides the user with an enhanced editor and all the tools needed to program efficiently in assembly language.
* Text Editor * Assembler * Disassembler * Debug Monitor
Supplied as a 4K EPROM with comprehensive manual.

Essex Electronics Centre
Wivenhoe Park, Colchester, Essex CO4 3SQ
Telephone: Colchester (0206) 865089

Essex Electronics Centre
Wivenhoe Park, Colchester, Essex CO4 3SQ
Telephone: Colchester (0206) 865089

Essex Electronics Centre
Wivenhoe Park, Colchester, Essex CO4 3SQ
Telephone: Colchester (0206) 865089

Essex Electronics Centre
Wivenhoe Park, Colchester, Essex CO4 3SQ
Telephone: Colchester (0206) 865089

hi! reliability hi! service hi!
performance hi! competitive hi!

HIGH SPECIFICATIONS
HIGH PERFORMANCE
HIGH QUALITY

SUPERSCOPIES

HIGH VALUE FOR MONEY
LOW PRICE

TRIO hi!
hi! competitive hi!

House of Instruments
Clifton Chambers, 62 High Street
Saffron Walden, Essex CB10 1EE
Tel: (0799) 24922 Telex: 818750

Extended CREDIT available
MARCLAYCARD
VISA

WW - 062 FOR FURTHER DETAILS

WW - 005 FOR FURTHER DETAILS

The lightweight mast with 101 applications

25
years in this specialist field



The smoothly operated QTM Mast comes fitted with handpump or can be vehicle mounted with 'Power Pack' for extension and retraction. Available in a range of heights up to 15 metres, the QTM mast can provide the ideal answer for:

- Mobile Radio Telephone
- Environmental - gas sampling collector
- Police Mobile HQ (UHF)
- High level photography
- Field Telecommunications
- Meteorology
- Floodlighting
- Anemometer and Wind Measurement
- And a host of other uses

CLARK MASTS

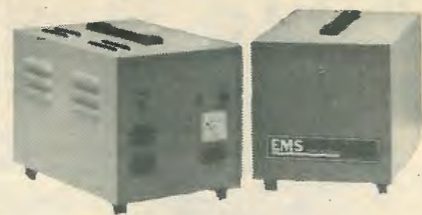
Find out more about the QTM series by writing or phoning:-

U.K.
CLARK MASTS LTD. (W.W.)
Evergreen House, Ringwood Road,
Binstead, Isle of Wight,
England PO33 3PA
Tel: Isle of Wight (0983) 63691
Telex: 86686

EUROPE
GENK TECHNICAL PRODUCTS N.V. (W.W.)
Woudstraat 21, 3600 Genk,
Belgium.
Telefoon 011-380831
Telex 39354 Genat B.

WW - 021 FOR FURTHER DETAILS

E.M.S. POWER SYSTEMS



Solve all your Power Problems by contacting E.M.S.

E.M.S. specialise in systems to eliminate your power problems.

Products range from 35VA switched square wave Power Packs to 1KVA fully uninterruptible sine wave systems.

E.M.S. also manufacture chargers which range up to 60 amps.

For further details please contact:

E.M.S. Manufacturing Limited
Chairborough Road
High Wycombe
Bucks
Tel: (0494) 448484

WW - 011 FOR FURTHER DETAILS

Cables? Multipair, Microphone, Video - listed in our Catalogue.



Write or call
for your
free copy.

FUTURE FILM DEVELOPMENTS
114 Wardour Street, London W1V 3LP. Telephone: 01-434 3344.
Telex: 21624 ALOFFD G. Cables: Allotrope-London W1.

WW - 028 FOR FURTHER DETAILS

£180: A RECORD FOR DISC DRIVES?



Opus are able to offer a limited quantity of 5 1/4" Slimline Double Sided 40 Track Drives. Formatted single density 200K., double density 400K.

And record value at only £179.95 and that includes everything - VAT, carriage and all necessary leads.

You can order by post (see coupon below) or direct at our showroom.

OPUS 3" MICRODRIVE.

Double Sided 40 Track Drive 1/2 Megabyte Unformatted.

- Twice the capacity on line of other available drives
- 200K. Single Density - 400K. Double Density
- Ex-stock delivery
- 3 ms. access time
- Lowest power consumption - direct drive
- Includes case, leads and utilities disc
- Totally compatible with 5 1/4" drives

Single Drive £229.95. Dual Drive £459.95.

5 1/4" JAPANESE DISC DRIVES. SINGLE DRIVE.

Opus 5401 Single Sided 40 Track - 250K. Unformatted. Formatted: 100K. Single Density, 200K. Double Density. £179.95

Opus 5402 Double Sided 40 Track - 500K. Unformatted. Formatted: 200K. Single Density, 400K. Double Density. £229.95

Opus 5802 Double Sided 80 Track - 1 Megabyte Unformatted. Formatted: 400K. Single Density, 800K. Double Density. £299.95

- Switchable 80/40 Track.
- 1/2 Height
- Includes case, leads and utilities disc
- Fast access time
- State of the Art Technology
- Ex-stock delivery
- Low power consumption

DUAL DRIVES.

All Dual Drives are metal cased with separate power supply.

Opus Dual 5401D. Single Sided 40 Track, 200K./400K. on line. £379.50

Opus Dual 5402D. Doubled Sided 40 Track, 400K./800K. on line. £459.95

Opus Dual 5802D. Double Sided 80 Track, 800K./1.6 Megabyte on line. £599.95

MONITORS.

12" Green Screen £89.95
12" Amber Screen £99.95
Lead to connect to BBC Micro £3.95

• Ex-stock delivery • 24MHz Bandwidth • Limited quantity
14" JVC Colour Monitor - Med. Res. £187.39
14" JVC Colour Monitor - High Res. £279.39

THE ORGANISER DESK.

- Top shelf for Monitor/Printer
- Large Desk Top Area
- Lower Shelf for Paper/Book Storage
- Teak Finish
- On Casters
- Self Assembly
- Ample room in front of the shelf for you to sit comfortably.



FLOPPY DISCS.

3" Cartridges £5.75 each or £25.95 for 5.
5 1/4" Discs - with full 5 year warranty + free plastic library case.
S/S S/D £19.95 for 10
S/S D/D £23.95 for 10
D/S D/D £26.95 for 10
8" Discs.
S/S S/D £21.50. S/S D/D £28.50. D/S D/D £29.95.

OPUS SUPPLIES LTD.

158 Camberwell Road, London SE5 0EE.

STOP PRESS.

Double Density filing system available.

Opening hours: 9.00-6.00 Monday-Friday, 9.00-1.30 p.m. Saturday.

GOVERNMENT & EDUCATION DISCOUNTS GIVEN. QUANTITY DISCOUNTS GIVEN. DEALER ENQUIRIES INVITED.

To: Opus Supplies Ltd., 158 Camberwell Road, London SE5 0EE. Please send me:

5 1/4" Slimline Drive(s) £179.95 (each) (inc. VAT, carriage and all leads).

Opus 3" Microdrive(s) at:
Single Drive £229.95 (each)
Double Drive £459.95 (each)

5 1/4" Japanese Disc Drive(s) at:
Opus 5401 £179.95 (each)
Opus 5402 £229.95 (each)
Opus 5802 £299.95 (each)
Opus Dual 5401D £379.50 (each)
Opus Dual 5402D £459.95 (each)
Opus Dual 5802D £599.95 (each)

Monitor(s) at:
12" Green Screen £89.95 (each)

12" Amber Screen £99.95 (each)
Lead to connect to BBC Micro £3.95 (each)
14" JVC Col. Mon. Med. Res. £187.39 (each)
14" JVC Col. Mon. High Res. £279.39 (each)

Organiser Desk(s) at only £59.95 (each)

Floppy Disc(s) at:
3" Cartridges £5.75 (each) or 5 for £25.95

5 1/4" Discs
S/S S/D £19.95 for 10
S/S D/D £23.95 for 10
D/S D/D £26.95 for 10
S/S 80 Track £29.00 for 10
D/S 80 Track £31.95 for 10
8" Discs
S/S S/D £21.50 for 10
S/S D/D £28.50 for 10
D/S D/D £29.95 for 10

All prices include VAT and carriage.

I enclose a cheque for £..... Or please debit my credit card account with the amount of £..... My Access/Barclaycard (please tick) No. is

Name _____

Address _____ (W/W/3)

Telephone _____

Opus.
Opus Supplies Ltd.

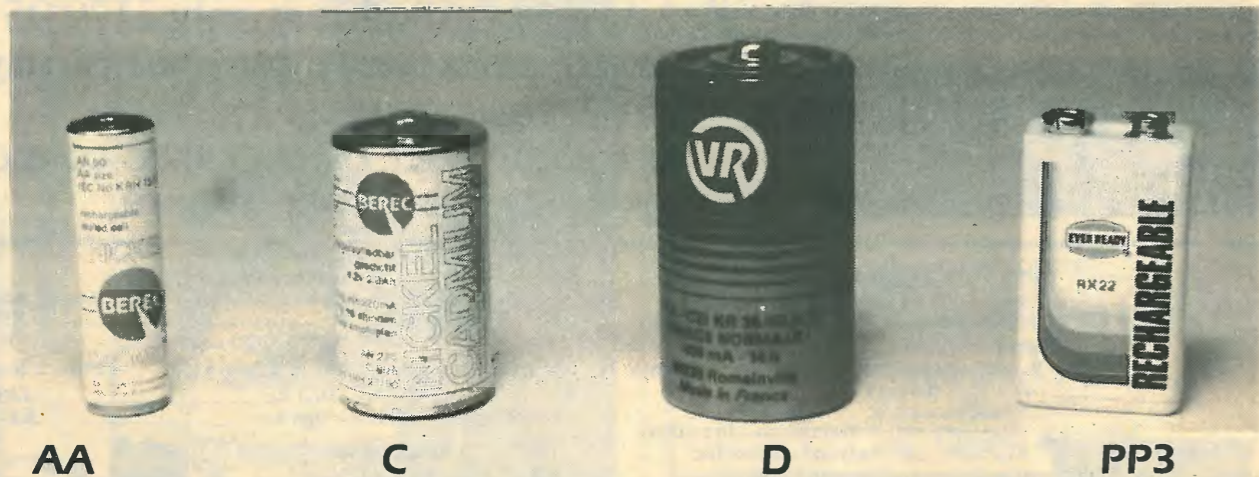
WW - 053 FOR FURTHER DETAILS

A topical selection from the current ambit parts and equipment catalogue — 148 pages plus 3 £1 discount vouchers! Send 80p for your copy now!
★ mix quantity prices apply for callers to our sales counters



NiCad battery bonanza time

0.5Ah 2.2Ah 4.0Ah 0.11Ah

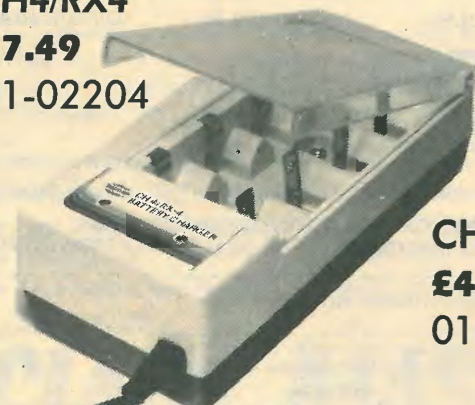


1-9	80p	£2.35	£3.05	£3.70
10-49	74p	£1.99	£2.65	£3.50
Stockcode	01-12004	01-12024	01-12044	01-84054

CH4/RX4

£7.49

01-02204



CHARGERS

CH4/50

£4.95

01-00409



BATTERY ADAPTORS
01-12001



A unique battery sleeve adaptor set that converts AA to C or D dimensions, and C to D. Ideal for emergencies.

1-9 10-24
96p 65p

The ideal Christmas Gift!

200 North Service Road, Brentwood, Essex CM14 4SG
Tel: (0277) 230909

REMEMBER to add 15% VAT & 60p postage to all orders — THANKS!

CALL AT OUR SALES COUNTERS AT
SOLENT COMPONENT SUPPLIES,
53 Burrfields Road, Portsmouth, Hants
BROXLEA ELECTRONICS, Park Lane,
Broxbourne, Herts.
& at Brentwood, of course!

Editor:
PHILIP DARRINGTON
01-661 3128

Deputy Editor:
GEOFFREY SHORTER, B.Sc.
01-661 8639

Technical Editor:
MARTIN ECCLES
01-661 8638

Projects Editor:
RICHARD LAMBLEY
01-661 3039

News Editor:
DAVID SCOBIE
01-661 8632

Drawing Office Manager:
ROGER GOODMAN
01-661 8690

Technical Illustrator:
BETTY PALMER

Advertisement Manager:
BOB NIBBS, A.C.I.I.
01-661 3130

BARBARA MILLER
01-661 8640

ASHLEY WALLIS
01-661 8461

Northern Sales:
HARRY AIKEN
061-872 8861

Midland Sales:
BASIL MCGOWAN
021-356 4838

Classified Manager:
BRIAN DURRANT
01-661 3106

IAN FAUX
01-661 3033

Production:
BRIAN BANNISTER
(Make-up and copy)
01-661 8648

Publishing Director
DAVID MONTGOMERY
01-661 3241

Technology assessment

An engineer's motivation is, if nothing else, to innovate. Given his head and an unlimited supply of money and facilities, a good engineer is happy to spend his time producing designs for new equipment that either demonstrate his skill in circuitry, or perform their function with a greater finesse, or both — the two not necessarily going hand in hand. The job satisfaction is present, whatever the eventual purpose of the product, in the design process.

Taking a wider view is the manager and, such is the effect of technology, the politician, whose brief is to formulate policy after taking advice from those who are expert and who will carry out the development policy.

These two fields of activity currently appear to exist almost separately: the engineer and the politician pursue their interests with no great awareness of larger problems. Advice from a committed engineer is inevitably biased — he must take a positive view of his project, or it would never reach a satisfactory conclusion, so that it is reasonable to expect that the only guidance supplied by engineers to policy makers will be favourable to continued development of any given project. Politicians are not, in the main, technically competent, and it must be only too easy for them to be seduced by technologists, with their promises of magical new developments.

Although engineering itself cannot be accused of possessing the attributes of either good or evil 'intent', events of the last few years have shown that it can produce results that are extremely difficult to forecast. There may be unexpected side-effects; a failure may cause knock-on effects that would only have been foreseen

by a great deal of research; people's health might suffer; all by the application of 'innocent' technology in response to market pressure or to the excited lobbying of technologists who have discovered another solution to a demand which has yet to be created.

Recent history illustrates all this profusely: Three Mile Island, Seveso, oil spillage, nuclear waste protestations, pollution, asbestos, the aerosol fluorocarbon scare, and the most devastating of all — the possibly fatal development of nuclear weapons from an innocent enquiry into the structure of the atom.

In the US, there is The Technology Assessment Act of 1972, which is intended to provide the information needed by Congress to formulate policy. In the 11 years since it was enacted, it is not clear what effect it has had on US technology, but at least the problem is perceived. In the UK, Government still gives the impression of naively embracing all that technology has to offer, with never a second thought of unlooked-for effects on society. Its belated fascination with technology shows little sign of any concern about the possible ancillary effects of its wholesale adoption.

Ideally, there should be an international technology assessment organization, which would receive information from engineers on what is possible, and from social scientists on the probable results of applying the possible and would then reach a consensus on how to avoid disaster: technology will not be unlearned, so there will never be a way of suppressing it for ever, even if that were desirable.

Third method d-c

The decision by the Ministry of Defence to place a substantial order for a military version of MEL's "Callpac" h.f. manpack/vehicle transceiver brings back both third-method s.s.b. generation/demodulation and direct-conversion receiver techniques to the forefront of the communications scene. D. K. Weaver first described his ingenious "third method of generation and detection of s.s.b. signals" as long ago as December, 1956 in the famous *Proc. IRE* issue on single-sideband. In the same issue J. P. Costas drew attention to the value of direct-conversion, homodyne-type receivers for synchronous communications. But the first two s.s.b. methods — the filter and conventional phasing techniques — were more generally accepted, and in recent years the filter approach has been almost universally employed. A fourth method, based on polyphase networks and developed by M. J. Gingell of STL, has similarly never found wide use, although all four approaches have been used by radio amateurs. The popular filter method requires a fixed i.f. and cannot be used in direct-conversion or direct-generation equipment. In 1981, W. A. Painter, describing the MEL Callpac transceiver, claimed that modern technology makes possible the efficient implementation of homodyne and third-method systems in an easily manufactured, high-performance product with microprocessor control and a frequency-synthesizer using two LOC-MOS chips to cover 1.6 to 30 MHz in steps of 100 Hz, with s.s.b. as the primary mode.

Hot words

It is a long time since the hope that, with broadcasting across frontiers, nations would speak peace to nations. Our Prime Minister has made it clear that she sees need to heat up the war of radio words to combat Soviet radio "at every turn". Many commentators agree that "Voice of America" has increasingly become a service of propaganda rather than information — and President Reagan has not given up his efforts to establish Radio Marti for broadcasts on m.f. to Cuba despite solid opposition from American broadcasters. In the UK the Foreign and Commonwealth Office is attempting to overcome the local objections to its acquiring the Bearsley site for high-power h.f. transmissions to Eastern Europe.

Even that traditional friendly frontier between the USA and Canada has been witnessing a border broadcasting dispute, though this is more about money than way-of-life. In 1976 Canada introduced new tax legislation that denies tax deduction to Canadian advertisers buying time on US stations with large Canadian

audiences. For some time the US Administration has been seeking a tit-for-tax measure to persuade American firms not to buy time on Canadian stations. Now there is talk of a truce, with Canada dropping its restrictions.

The commercial and technical rivalry between the four systems of a.m.-stereo being promoted in the USA by Harris, Kahn, Motorola and Magnavox took another turn in mid-August when the FCC suddenly ordered Harris to withdraw its system from the market and told 65 US stations to stop using it from September 1. FCC claimed that the stereo exciter being supplied by Harris (STX-1) was not the same as the model granted type-acceptance in August 1982, alleging that the exciter could greatly exceed, at least theoretically, FCC limits on monophonic harmonic distortion.

However, by the end of September, the FCC admitted that in practice distortion was low and granted "temporary authorization", allowing the 65 stations to resume stereo broadcasting. Harris claim to be clear leader in the a.m. stereo race, with more than 70 exciters supplied; Kahn has around 30 stations using his system; Motorola around 20; and Magnavox "a handful".

Useful or viable?

People involved in telecommunications and broadcasting have observed, with increasing unease, the enormous number of options that new technology can provide in the form of new user-services, new products, made possible largely by the development of very-large-scale integration (and soon ultra-large-scale integration), by the gradual blurring of the former distinctions between telecommunications services and broadcast services, and by the possibility of further exploiting the radio spectrum. Teletext, with 7 Mb/s data, carried piggy-back on television transmissions is a vivid but by no means unique example of what can be done.

Radiodata, already waiting in the wings, could provide a host of new services, including a nationwide low-cost personal radio paging service. Earlier this year the FCC created new opportunities for the 4500 American v.h.f./f.m. broadcast stations by relaxing its rules for SCA ("subsidiary communications authorization"). This is the long-established extra channel subcarrier system often known as "storecasting" but which over the years has been used for a wide variety of special programming. By extending the f.m. baseband from 75 to 99 kHz, American stations can now provide two separate SCA services, including non-broadcast applications such as paging, electronic mail, data and facsimile. The flexible EBU Radiodata specification, now facing another series of

field-trials, differs from SCA in not incorporating speech or music transmission capability, though for example ASCII control of voice synthesizers is foreseen as a useful means of providing traffic information.

Overnight distribution of "subscription" material for use on v.c.r. machines ("Home Video Network") was approved in 1982 by FCC for use on the ABC network, following development by Sony as an alternative to cable and DBS. Selective distribution of information by radio is already reflected in the "Dow-Alert" system aimed, for instance, at business and financial subscribers who can select what information they wish to receive.

The problem is to decide which new systems will eventually prove financially viable — and how long it will take for this to happen. Engineers, not unnaturally, tend to be anxious to press forward with all technologically-feasible systems; accountants are often less sure. Politicians, social scientists, market researchers, all tend to jump on and off the new technology bandwagon. In the long run it is the consumer who decides whether a new service is worth acquiring, though Government can influence this by fiscal measures such as those by which DTI have aided teletext.

Predicting success

Richard Ducey of the United States Department of Telecommunication has recently published (*IEEE Trans on Broadcasting*, Vol. B-C, No 2, June 1983) a serious attempt to provide a simple model to predict the take up of broadcasting innovations by relating technical attributes to user needs, stressing that innovative services are often constrained to the extent which technological features of these services are able to correspond to the expectations and needs of users. Prediction models, admittedly, seem sometimes to stress the obvious: for example, "If the innovation sells well, it is considered a success; otherwise some modifications may be needed". Nevertheless as increasingly we enter an era of options, refinement of prediction techniques for new technologies become increasingly important to both industry and engineers. Market researchers still come up with dramatically opposite predictions. A few years ago *IEEE Spectrum* devoted an entire issue to major electronics projects that flopped ingloriously, such as video telephones. Currently the video disc and even digital-audio discs are struggling. Surround-sound comes and goes. Yet v.c.r. machines and portable audio have surprised many by their enormous take-up.

It has been estimated that the free-world market of consumer electronics has risen

in a decade from about US\$10-billion to over \$50-billion, but it would be dangerous to assume that by 1992 it will be \$250-billion!

Briefly noted

CBS has dropped its support for the NHK 1125-line, 60-field, 5:3 aspect-radio standard for high-definition tv in favour of a proposed compatible 525-line/1050-line, 60 Hz system fitting into two frequency channels. In effect one channel carries 525-lines with the usual 4:3 aspect ratio; the second an interlaced 525-lines with 5:3 wide screen aspect-radio. It needs a large digital memory to put the h.d.t.v. picture together (with lower resolution at the edges).

The American semiconductor industry is likely to accept two proposed new standard voltages for i.c. devices not able to withstand the electric field stress of 5V supplies: 3.3V±0.3V for devices powered by a regulated supply and 2.8V±0.8V for battery-powered devices.

FCC has allocated 44.20 MHz and 45.90 MHz for civil meteor scatter communications by private systems with 42.40 MHz and 44.10 MHz for common carrier stations in the USA. Since these frequencies are fairly close to low-band v.h.f. television, FCC has warned that the possibility exists of intermittent interference to television reception on Channel 2 (54-60 MHz), and has stressed that the stations will operate "under a developmental grant policy to insure that the expanded use of this new technology does not cause harmful interference."

Trio-Kenwood, well known Japanese supplier for the amateur radio market, has entered the commercial, two-way, mobile field with models providing up to 50 watts (v.h.f.) or 40 watts (u.h.f.) output.

AMATEUR RADIO

Two years of UOSAT

Even with the passing of the second anniversary of the launching of the University of Surrey's UOSAT on October 6, 1981 it appears to be still too early to evaluate fully the successes and failures of this first British experimental space satellite in the amateur radio service. It seems increasingly unlikely that any clear pictures of the Earth taken with the c.c.d. camera will ever materialize, although the camera is known to be working. On the other hand the "packet" data transmission experiments have worked well. Of the four h.f. beacons, only that on 21 MHz has been reported, although telemetry shows that

the 7, 14 and 29 MHz beacons are working but apparently experiencing aerial problems. In general the university team has been able to carry out many of the planned experiments, although the absence of any communications transponders has inevitably restricted the amount of active participation by radio amateurs.

Oscar 10, the first successful Phase III high-altitude satellite, has now settled into its orbit with an apogee of 35,000 km, perigee 3958 km, inclination 26.2° and is providing many long-distance contacts.

Flares & Sporadic E

In *Nature* (Vol. 305, September 22, 1983) scientists at the University of New Hampshire and at Nobeyama Solar Radio Observatory in Japan describe in great detail the two intense solar flares that occurred on June 7 and 21, 1980. During these flares, virtually simultaneous acceleration of electrons and ions were noted, in direct contradiction to widely accepted concepts of solar flare particle acceleration. It seemed worthwhile checking back to see whether these unusual flares resulted in any unusual radio propagation. In practice, Sporadic E was observed on frequencies as high as 144 MHz three days later on June 10, and there was also 50 MHz SpE for several days after June 24, again three days after the flare. However as there was also 144 MHz SpE on July 10, the correlation, although interesting, is far from conclusive.

The Raynet amateur radio emergency organization has agreed to recommend to its members that they should conform with the IARU 144 MHz band-plan which allocates 144.845 to 144.875 MHz for beacon operation. For several years there has been considerable Raynet activity on 144.875 MHz and it is hoped this will cease from the end of this year. The RSGB is to seek frequencies specifically for Raynet and emergency use.

Problems have also arisen over the use of 29.3 to 29.7 MHz for f.m. operation based on modified 40-channel c.b. equipment. This is conflicting with the use of the segment 29.3 to 29.55 MHz for the amateur satellite down-link band. The RSGB is asking that this segment be kept clear of terrestrial signals at all times. At the next IARU Region 1 Conference the society will propose a 28 MHz sub-band specifically for f.m. and repeater operation. Many reports of abuse of the South London 144 MHz GB3SL repeater continue to be received, both in the form of deliberate interference and highly offensive language. It is difficult to understand why this problem has existed for so many years on this particular repeater, with relatively few serious problems on the many other repeaters now operating throughout the country.

Here and there

Early morning, November 28, 1983, is the 60th anniversary of the historic first two-way transatlantic contacts on short-waves (actually about 110 metres) between the French pioneer amateur Leon Deloy in Nice and three American amateurs John Reinartz, Ken Warner and Fred Schnell, the result of several months of preparations. Deloy later helped Jack Partridge, G2KF to get across to Ken Warner on the morning of December 8, 1923 for the first USA-UK amateur two-way contact.

Chairman W. N. Craig, G6JJ reports a highly successful 1982-83 year for the Radio Amateur Invalid and Blind Club which by means of volunteer "representatives" helps its members enjoy the hobby by assisting with equipment, installing it where necessary and keeping it serviceable. During the year there were 217 new members and 36 new representatives. Members acquired 40 more Class A and 55 more Class B licences. Enquiries or offers of help always welcome (Hon. Secretary, Mrs Frances Woolley, G3LWY, 9 Rannoch Court, Adelaide Road, Surbiton, Surrey).

The RSGB has approached the Department of Transport about the possibility of British amateurs using their call signs as vehicle registration numbers. This has long been possible in some American states, although Canada insists that any vehicle bearing a call sign-type number plate *must* be carrying two-way radio equipment when it enters Canada, on the grounds that the police and public have come to recognise call-sign number plates and may seek emergency communications.

Guernsey Amateur Radio Society won the "Golden Jubilee" 50th RSGB National Field Day Trophy. The VHF National Field Day (open section) was won by the HADRABS and Addiscombe Contest Group. An increasing number of NFD contestants now operate from caravans, car-campers etc, rather than tents. In the south of England lightning and static-charged rain caused considerable damage to solid-state equipment.

In brief

World records for both the 10 GHz (1621 km) and 1.3 GHz (1963 km) bands were established by IoSNY/EA9, an Italian amateur visiting Ceuta, Spanish Morocco last July by two-way working to Italian stations in Sicily and the Italian mainland, further evidence of the long ducts that often form above the Mediterranean . . . Class B licences with the new G1 call sign prefix began to be issued about August and by October were well into the G1B series.

PAT HAWKER, G3VA

The Fowberry energy saver

A device to help reduce the effects of a crude on-off thermostat on the cost of running a central-heating boiler.

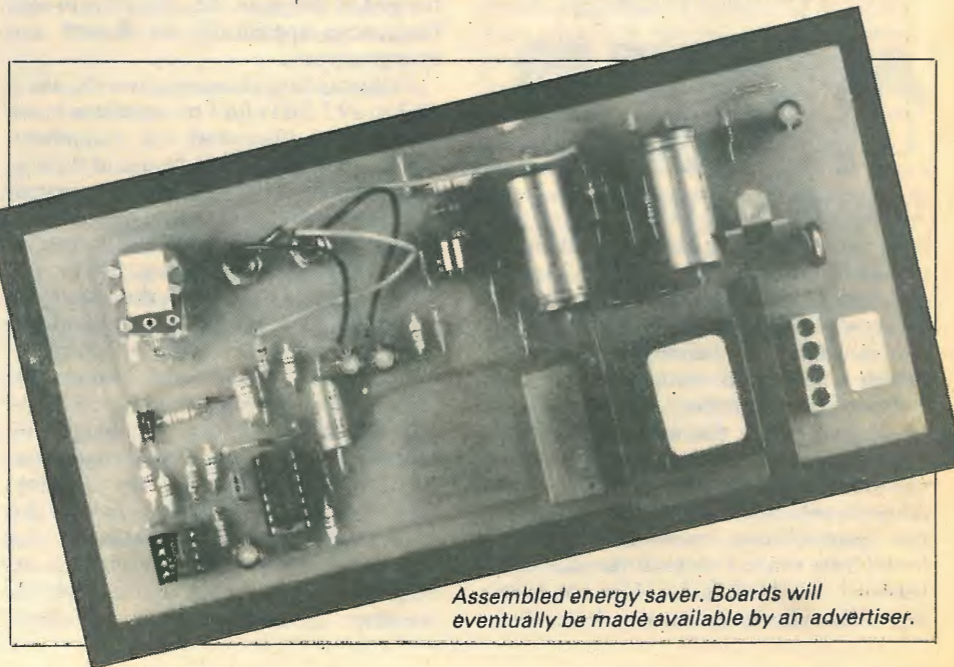
All boilers demonstrate inertia, and inertia means a time-lag in the feedback of information from the thermostat to the burner. By the time the burner has heated the water-jacket, and the water jacket has heated the water, and the water has heated the thermostat sensor, the burner finds out too late that it should have turned off, and burns too long by the length of the time delays. The result is what is called "over-temperature", and it occurs every time the boiler cycles on and off. Because it is essentially a time function occasioned by the thermal mass of the system, it does not matter how efficient the boiler may be, nor how little back-lash the thermostat may have, over-temperature must inherently occur unless a crafty means is used to prevent it. If a room sensor is used, extra time-delays make things worse.

Over-temperature wastes energy in precisely the same way as an over-heavy foot on the loud pedal of a motor car — it causes too much acceleration in the system: we must try to make the boiler do a constant 56 m.p.h. rather than simulate driving in town!

The Fowberry Energy Saver operates along entirely different principles to the multitude of proprietary timer-programmers which merely tend to stop the boiler working at all for certain periods of time, so tending to make you a slave to them: they also let things cool down so that the boiler has to work hard to bring temperatures back to normal. This effect will be well known to those who have used a holiday cottage or farmhouse at weekends only — the boiler goes like the clappers from Friday night to Sunday night, and the place is just beginning to get warmed through when it is time to go home!

With the device described, the effects of insulation and normal operational thrift are actually increased, and the saving available is even greater if there is a secondary form of heating such as a back-boiler to a solid fuel fire, or solar panels or whatever, because under these circumstances the boiler is literally allowed to tick-over rather than give the minimum burn length (caused by the time delays) each time it cycles.

Figure 1 demonstrates the manner in which the boiler output temperature is reduced (i.e., cutting out over-temperature) with increased setting of the control knob on the device but the thermostat setting fixed.



Assembled energy saver. Boards will eventually be made available by an advertiser.

by J. A. MacHarg

Figure 2 demonstrates the way that the boiler cycling is reduced with an increase of temperature from a secondary source of heat fed into the system.

Principle of operation

Essentially, what the device does is pulse the burner during the on-periods of the thermostat, the rests between the pulses giving time for the heat to transfer towards the thermostat sensor, the last pulse tending to "just" turn off the thermostat rather than have it kicked off by a mighty over-burn of energy.

The thermostat off-time is a fair mea-

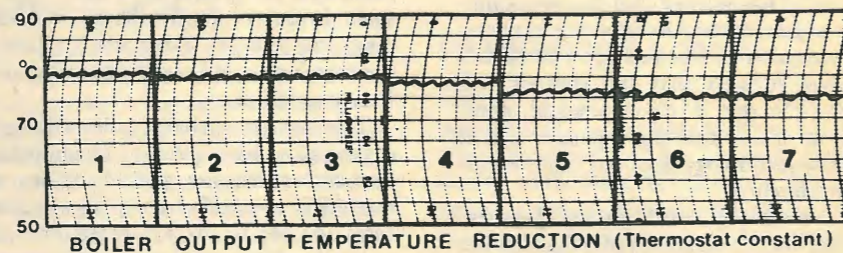


Fig. 1. With the thermostat fixed, the boiler output temperature is reduced as the energy-saver control is increased, indicating that over-temperature is decreased.

sure of demand in the system: this is sensed by the device and the length of the first pulse is modified accordingly in order to cope with demand if it exists: if there is only low demand, perhaps from system losses, the first pulse will be short. Whatever the demand may be, subsequent pulses reduce in length so that the thermostat is "just" tripped off.

If the thermostat is not tripped off within about a quarter of an hour, an over-ride comes in to increase gradually the length of the pulses, so to cope with unexpectedly high demand.

Circuit description

The stabilized power supply lights Led₁ through R₁₇ whenever the device is powered by the system thermostat: this led therefore announces "Thermostat On".

The relay, with its coil shunted by tr

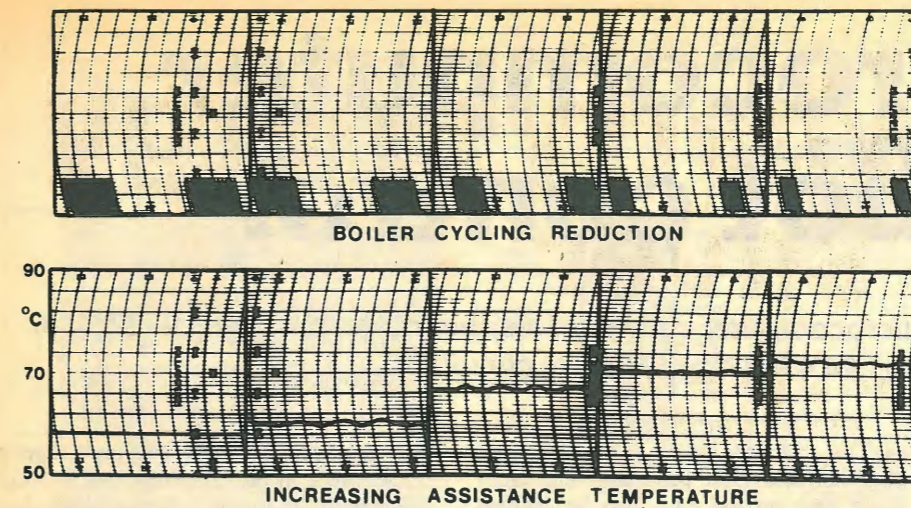


Fig. 2. As the secondary heat source is increased, the boiler 'on' time is reduced accordingly.

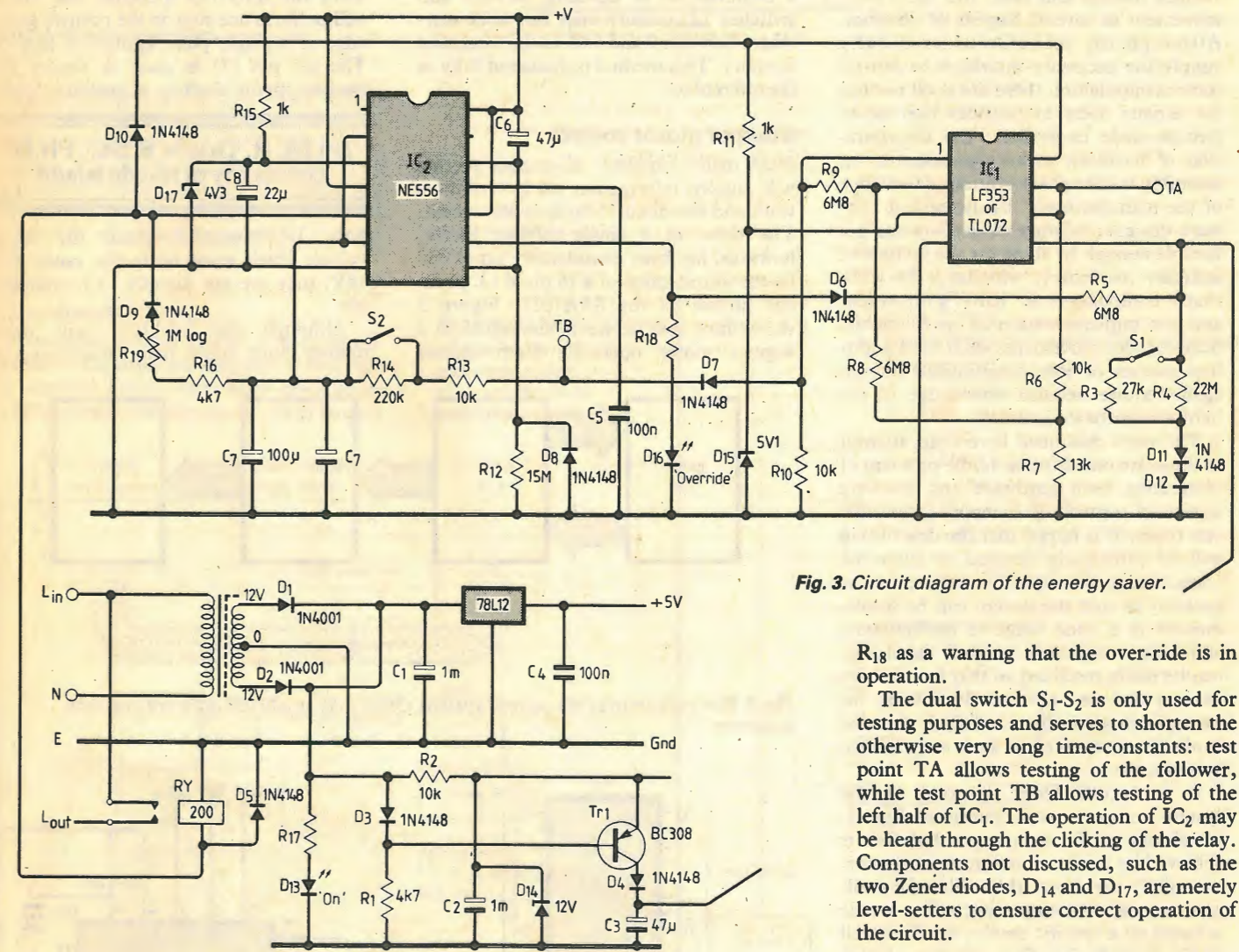


Fig. 3. Circuit diagram of the energy saver.

R₁₈ as a warning that the over-ride is in operation.

The dual switch S₁-S₂ is only used for testing purposes and serves to shorten the otherwise very long time-constants: test point TA allows testing of the follower, while test point TB allows testing of the left half of IC₁. The operation of IC₂ may be heard through the clicking of the relay. Components not discussed, such as the two Zener diodes, D₁₄ and D₁₇, are merely level-setters to ensure correct operation of the circuit.

Connection and adjustment

Connection to the boiler is extremely simple: the lead supplying power to the burner from the system thermostat is broken. The lead from the thermostat is fed to the "Live-in" terminal, while the "Live-out" terminal is connected to feed the burner. Neutral and Earth may be picked up from any convenient point.

To adjust, the knob should be turned as far clockwise as possible so that D₁₆ only lights under conditions of unusually high

mandatory diode D₅, pulses the burner during the thermostat "On-periods".

Whenever the device is powered by the thermostat, C₂ is charged through R₂ up to the level of D₁₄, the transistor being held off by D₃. Each time the thermostat switches the device off the transistor conducts, charging the memory capacitor C₃ through D₄. The slow draining of this capacitor through R₄, D₁₁ and D₁₂ effectively measures the thermostat "Off-time"

and thus the demand in the boiler system.

In IC₁, a dual j-fet op-amp; the right half is a follower, following the voltage on C₃ without loading it, while the left half operates as a phase-changer cum amplifier cum level-shift, supplying the charging voltage for the twin timing capacitors C₇-C₇ as a function of the thermostat "Off-time" and thus in accordance with demand.

The left half of the 556 timer IC₂ pulses

continued on page 43

Microcomputer robot control

Morris Driels describes the microcomputer control of stepper motors, using a 6522 v.i.a. and SAA1027 motor-drive circuit

It is now relatively inexpensive to purchase small, non-servo-type robot manipulators for a variety of educational, research and small assembly activities. These machines are invariably activated by means of stepper motors and have the facility for movement in several degrees of freedom. Although the manufacturers usually supply the necessary interfaces to control their manipulators, there are good reasons for serious users to consider the use of custom-made controllers: the incorporation of feedback sensors to assist in an assembly task requires intimate knowledge of the manufacturers' hardware and software designs; existing controllers are not flexible enough to allow for the control of auxiliary machinery, whether it be additional manipulators or "hard" automation; and the implementation of more sophisticated robot movements such as straight-line motion or joint-interpolated motion again require detailed knowledge of the hardware/software interface.

The work described here is an attempt to illustrate one solution to the problem of integrating both hardware and software aspects of controlling a stepper-motor-driven robot. It is hoped that the description will be sufficiently detailed to allow the construction of a specific device, yet be general, so that the design can be implemented in a wide range of manipulators and microcomputers. Indeed, the design can be easily modified so that it will drive devices that are not strictly robots, for example numerically controlled machine tools, programmable data acquisition systems, etc.

A functional block diagram of the system components is shown in Fig. 1. Flexibility in the computer/robot link is achieved by means of an interface adaptor, essentially any device that will make available one eight-bit output port. This article is based on a specific device, the Rockwell 6522 versatile interface adaptor, which allows any 6502 based microcomputer to control the robot. Those familiar with the device will know that it can do a lot more than provide one output port, even though in this application that is all that is required of it. 6800 based systems could utilize the 6821 p.i.a., while those who prefer a Z80 system would implement the interface using the Z80 p.i.o.

Figure 2 is a diagram of the 6522, indicating the required connections to the external computer. Of the two parts provided by this device, only part of port A is used, allowing the remaining lines to be

used for additional i/o; for example, to feed back the arm joint positions. The chip-select lines on the v.i.a. can be enabled either by directly decoding the address bus using nand gates and inverters, or by using a combination of decoding devices and switches to memory-map the 6522 anywhere between 0 and 64K in the computer memory. This method is discussed fully in the reference.

Stepper motor control

Most major suppliers of stepper motors will supply information on how motors work and also circuit boards to drive them. The drive of a single stepper motor, however, has been considerably simplified by the introduction of a 16 pin d.i.l. package known as the SAA1027. Figure 3 shows how this device is connected to a stepper motor operating from around

12Vd.c., requiring only two input signals. The direction pin (3) determines in which direction the motor will step; logic high will produce a clockwise rotation while logic low produces anti-clockwise rotation. With the direction specified, the motor will perform one step on the positive going edge of a single pulse applied at pin 15. The set pin (2) is used to restore the stepper motor shaft to a known orienta-

tion. Unfortunately, since the input voltage levels must be in the range 7.5-18V, they are not directly t.t.l. compatible.

Although the SAA1027 will drive motors much larger than those found in

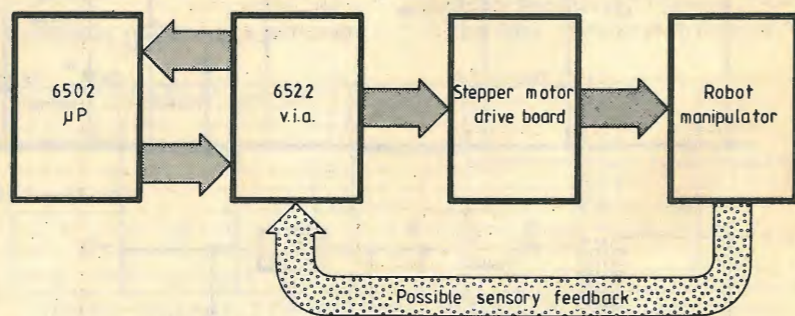


Fig. 1. Block diagram of the control system. Other micros will use different interface adaptors.

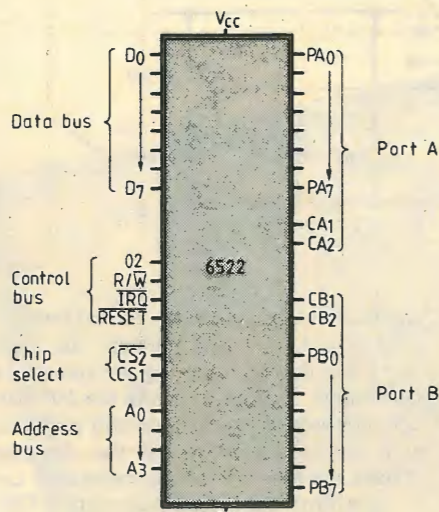


Fig. 2. Rockwell 6522 versatile interface adaptor. Only port A is used in this application.

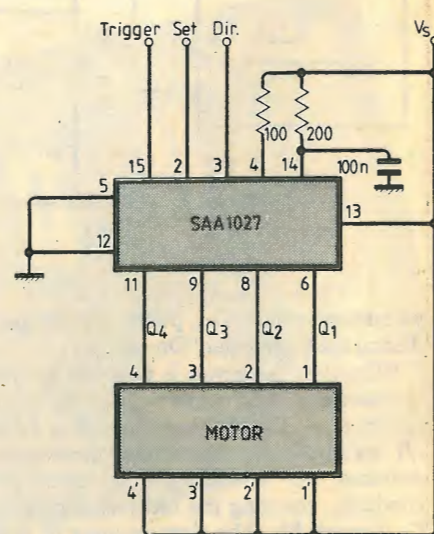


Fig. 3. Using a SAA1027 to control a stepper motor.

Motor/dir.	PA ₄	PA ₃	PA ₂	PA ₁	PA ₀	Decimal val.
1	for.	1	1	0	0	24
	rev.	0	1	0	0	8
2	for.	1	1	0	0	25
	rev.	0	1	0	0	9
3	for.	1	1	0	1	26
	rev.	0	1	0	1	10
4	for.	1	1	0	1	27
	rev.	0	1	0	1	11
5	for.	1	1	1	0	28
	rev.	0	1	1	0	12
6	for.	1	1	1	0	29
	rev.	0	1	1	0	13

Fig. 5. Table showing set of all numbers needed to operate joint motors.

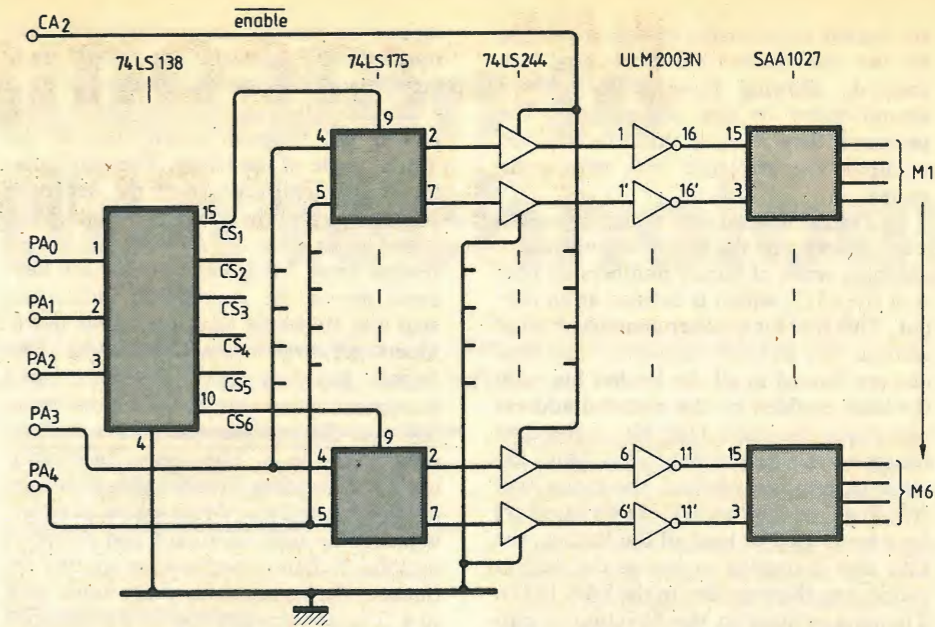


Fig. 4. Six-channel motor drive.

any educational robot, even larger motors are handled by incorporating a power amplifier stage in the four phase lines Q₁-Q₄. Figure 3 indicates that the complete motor/driver combination may be treated as a "black box" requiring only a d.c. level and sequence of pulses to produce a movement.

Six-channel driver

This circuit, shown in Fig. 4, uses port A of the 6522, although only part of this port is actually used. The basic operational philosophy is that the six 74LS175 latches

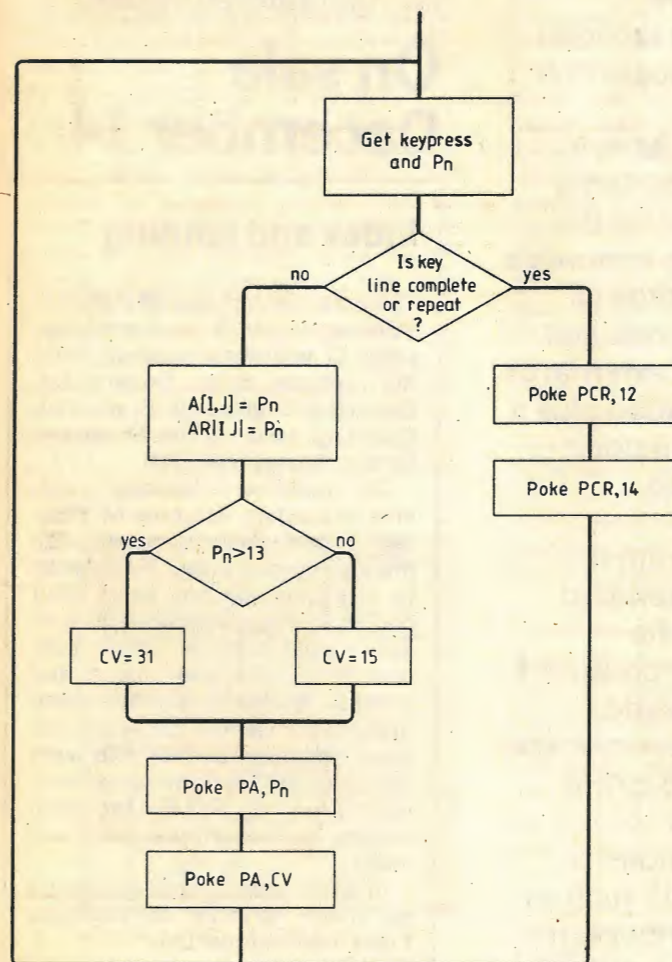
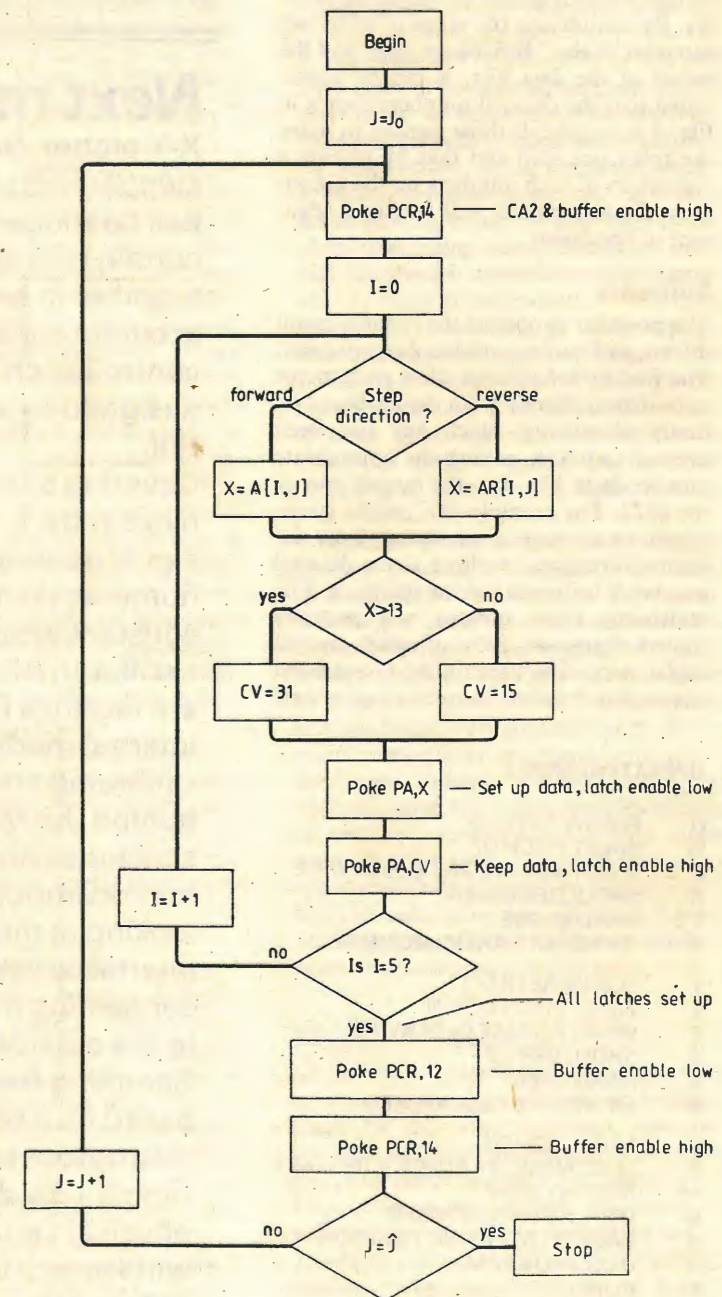


Fig. 7. Flow chart for 'run' mode, where A or AR control motors.

Fig. 6. Flow chart of 'teach' part of program, using keyboard to store movements in A.



are loaded sequentially with data relating to the six motors. Buffers are then enabled, allowing those motors which should move to step accordingly. The process is then repeated until the required manipulation sequence has been completed.

In a more detailed look at the operation, it can be seen that the motors are moved by placing a series of binary numbers on port A of the 6522, which is defined as an output. This five-bit number consists of three address bits and two data bits. The data bits are bussed to all the latches but only the latch enabled by the decoded address bits stores the data. One bit of the data relates to the direction of step while the other determines whether the motor will step (high) or not (low). Once six numbers have been used to load all the latches, the CA2 line is toggled to enable the buffers connecting the step data to the SAA 1027s. The data relating to the direction is connected to the motor drivers through permanently enabled buffers. All buffer outputs pass through the ULM 2003N Darlington arrays to achieve the necessary voltage levels required by the motor drivers. By considering the range of addresses accepted by the 74LS138 decoder, and the values of the data bits, it can be appreciated that the decimal numbers shown in Fig. 5 represent all those needed to move the robot one step and that by placing a succession of such numbers on the output port, the manipulator will execute a sequence of operations.

Software

The program to operate the robot is menu driven, and can be considered in two parts. The first twelve options allow each motor to be driven directly from the keyboard by firstly identifying which key has been pressed and then poking the appropriate number from Fig. 5 to the output port of the 6522. For example "Q" might correspond to movement of Motor 2 in the reverse direction, resulting in the decimal number 9 being sent to the interface. The remaining eight options are program control characters, most of which are self explanatory. The 'line finished' command allows simultaneous movement of several

OPERATING MENU

Q	ELBOW EXTEND
W	WRIST PITCH UP
E	WRIST ROTATE ANTICLOCKWISE
R	SHOULDER DOWN
T	HAND CLOSE
Y	HIP ROTATE ANTICLOCKWISE
1	ELBOW RETRACT
2	WRIST PITCH DOWN
3	WRIST ROTATE CLOCKWISE
4	SHOULDER UP
5	HAND OPEN
6	HIP ROTATE CLOCKWISE
F	LINE FINISHED
Z	ZERO MEMORY BLOCK & RESTART
M	DISPLAY MENU
D	DISPLAY DATA STORED
B	BACK TO STARTING POSITION
V	QUIT PROGRAM
G	RUN
L	LOOP OPERATION

motors by moving them sequentially and then typing F, indicating that the preceding operations are to run in parallel.

The flow diagram shown in Fig. 6 is the part of the program which controls the 'teach' mode of operating. The manipulator is driven directly from the keyboard and in doing so the motor movements are stored in an array A. At the same time a reverse array AR is computed. Each key-press moves the appropriate motor one step and allows for multiple motor movements per step as described above. The 'repeat' key may also be used for rapid movement of one motor. The reverse array AR uses the complement of the decimal value stored in A. The reason for compiling AR is that many robot applications are of the 'pick and place' type where an object is picked up from location x and placed at location y. Before performing another sequence, the manipulator must move back to x. The movement from x→y is specified by A while that from y→x is defined by AR. For example, if one of the forward steps is the clockwise rotation of the hip joint, A would use the number 29 while AR would contain 13. Once the sequence

Next month X-Y plotter. Surplus stepper motors, bicycle ball bearings and coated curtain rails are brought together in a surprisingly accurate digitally- controlled chart recorder designed by student Phil Hill.

Covering 5 to 30MHz in five bands, L. Boullart's signal generator for the home workshop features a constant-amplitude i.c. oscillator. Also included are facilities for external or internal modulation plus a calibrated attenuator. Behind the Micro concludes our microcomputer survey, looking at the standard interfaces used for connecting micromputers to the outside world. Sampling frequency meter based on a 6805 c-mos microprocessor repetitively samples a physical variable such as windspeed, temperature or humidity. A distribution

has been stored, the arrays can be inspected and edited (D), restarted (Z) or saved on tape or disc.

Executing the movements is handled by the 'run' mode of the program shown in Fig. 7. In this mode, either array A or AR is used to load the latches shown in Fig. 4 and cause rotation of the motors. Most of the program steps should be self explanatory. The only complication arises over the variable CV. It is necessary to present the correct data at the latch input while the clock (pin 9) signal performs a low to high transition. By poking CV to the latch after the data variable x, this is achieved and the correct data is clocked into the latch.

The program shown in the flow diagram was written in Basic and found to run fast enough in the teach mode though not in the run mode. The program was subsequently compiled and found to operate at an acceptable speed in both modes. WW

Reference

Microcomputer interfacing for 12 bit data acquisition, *Wireless World*, M. R. Driels, vol. 89, Feb. 1983, pp. 49-52.

of maximum or average values in 21 memory channels is built up and compared with a table of values stored. Program can be adapted for different applications by changing stored values.

On sale December 14

Index and binding

The index for Volume 88 (1982) of *Wireless World* is now available, price £1 including postage, from the General Sales Department, Electrical-Electronic Press Ltd, Quadrant House, The Quadrant, Sutton, Surrey SM2 5AS.

Our publishers also offer a service of binding volumes of *Wireless World*, each complete with the appropriate index. If you wish to use this service send your copies to Press Binders Ltd, 4-4a Iliffe Yard, Crompton Street, London SE17 with your name and address enclosed. Confirm your order to the General Sales Department (address above) and with this letter to Quadrant House send remittance of £13.89 for each volume (price includes v.a.t. and index).

In both cases cheques should be made payable to Business Press International Ltd.

Introduction to information technology

"Much future learning must take place in the home if government expenditure on education is to be reduced in a non-harmful way."

by Philip Barker

Electronic journals

There is much to be said for information that is held in electronic form. In addition to being compact, it is also easy to disseminate and simple to up-date. Because of the importance of holding information in this way, much research has been devoted to investigating the use of the electronic journal and book as a means of distributing reference documents and the results of research activity.

The basic idea behind the electronic journal is fairly straightforward and depends on the availability of appropriately designed communication networks, database support software and text/image processing equipment. Essentially, contributors enter their source material via suitable computer terminal equipment. Once a document has been entered into the storage system (a distributed database), documents may be modified and updated in various ways prior to submission to the journal's editorial panel. An electronic version of the manuscript is then referred and provided it is accepted for 'publication' is then stored in the centrally accessible portion of the distributed data base. Potential users of the final report are then made aware of its existence and may gain access to it by means of interactive terminals linked to the host database with appropriate communication linkage.

Provided suitable selection mechanisms, information filters, and security procedures can be designed, the electronic journal concept is likely to offer a significant contribution toward solving some of the problems with which information technology is concerned.

Potential of the video disc

When combined with a suitably designed computer control system, optical disc equipment can make available a number of novel solutions to many of the problems of information storage and retrieval,¹ but at present there are several limitations. They are read-only; discs must be loaded by their manufacturer; they are costly to produce; no standards exist to enable disc

Dr Barker is in the department of computer science at the Teesside Polytechnic.

exchange schemes to operate; they are not yet commonly available; and, they are difficult to author. Currently, there is much research being devoted to solving each of these problems and when solved the optical disc will undoubtedly provide many new opportunities for designers of information systems. The impending development of the 'intelligent video disc' is likely to offer many fresh possibilities² for those who are interested in the construction of novel i.t. products for use in the home, industry and within education.

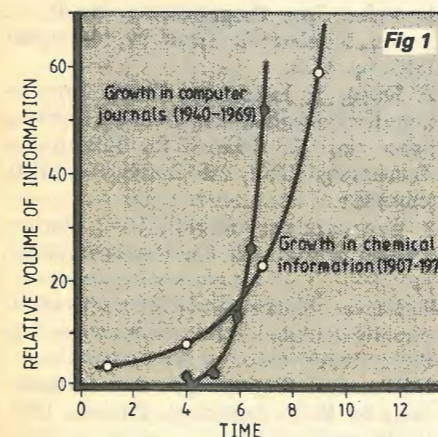
Satellites and fibre optic networks

Two types of communication resource are very likely to significantly influence developments in information technology over the next decade: optical fibres and satellite systems. Recently, there has been much discussion regarding the possible 'rewiring of the UK' using optical fibres to provide high bandwidth communication channels able to support interactive tv, electronic shopping, meter reading, home security systems and other computer-based services for use in the home. Within many parts of the world the use of satellite data communication links are well established and there are now several worldwide data transmission networks in which satellites play a significant role.

Combining both of these technologies is likely to produce a completely new range of possibilities for users of information technology. Heterogeneous systems³ constructed from local area networks based on optical fibres and global communication provided by satellites will undoubtedly provide many new approaches to work, leisure and education, particularly within the home. Indeed, to combat the rising costs of travel and office accommodation, as well as over-crowding within cities, working from home through the use of appropriately designed workstations is likely to become increasingly important in the future, as will be the development of home-based educational systems.

The role of education

Education is intimately concerned with information, its dissemination and assimilation by individuals, groups, societies, and nations. As an information technology tool, education thus has a vital part to play. Its role in relation to the production of information via research is depicted in Fig. 2, which illustrates the type of information/knowledge transfer processes that are



characteristic of most primitive educational systems. Knowledge and information are produced by subject experts such as researchers and scholars. Teachers assimilate this knowledge and pass it on to learners or students. Clever students may be capable of assimilating this knowledge for themselves — once they have achieved a particular threshold age.

Within Fig. 2 it is easy to see that two types of entity are of crucial importance to the process of educational information transfer: teachers and students. Within some Universe of Discourse, a teacher is regarded as being information-rich. In contrast, a student is one who is thought of as being information-deficient within this domain. The function of the teaching process is to transfer information from the teacher to the student. In the past, large mainframe and minicomputer systems have been used to implement computer-based teaching processes, severely limiting the potential that these techniques are able to offer. Nowadays, easy access to microcomputers, intelligent terminals and communications facilities, particularly within the home, is likely to provide many new opportunities for the use of such approaches to education. One of the most interesting of these will probably arise through the development of expert systems⁴.

An expert system is a sophisticated software package that is able to support two basic types of human-computer dialogue. One of these (knowledge acquisition) is essentially an input operation while the others (information transfer) is primarily dedicated to output operations. During the input dialogue a human who is expert in a particular subject area 'converses' with the computer that hosts the software package that constitutes the expert system. This conversation enables the human expert to pass over to the computer software a subset of knowledge and decision-making expertise. The computer then constructs a knowledge base and a set of rules that together embody the information that has been acquired from the dialogue. The rules that are deduced by the system are important because they describe how to use the stored knowledge/information in different types of situation. Both the rule set and the knowledge base are adaptable — that is, they can be dynamically modified as a result of further interaction with the subject expert.

The second type of dialogue (information transfer) is essentially informative. It enables the stored material embedded within the expert system to be used as a means of solving problems posed by its user. These problems will usually involve some form of decision making. If it is required, the software will provide an explanation as to how and why it has made particular decisions. The machine can thus be used to display its 'thought pattern'.

The potential role that expert systems could play within education is substantial. For example, they could be used to construct intelligent tutors and counselling aids; to build systems that are capable of training people in decision making; and they could form the basis of many new i.t.

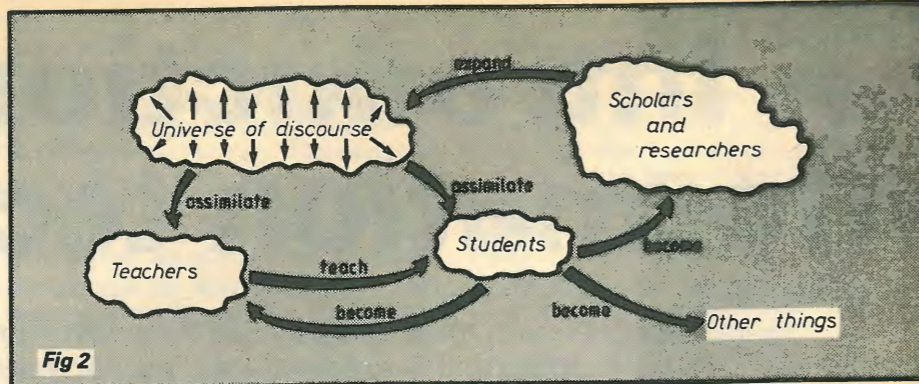


Fig 2

products for use in the domestic marketplace and in home-based education. Products might include expert systems to help people work out their tax returns, claim social benefits and provide sources of advice on problems arising in cooking, gardening, home maintenance and a host of other mundane educational problems inadequately catered for by conventional approaches to education. Indeed, combining expert system technology with that of the video disc could provide a powerful new educational medium for use in the home — an area where much future learning must take place if government expenditure on education is to be reduced in a non-harmful way.

The future

Undoubtedly, information technology as we perceive it today is going to have a significant impact in the future. Its greatest effects will be on people and the nature of the lives they lead. People spend a large proportion of their time in their homes and it is here, therefore, where many new market opportunities for i.t. products will probably arise. During the next decade the home is likely to change in many subtle ways as novel domestic i.t.-based services are made available. Four factors are likely to contribute to these changes: easy access to electronic information via computer networks; the introduction of new storage media such as optical discs; highly intelligent software that reacts to user demands made via easy-to-use human-computer interfaces.

We are already experiencing a steady increase in the number of microcomputers that are available for home use. When combined with communication networks and video disc facilities, completely new horizons in home i.t. are likely to emerge — not only home shopping, interactive tv, intelligent video for home instruction but hosts more. Perhaps one of the most frightening possibilities is that presented by 'electronic democracy' — voting (or decision making) on issues of local and natural interest by means of a keypad located in each home. If the potential offered by this is to be successfully and intelligently used then the future role of education is extremely important. If education in a democratic society has to have as its first objective the training of students "for an active role in which the individual takes responsibility for his/her own destiny",

then people must be given the opportunity of becoming informed about and deciding on those issues that directly influence their lives. Through new technology we are moving closer to this. However, there are still many social and cultural problems that remain to be solved, many of which stem from ignorance and a fear of technology. Education has much to achieve.

Naturally, one of the greatest fears at present is the effect that information technology might have on employment. In the guise of automation, we cannot do other than believe that i.t. can bring substantial reductions in the workforce of those areas where it is applied. So, where will the future lie for those who are dispelled from work? Stonier believes that one of the biggest employers in the future must be the 'knowledge industry'. If research is included in this category then this must be true. For where else might the future of the UK lie? The nation must therefore further promote and exploit the excellent research done in British institutions. Without this, and the support that i.t. can provide, will there be a future for the UK?

References

- Potential impact of satellites and local area networks on the development of open learning systems is discussed in 'A Practical Introduction to Authoring for Computer Assisted Instruction, by P. G. Barker and J. Steele, *British Journal of Educational Technology*, vol. 14, January 1983, pp. 26-45.
- Effects of satellites and local area networks on work habits and employment opportunities are discussed in *The Wealth of Information*, by T. Stonier, Methuen, 1983. (ISBN: 0-423-00800-5).
1. Video Disc Programming, by P. G. Barker, *Wireless World*, vol. 89, November 1983, pp. 44-8.
 2. Duke, J. Interactive Video: Implications for Education and Training, working paper no. 22, Council for Educational Technology (UK), ISBN: 0-86184-105-0, July 1983.
 3. Computer networks, by P. G. Barker, *Wireless World*, vol. 88, December 1982, pp. 74-8.
 4. Expert Systems in the Microelectronic Age, by Michie, D., Edinburgh University Press, (ISBN: 0-85224-381-2), 1979.
- Information Technology: An Introduction, by P. P. Zorkoczy. Pitman, 1982. (ISBN: 0-273-01798-5). WWW

Instability at h.f. in feedback amplifiers

Simple mathematical analysis of the conditions for high frequency instability in a feedback amplifier or any abstract control system

by Philip Ratcliffe

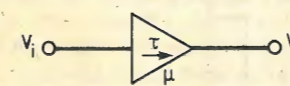
Electronic amplifying devices, valves, bipolar or field-effect transistors, rely for their operation on the drift of electronic charge in controlling mechanisms. The speed of drift of the geometrical size of the devices define the physical limitations to the high frequency response.

In bipolar transistors the high frequency limit depends on the time taken for the drift of physical electrons or energy band holes across the base region. For any useful gain at high frequencies the base region is made very thin, but this has the disadvantage that the device has a very low collector-to-emitter 'punch through' voltage.

For valves and f.e.t.s the main current is composed of charges travelling through a homogeneous medium (ignoring the electrode interfaces) but is controlled by electric fields whose influence can propagate faster than any material mediator and so gives a much better h.f. response.

A simple switching analysis is used. The time taken for a control effect to propagate from input to output will be assumed to be constant, τ .

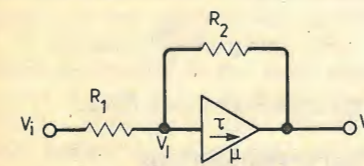
A more sophisticated analysis would consider the electronic drift currents as a diffuse bunch of charges. Suppose that the abstract amplifier has an open-loop gain in Fig. 1



where, by definition of the causal relation, assume that

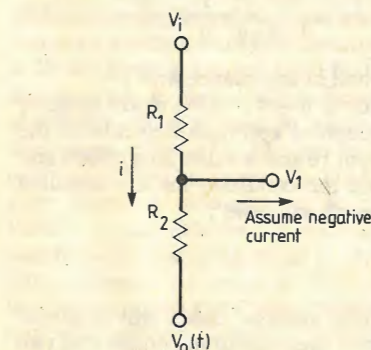
$$v_o(t) = \mu v_i(t - \tau) \quad (1)$$

and μ can be positive or negative. Apply voltage feedback by a simple resistance network, Fig 2



The resistance chain is an instantaneous voltage dividing system, and in particular, for negative feedback ($\mu < 0$) it can be regarded as forming a 'voltage lever' pivoted at the amplifier input v_i .

In the following analysis a simple voltage or Heaviside function will be applied to see how the amplifier responds. Suppose that when the amplifier is created that v_o has some arbitrary initial value such as zero. When a constant voltage v_i is ap-



The current in the resistive network, assuming negligible loading by the amplifier input, gives v_1

$$i = \frac{v_i - v_0}{R_1 + R_2} = \frac{v_1 - v_0}{R_2} \quad (2)$$

$$\text{so } v_1(1) = \frac{R_1}{R_1 + R_2} v_i + \frac{R_1}{R_1 + R_2} v_0(1) \quad (3)$$

where the arguments $v_1(1)$, $v_0(1)$ denote the values of these variable voltages during the first period from t to $t + \tau$.

At $t + \tau$ until $t + 2\tau$ the value of the output voltage depends on the value of v_1 given by equation 3 in accordance with the causal behaviour of equation 1

$$\text{i.e. } v_0(2) = \mu v_1(1)$$

$$\text{or } v_0(2) = \frac{\mu R_2}{R_1 + R_2} v_i + \frac{\mu R_1}{R_1 + R_2} v_0(1) \quad (4)$$

This new $v_0(2)$ interacts with the (constant) voltage v_i in the resistance network to produce a new $v_1(2)$:

$$v_1(2) = \frac{R_2}{R_1 + R_2} v_2 + \frac{R_1}{R_1 + R_2} v_0(2) \quad (5)$$

and at period $t + 2\tau$ to $t + 3\tau$ the new output voltage v_0 is

$$v_0(3) = \mu v_1(2) = \frac{\mu R_2}{R_1 + R_2} v_i + \frac{\mu R_1}{R_1 + R_2} v_0(2) \quad (6)$$

and $v_0(2)$ is given by equation 4 so we can

reduce $v_0(3)$ into terms of the arbitrary initial value $v_0(1)$.

The constant factors $R_s/(R_1 + R_2)$ and $\mu R_s/(R_1 + R_2)$ for $s=1,2$ occur frequently, so for mathematical simplicity replace them by labels k_s and k_s' respectively i.e. put

$$k_s = \frac{R_s}{R_1 + R_2} \text{ and } k_s' = \mu k_s' \text{ for } s=1,2 \quad (7)$$

then it will be easier to see the build up of the pattern in the voltages.

The recursive relations for the n periods are

$$v_0(n) = \mu v_1(n-1) \quad (8a)$$

$$\text{and } v_1(n) = k_2 v_1 + k_1' v_0(n) \quad (8b)$$

then from equations 8 we obtain the recursive relation for v_0

$$v_0(n) = k_2 v_1 + k_1' v_0(n-1) \quad (9)$$

This is a Markovian process, familiar in the study of difference equations. It is a simple repetitive updating process, and it can easily be summed if we assume that v_i is a constant (also for certain specific functions). The pattern of the output voltages is a sequence of constant value steps $v_0(n)$ of duration from periods $t + (n-1)\tau$ to $t + n\tau$

$$\begin{aligned} v_0(1) &= \text{arbitrary} \\ v_0(2) &= k_2 v_1 + k_1' v_0(1) \\ v_0(3) &= k_2 v_1(1 + k_1') + k_1'^2 v_0(1) \\ v_0(4) &= k_2 v_1(1 + k_1' + k_1'^2) + k_1'^3 v_0(1) \end{aligned} \quad (9')$$

In general

$$v_0(n) = k_2 v_1(1 + k_1' + \dots + k_1'^{n-2}) + k_1'^{n-1} v_0(1)$$

The initial condition $v_0(1) = \text{arb}$ is propagated through the equations. If $|k_1'| < 1$ then the amplitude coefficient $k_1'^{n-1}$ tends to zero and the initial 'transient' or arb. value $v_0(1)$ becomes insignificant in the successive propagation through the generations and so has little effect on the long-term future of the output voltage of the amplifier for a constant step input v_i . The sum is recognised as a geometric progression and so the general formula can be written

$$v_0(n) = \frac{k_2}{k_1' - 1} (k_1'^{n-1} - 1) v_i + k_1'^{n-1} v_0(1) \quad (10)$$

As a simple check, the ratio of terms $k_2, k_1' - 1$ 'cancel' to give a recursive dimension of $n-1$ in both coefficients. This equation is the complete switching solution to the feedback amplifier for a step

voltage v_i . Now examine this to find the conditions for various modes of operation.

Conditions for special cases

Firstly the feedback system is stable if and only if $|k_1| < 1$. If $k_1 \rightarrow +1$ there is uncontrollable growth, which in reality leads to saturation when constrained by finite supply line voltages. If $k_1 \rightarrow -1$ this point on the circle of convergence of the mathematical sequence-generating process of equation 9 leads to switching oscillation in a mode similar to a bistable with an (ideal) frequency of $\nu = 1/2\tau$.

As $n \rightarrow \infty$ for the stable region, equations 9 or 10 give

$$v_0(\infty) = \frac{k_2}{1-k_1} v_i(\text{const. step}) \quad (11)$$

where $|k_1| < 1$. The stability condition is equivalent to $|\mu| < (R_1+R_2)/R_1$ i.e. the feedback can be very loose, up to open-loop gain. It must not be too strong otherwise it leads to strong self-interaction and instabilities, which in reality are damped and manifest themselves as distortions of the signal.

Substituting into equation 11 for the constants into terms of the parameters of the system using equation 7 we obtain the closed-loop amplification factor as

$$A = \frac{v_0(\infty)}{v_i} = \frac{\mu R_2}{(1-\mu)R_1 + R_2} \quad (12)$$

Consider three limiting conditions of the three variables μ , R_1 , R_2 . First if $R_2 \rightarrow \infty$ then $A \rightarrow \mu$, the open-loop gain as expected. Secondly if μ is very large (and negative only, because of the real-ly impassible singularity of a pole at $k_1 = +1$) the dominant terms in equation 12 are

$$\frac{v_0(\infty)}{v_i} = \frac{-R_2}{R_1} \quad (13)$$

where $|\mu| \gg 1$ and strictly $R_2/R_1 > |\mu| - 1$, though in practice this condition is ignored and is only realistically valid for $\mu < 0$.

We recover the usual equation for the negative-feedback 'operational' amplifier but the more general formula 12 also allows for a small positive feedback for regeneration as long as $|k_1| \leq 1$ as assumed in this analysis for taking the limit $n \rightarrow \infty$ to be finite gain A. Note that in 12, as $k_1 \rightarrow 1(-)$ the third mode (of regenerative amplification) gives

$$\frac{v_2(\infty)}{v_i} \approx \frac{R_2}{R_1} \frac{(R_1 + R_2)}{[R_1(1-\mu) + R_2]} \quad (14)$$

for $\mu \leq 1 + R_2/R_1$. The singularity structure for regenerative amplification from 14 can be found if we denote the small linear error in μ from the limiting values as δ , and put

$$\mu = 1 + \frac{R_2}{R_1} - \delta \text{ near singularity}$$

and substitute this into 14 to obtain

$$\frac{v_2(\infty)}{v_i} \approx \frac{R_2(R_1 + R_2)}{R_1^2} \frac{1}{\delta}$$

The $1/\delta$ factor shows that the singularity is a simple pole.

* * *

We can analyse what is happening at the amplifier input v_1 using equation 8b and the general solution 10 for $v_0(n)$. From 8

$$v_1(n) = k_2 v_i + k_1 v_0(n) \quad 0 \leq k_s < 1 \quad s=1,2 \quad (15)$$

where the terms k_s contain no gain μ so must both be positive, less than unity, by definition 7, for real resistances and the direction of change of $v_1(n)$ is always in the same sense as $v_0(n)$, and the general solution is

$$v_1(n) = \frac{k_2}{k_1 - 1} (k_1^n - 1) \frac{v_i + k_1 v_2(1)}{\mu} = \frac{1}{\mu} v_0(n+1) \quad (16)$$

from 10, which is curious in that it says $v_1(n)$ depends on the future value of $v_0(n+1)$, but as a repetitive causal process it is quite sensible. The limiting condition if $|k_1| < 1$ as $n \rightarrow \infty$ is

$$v_1(\infty) = \frac{k_2}{1-k_1} \frac{v_i}{\mu} = \frac{1}{\mu} v_0(\infty) \quad (17)$$

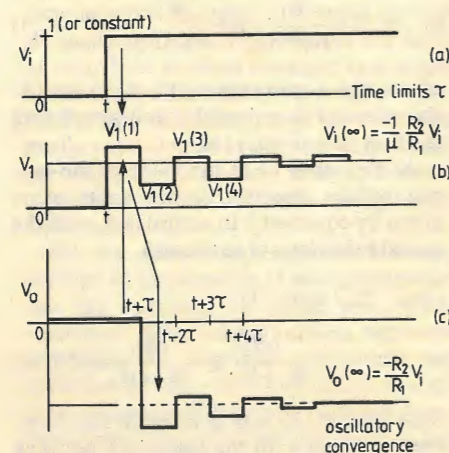
from 11 and in accordance with 1.

Further if $\mu \rightarrow \infty$, $v_1(\infty)$ tends to zero, the direction of approach depends on the sign of v_i in 16 and is a damping effect, and we obtain the condition for the so-called 'virtual earth amplifier'.

* * *

A graphical analysis makes this algebraic description meaningful in considering two special cases, for $k_1 < 0$ and $k_1 > 0$ with $|k_1| < 1$ assumed throughout this analysis.

First, if v_i is zero for all time from $-\infty$ up to t we may also suppose v_0 has been zero, say. At t the input voltage jumps to a constant level for the rest of time, Fig. 4(a).

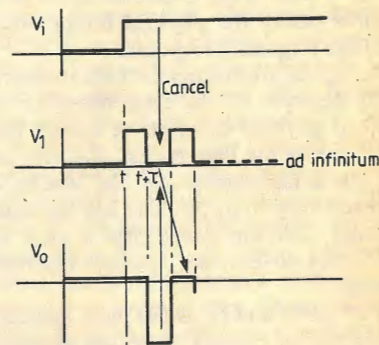


Instantaneously v_1 varies to a value the same sign as v_i . After τ we see v_2 responds overshooting and undershooting the ultimate limiting value. The finite (causal) time delay in negative feedback systems explains the 'overshoot' of the Gibbs phenomenon in Fourier's analysis. In mathematical function analysis we are looking for self-consistently matching or fitting functions using the limiting calculus (when we let $\tau \rightarrow 0$ in continuous functions) and using infinitely many degrees of freedom

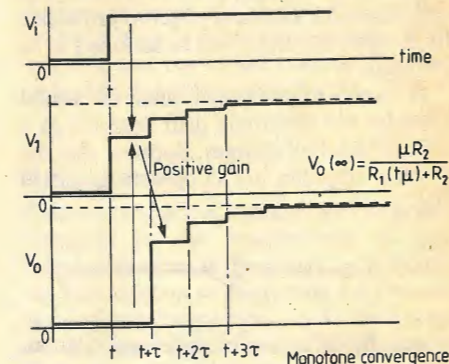
($n \rightarrow \infty$) to model behaviour near discontinuities. The condition for stability in negative feedback is

$$-\left(1 + \frac{R_2}{R_1}\right) \leq \mu \leq 0.$$

The condition for switching oscillation is when $\mu = -(1 + (R_2/R_1))$ or $R_2/R_1 = |\mu| - 1$ then the large value of v_0 exactly cancels v_i on alternate cycles in the 'voltage lever', so that the voltage at the input of the amplifier v_1 switches between values $v_1(1)$ and zero, where $v_1(1)$ is given in 3 and we see that it retains a 'memory' of the arbitrary initial value $v_0(1)$, forever echoing through the amplifier system, Fig. 5 (assuming no dispersive processes as in reality causing a loss of information on the structure of the signal into the noise).



In the second case $k_1 > 0$ we can obtain finite regenerative amplification under the condition $0 < k_1 < 1$ i.e. $R_2/R_1 > \mu - 1$. The diagrams for the graphical analysis are easier to construct using equation 9:



This illustrates the second type of convergence of mathematical sequences, it can saturate to a finite value or increase indefinitely. The condition is regenerative positive feedback for stability is

$$0 \leq \mu < 1 + \frac{R_2}{R_1}$$

then the closed-loop gain is finite.

Further investigations

The behaviour of time-delayed control can be studied mathematically in computer simulations on the way the system reacts to more varying input functions than a mere step. Results show that the behaviour of the system depends on the character of the signal being processed - look at the response to square waves, sinusoids, etc. which can induce 'resonances' in the am-

continued on page 79

16-line p.a.b.x with options

Incoming and outgoing exchange calls and call transfer are functions of the flexible electronic/electromechanical p.a.b.x described in this second article.

This first section completes the description of internal conversation and relies on circuit diagrams published last month.

Because O-relay coil values are only 700Ω, a common limiter resistor is included to keep current through the telephones within acceptable limits; only one O relay operates at a time so a common resistor suffices (470Ω, 1W using a 45V supply). The same applies to the G bus, where a common resistor may be included between the G line and contacts gh_2/gi_2 in the external control. Further relay current-limiting resistors should be chosen to suit the relays used, taking into account resistances due to long connecting lines. Using 700Ω relays throughout, typical values are 390Ω, 1W for II, EI, and R relays and 1kΩ, 1W for others using a 45V supply.

Looking at the terminator, ii_2 like ii_1 has been following the movements of II caused by two pulse trains. With the bistable, output at logic 0 and counter 40161 and decoder/latch 4514 enabled as mentioned, operation is as follows. Counter 40161 advances on positive going edges while the 4514 decoder/latch requires negative-going trailing edges. Pulses caused by ii_2 are advanced through the counter and then latched in the decoder. After the final pulse in the second train, b_2 closes, preventing further dial pulses from having any effect as the input bistable is locked and the 40161 counter pin 1 is pulled to V_{ss} , forcing it into a 'no-count' state.

The selected latched output of the decoder has gone to logic 1 which drives the connected T relay through its corresponding transistor enabled through b_2 . As the dialled station's T relay energizes, its t_1 contact prevents the busy-signal caused by a third party from interfering, similar to the o_2 contact of the calling party explained previously. At the same time t_1 prepares a path from the called station through ri_1 to the reply relay R. Finally, b_2 closing started the ringing-tone oscillator/interrupter, RT. Ringing current is sent to the called party from ri_1 through the selected station's t_1 , o_2 and g_2 contacts while the ringing tone is returned to the caller from ri_2 , $2eng_2$ and the caller's o_2 and g_2 contacts. Ringing-interruptor relay RI controls the timing of current and tone.

When the called station answers, reply relay R operates by current from ground through the a-line, the called position, its b-line, g_2 , o_2 and t_1 contacts and ri_1 through R to V_{ss} . Contact f_1 connects a

second holding path for IR and disconnects the ringing tone relay RT which in turn stops the RT oscillator/interrupter through rt_2 . The speech circuit between both sets is completed through r_2 ; operation of r_3 and r_4 contacts will be explained later.

After completion of the conversation both stations replace their handsets. Resetting does not start until both holding paths to IR are broken, i.e. not until both handsets are back in their cradles. Resetting is as follows. Both II and R relays, being disengaged, release IR. Contact ir_1 disconnects all relays held, viz. C, D, E & O, after which e_1 releases the K relay(s). Finally, k_1 prevents the 1-ENG relay from inadvertently operating while k_2 clears the 40161 counter and forces all 4514 outputs low, switching off the T relay. While resetting takes place r_3 helps to prevent relay

by J. H. Kuiper

RT from again starting the RT oscillator in the event of II disengaging long before R. This completes resetting and the system is now ready for accepting and processing the next call.

Both pull-up resistors and the capacitor around ii_2 prevent glitches from ii_2 upsetting the 40161 counter when dialling takes place. The ringing-tone oscillator/interrupter is an adapted version of a circuit previously published (WW Feb. 1981 p.63) and consequently produces a BT-type 'double tone' which provides clear distinction between internal calling and an incoming exchange call employing single-tone signalling (one interruption as opposed to the two produced by BT). If the inverse is applicable then the ringing-tone oscillator should be omitted and the 555 dial tone oscillator replaced by a 556 type, the second half of which produces single interruptions for driving the RI relay. Ringing tone to ri_2 then has to be taken through a 100nF capacitor from the new dial-tone oscillator. The change in B_2 and rt_2 contacts is shown separately.

Table 1 lists the 16 outputs of the 4514 latch/decoder and specifies numbers to be dialled to obtain the required output. As a telephone dial will only produce digits one to zero, causing pulse trains of one to ten pulses respectively, and the decoder has 16

outputs, two digits must be dialled to make all 16 outputs accessible. Swedish telephones having dials marked zero to nine will produce one pulse when dialling zero and ten pulses when dialling nine. Basically the combined number of pulses produced after dialling determines the final output of the decoder. Since two digits have to be dialled the first accessible output will be output two when dialling 11 (1+1 pulses). To access outputs zero and one the counter has to overflow, or dialling 60 and 79 respectively (6+10 and 7+9 pulses) produces output zero while dialling 70 or 89 (17 pulses) results in output one becoming logic one. Any appropriate number of pulses will switch the corresponding output. A list of two groups of consecutive numbers is given. If under ten stations will suffice, relays D and B in the internal control may be omitted. Dialling one digit only will now suffice. Note that contact a_2 has to replace b_2 in the terminator and ringing-tone oscillator/interrupter. No further circuit changes are required. Active outputs of the 4514 are now outputs one to A.

Incoming exchange calls

Each telephone connected has to be modified by fitting a ground key and a led. Details are given in a separate diagram for both UK and continental sets. Both the switch and led operate from the red a-line and a total of four wires from each station to the exchange are required, the common a-line at positive potential, the return line b, the ground-key line GK and the status-indicator led line.

The line interface primarily consists of a remotely controlled telephone in which the cradle switches es, muting contact m and interruptor contact ei are replaced by relay contacts. The exchange line is fully isolated from the internal system. The cradle switches which would normally be operated when lifting the handset are now remotely operated by ground key GK from each of the individual stations through the Ground in and hold relay arrangement GI/GH which is a toggle switch, switching on when closing the station's ground key initially and switching off when the ground key is operated again. Ignoring the condition of l_1 and p_1 for the moment, switching occurs when the toggle input at n.o. contact of l_1 is connected to V+ (by operating the ground key). This energizes

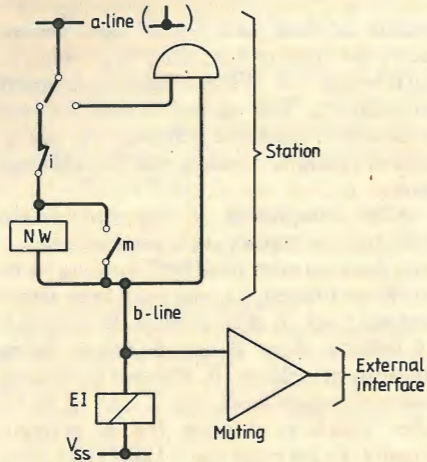
G₁ through the diode while at the same time GH will not operate as it is shorted by gh₁. A holding path for GI is provided by gi₁ (through p₁ on to V+). Releasing the ground key removes V+ from the toggle switch input so GH is activated through gi₁ while the diode now prevents gh₁ from shorting the GH coil. Switching of gh₁ takes place to allow for reset. This occurs on a subsequent operation of the ground key which deenergizes and thus disconnects the previous holding path through gi₁. GH is still held from the input through the diode and won't disengage until the ground key is released.

Operating sequence when taking an incoming call is as follows. An incoming call rings the bell from the exchange a-line through a capacitor, 2cs₁, the ringer and the EB-line which would normally be connected to the returning b-line (all in the line interface). The parallel opto-isolator also detects ringer a.c. and consequently the bell-detector relay BDT switches in tune with the audible signal. In the external control, bdt₁ switches led-switch relay LS and ls₁ connects all leds at the various stations, visually indicating an incoming call. A handset lifted will first establish a path as described earlier under the heading operation, and provided no internal call is being made at the time ringing current will produce an automatic switching pulse through bdt₂ and r₄ equal to the duration of the ringing tone plus the release time of the slow turn-off relay. If an internal conversation is in progress however, r₄ would be open as it would be undesirable to have an incoming call breaking into an existing conversation; r₄ being open prevents automatic switching. Assuming no internal conversation is taking place the

following events occur (following switch order than real-time events).

First a path is established from V+ through the answering station o₃ contact and diodes to its G relay on one hand and through I₁ to the GI/GH toggle on the other. Note that all relay contacts are drawn in their off states. Relay L however is permanently powered when the system is not in use to keep a protective load on the power supply (note the states of I₁ and I₂).

After switch on of GI at the start of the bell signal, contact g₂ in the external control completes connection of the answering station G relay. Its g₁ contact immediately holds G active through g₁, G coil



Basic diagram of a telephone 'off hook', with the bell disconnected and speech path established. Coil EI is active.

The line interface, which is essentially a remotely-operated telephone, is controlled by this, the external-control section.

and gi₂. The station's G₂ contact will break the original connection between this station and the internal control which now resets as if the handset had been replaced as outlined earlier, allowing the next internal call to be made.

Termination of the BDT pulse to the toggle now takes place either by o₃ resetting or the actual end of the bell signal which disconnects bdt₂, whichever occurs first. This allows GH to energize and gh₂ for the moment is in parallel with gi₂. Meanwhile gi₃ prepared S for switch on and gi₄ took over inhibit of the hold oscillator as lcs₄ will release before long. Contact g₂ which initialized resetting of the internal control now connects the external interruption relay EI into the line interface to the answering station.

Contacts g₃ bypasses its q contact thus securing operation of GI/GH toggle from the answering station ground key. Action of g₄ is immaterial in this stage. In the line interface ei₁ doubles m₁ while in the external control, ei₂ provides power for the external reset relay ER. In co-operation with er₂, it also energizes the cradle switch relay IC. Contact lcs₂ operates 2CS so in the line interface lcs₁ connecting the primary transformer coil and 2cs₁ disconnecting the ringer operate as a make-before-break switch. Contact lcs₃ duplicates ei₂ in providing power to CS and through gi₃ (which switched previously) operates S which in turn connects the transformer secondary by means of s₁ and s₂ thus establishing a speech path between the answering station and the exchange line through a capacitor and m₂. At the same time lcs₃ holds the led-switch relay LS on so the leds at each of the stations are continuously lit through h₁ and ls₁ in common

and branching through individual limiting resistors to each of the separate stations and back through their a lines indicating 'a-line occupied' status at all positions. The hold oscillator remains inoperative since gi₄ keeps the oscillator-inhibit input pulled to V_{ss} when lcs₄ disconnects. Relay P is operated by er₁ so p₁ provides the holding path for the GI/GH toggle and p₂ operates the Q relay(s). Note that P acts well before the bell pulse terminates, allowing correct operation. The purpose of q₁ and q₂ will be discussed, but more important each station's q contacts will break. Because only one g₃ contact switched previously, only one station will now have exclusive control over the toggle.

If an internal conversation is being made (contact r₄ open) automatic switching of an incoming exchange call will not occur. Lifting the handset of a third station will produce a busy signal, as outlined through this station's g₂, o₂ and t₁ contacts all being inoperative then onwards through closed k₁ contacts operating IENG. As all q contacts are still closed any station, provided it is off-hook (including the two possibly having a conversation), may operate its ground key and immediately initialize the GI/GH toggle from the a-line, the station's ground key, its GK line, q contact and diode to I₁ thus establishing the speech path manually in a similar way to auto-switching as described above.

After conversation, resetting takes place when the handset is returned to its cradle. This de-energizes EI in the line interface. Contact ei₁ opening has no effect, to comply with line interfacing requirements according to which an interruptor contact may only send dial pulses and not perform a going-on-hook function. This is due to contact m₁ in parallel. Now ei₂ disconnects tje external reset relay ER of which er₁ deenergizes P while er₂ disconnects CS which now performs an 'on hook' operation in the line interface by disconnecting the transformer coil and reconnecting the ringer. Relay LS extinguishes the leds by virtue of lcs₃ which also switches off S. Completing the reset p₁ disconnects the GI/GH toggle thus releasing G while p₂ reconnects all q contacts in readiness for the next line call.

effects due to contact bounce and arcing, an RC network is connected across the i contact). Some time after the final dial pulse, the muting contact will re-open when the dial comes to a halt. The above action will now be imitated under remote control.

A voltage comparator is included which monitors the voltage between the telephone and the EI coil as indicated in the drawing. As the telephone connected represents a resistance (approx. 300Ω), voltage division occurs. Moving the dial shorts this resistance so the reference point goes fully to V+. As a consequence, muting relay M in the line interface operates and shortly after the last pulse, the telephone's m contact opens, the voltage at the reference point drops and consequently relay M disconnects. The RC network across the M relay emphasizes proper delayed operation of the interface m contact. So when dialling takes place EI follows the pulses produced by the telephone while the comparator i.c. reproduces the required muting action, the RC shunt keeping M powered. In the external control section ei₂ pulses a led for monitoring purposes and in the line interface a monitoring led is included in the M coil path. When dialling, the muting led shows up before dial pulses are sent, remains continuously lit with the dial-pulse led showing pulses dialled, and extinguishes some time after the last pulse. Pulsing of ei₂ does not effect relay ER as it is slow to release. CS is held via lcs₃.

Inhibiting out-dialling is accomplished by connecting contact g₄ of the station from which out-dialling is not desired. Any number of g₄ contacts may be connected in parallel. When such a station is connected to the exchange line its g₄ contact will operate muting disable relay MD which disconnects muting relay M. Thus on dialling ei₁ will still follow pulses produced but since m₁ does not operate nothing will happen. Replacing the handset will reset the system as described under the heading 'Incoming exchange calls'.

Call transfer

Incoming or outgoing external calls may be transferred to any other station or private consultations may be made as follows. These relays are switched on - EI, ER, CS, S, LS, GI, GH and the station's G and Q relay(s). Operating the ground key disengages the toggle through appropriate g₃ and e₁ contacts. Firstly when pressing the ground key, contact g₂ secures a hold for CS, g₃ disconnects S and instead energizes ST (its function to be explained) while gi₄ starts the hold oscillator which operates h₁ at approximately 2Hz. This results in all station's leds flashing at 2Hz, indicating the hold status. Secondly, when releasing the ground key gh₂ deenergizes the station's G relay and provides a second hold for CS. Contact g₂ connects the internal control and originator relays which act as described under Internal conversation. It also disconnects EI, ei₁ having no effect by virtue of m₁ and ei₂ releasing ER and by ER disengaging P, and Q reset.

The outcome of this is that in the line interface and external control sections only CS, LS and ST remain powered, the hold oscillator flashes the leds and all stations again have access to the toggle through their q contacts while CS maintains the line connection thus keeping it on hold.

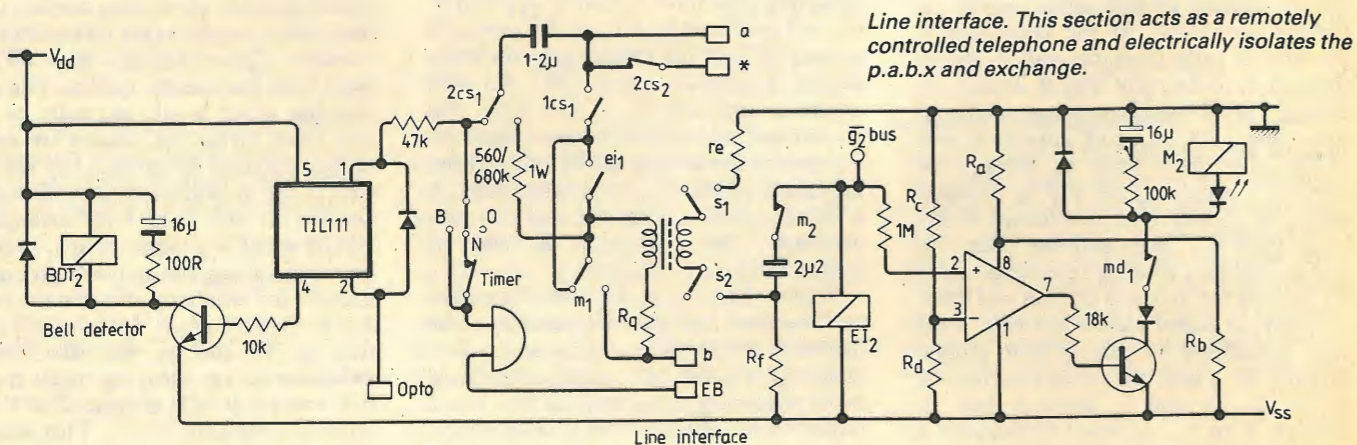
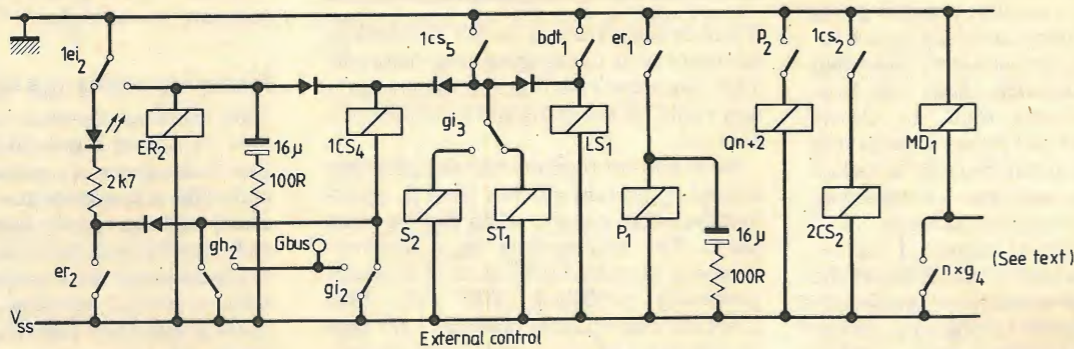
After set-up of the internal control initialized by g₂ switching, internal dialling tone will be heard and the required station may be dialled. If private consultation only is required, or in the event of no reply, the calling station may return to the party on hold by operating its ground key. Alternatively the called station, when informed that there's a caller 'under the button' may take over the outside conversation by operating its own ground key. Access to the exchange line is regained by the switching action of various relays as outlined under 'Incoming exchange calls', with the difference that CS remains powered all the time, first by gh₂ not operating until the ground key is released and when it is released by energizing of ER causing er₂ to hold CS long before GS switches (explaining parallel connection of gi₂/gh₂). The hold oscillator will be stopped by gi₄ and the leds remain on continuously, again indicating a line-busy status.

In the event of no reply when trying to transfer a call, further attempts may be made in two ways. The usual procedure is to operate the ground key twice. The first operation will reconnect the exchange line and reset all internal circuits and the second push will regain access to the internal system, leaving the outside party on hold as described above.

The second procedure is to replace the handset and picking it up again while in hold mode. In a centrally supervised switchboard stations replacing the handset while having a caller on hold would automatically reroute the caller back to the switchboard, but as in this system every station is a switchboard in its own right the outside call won't be lost. Reset and set up will occur as explained under 'Internal conversation'. Finally, after completion of a transfer the initial station has two indications as to whether or not the transfer was successful - the led will stop flashing and the engaged signal will be received. This engaged signal will be given because as outlined earlier the internal circuits will not reset until both handsets are replaced so although the called station took over the conversation its t₂ contact will still be closed. As the calling station's g₁ contact will now also be on, holding relay G active, it will also operate relay 2ENG. Contact 2eng₁ starts the engaged oscillator and 2eng₂ provides a path for the busy signal through the initial station's held o₂ contact and its g₂ contact to this station. The initial station may now go 'on-hook' which resets all internal circuits.

Options are discussed in the next section, including connection of auxiliary equipment, paging and self-test.

There were one or two crossed lines in last month's circuit diagrams. Readers sending a large s.a.e. to Wireless World p.a.b.x., Quadrant House, The Quadrant, Sutton, Surrey SM2 5AS will receive amendments and a copy of the author's notes on construction.



Line interface. This section acts as a remotely controlled telephone and electrically isolates the p.a.b.x and exchange.

Three-to-one cable applications

According to figures issued by the Department of Trade and Industry and the Home Office, there have been 37 applications to provide up to 12 cable tv pilot projects. Each application is to be evaluated by EIU Informatics, a subsidiary of the Economist Intelligence Unit. Their report will be considered by independent advisers who will submit their findings to the appropriate Secretaries of State. The pilot schemes are a limited experimental phase to be put into action before the full legislation for the proposed cable authority can be enacted. Applications had to be submitted twice; to the DTI for telecommunications licences to install and run the systems, and to the Home Office for a licence to provide programme services.

National Consumer Council

A letter sent to all the applicants for cable television licenses by the National Consumer Council, stresses the need for such services to meet the needs of ordinary consumers and suggests that to be a successful cable operator, skill must be used to interpret what the consumers want from cable, providing entertainment and services at a price that represents value for money.

Five specific points are presented that the applicants are urged to take into account. The plans and proposals should be made public so that consumers would have the opportunity to discuss the programme content; the operator may be helped in interpreting the need of the local community by forming a local consumer advisory group; a useful part in the local community could be played by allowing access to local voluntary organizations; the provision of a local database and 'notice board' should be taken into account in the medium term development of the company's strategy; interactive services, home banking and shopping for example, seem to offer advantages to the majority of consumers, and especially to the housebound and disabled, such a service should also be part of the medium-term strategy.

As a national body, the NCC cannot comment 'on the appropriateness of any plans to meet the needs of a specific local community, but their experience is that the consumers can do it themselves.

BT to sell tv cables

British Telecom is negotiating multi-million pound contracts with British industries to supply the advanced technology needed for cable tv. The orders are for 'switched star' systems, favoured by the Government for longer term franchises. BT expects to be able to offer the system in the second half of next year, in time for the

introduction of the first new networks. Customers will be able to dial the service they require with a possible selection from up to 30 channels of broadcast and satellite tv and radio programmes; a pay-as-you-view channel; a selection of programmes available on demand from a video disc library, security locks; cable videotext; Prestel and remote banking and shopping. Future expansion could provide electronic mail, alarm services, remote meter reading, opinion polling and home computer and video games programs.

The system is being offered by BT Cable, an organisation created by BT

specifically for marketing in this area. They are involved with supplying the system to ten potential operators.

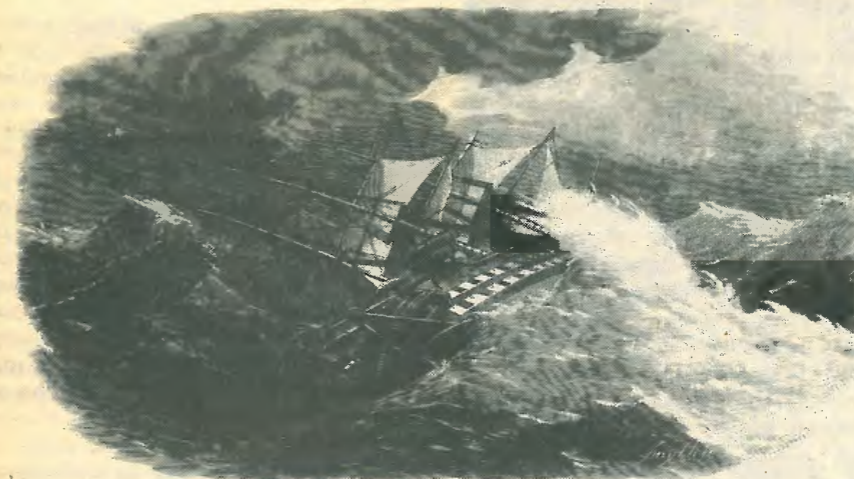
● Mr Roy Fairbish, formerly a commissioner with the Canadian Radio-Television and Telecommunications Commission, is to join BT as a special adviser on cable tv. He will advise BT top management on the market potential for cable tv and related services, and on the preparation of franchise applications. Mr Fairbish has had considerable experience with cable tv companies in Canada and the US and was Managing Director of CJOH-TV, a cable tv network in Ottawa.

Stolen yacht caught in the net

When the 40ft ketch *Frizelle* was stolen from Alicante it was reported to the local amateur radio maritime network. Such reports are repeated twice a day and the news spreads world-wide through various relay stations. About two weeks later, a member of the network spotted a boat 'answering the description' of the *Frizelle* in Arrecife, Canary Islands. Registration and engineering serial numbers confirmed it to be the stolen yacht which was probably on its way to South America, where incidentally other sailing 'hams' had already been alerted.

The nets are organised for the informal exchange of position, weather and harbour information but some dramatic rescues have been assisted by floating radio amateurs. In the Round-the-World yacht race, a French competitor, Jaques de Roux, was sinking in the South Pacific. He pushed the 'panic button' on his satellite tracking transponder. The 'ham' relay station in Newport, Rhode Island alerted the UK station who passed the information to their New Zealand counterparts. The New Zealand station was in touch with Richard Broadhead, another competitor who was 300 miles away from De Roux. Richard got to Jaques when he had only four inches of freeboard left. The UK network was started in September 1969, by David Jolly, who kindly provided the information.

Industrial robots with an integrated vision system are being introduced by the Swedish company, ASEA. The one shown identifies the workpiece, visually inspects it and orients it. Its 'eye' is a c.c.d. tv camera in conjunction with grey-scale image processing, claimed to be much better than binary systems as it does not need special lighting. Programming involves a 'learning' procedure in which the object is placed in front of the camera and the image is processed. The system then collects data on the orientation of the object and checks it to show that it really 'recognises' the object. Defining the robot's grip position is included in the programming mode. ASEA are at 721 83 Vasteras, Sweden.



125 years ago, HMS Agamemnon went through considerable difficulties when laying the first complete transatlantic cable: in June 1858 there was one of the severest gales ever reported. The cable was inaugurated when Queen Victoria sent a 90-word telegram of congratulation to the President of the United States which took 16½ hours to transmit. The new transatlantic cable, TAT-7, was inaugurated in October, exactly 125 years after the first one. It can carry more than 4,200 simultaneous phone calls and can handle computer data and telex messages. It boosts Britain's transatlantic cable capacity by more than 50%, and restores the cable to satellite ratio to 50-50. An historic link between the two cables is that STC provided the new one and their predecessors, Glass, Elliot & Co. provided a proportion of the original. The next cable, TAT-8, already at the planning stage, is likely to offer digital transmission along glass fibres.

New role for BTG

The principal role of the British Technology Group (the amalgamation of the National Research Development Council and the National Enterprise Board) will be to assist the translation into commercial products of new research ideas, particularly those from the public sector where the Government is the ultimate owner of the industrial property. The idea is to bring together the researcher who has made the discovery, companies who are looking for new products, and venture capital institutions who are willing to finance fresh ideas. There is often a gap between a research idea emerging and its commercial exploitation and the object of the BTG will be to act in collaboration with and in support of private initiative.

The services of the BTG will include: maintaining contact with research work, particularly in universities; helping to evaluate the 'marketability' of new ideas from both public and private sources; assistance with their development and with their protection through patents; helping industry and financiers to identify research work of potential interest to them by means of a database or through active search, particularly for the smaller companies; support for new companies to start up where other means of exploitation cannot be found, particularly those based around the researcher.

Business software directory

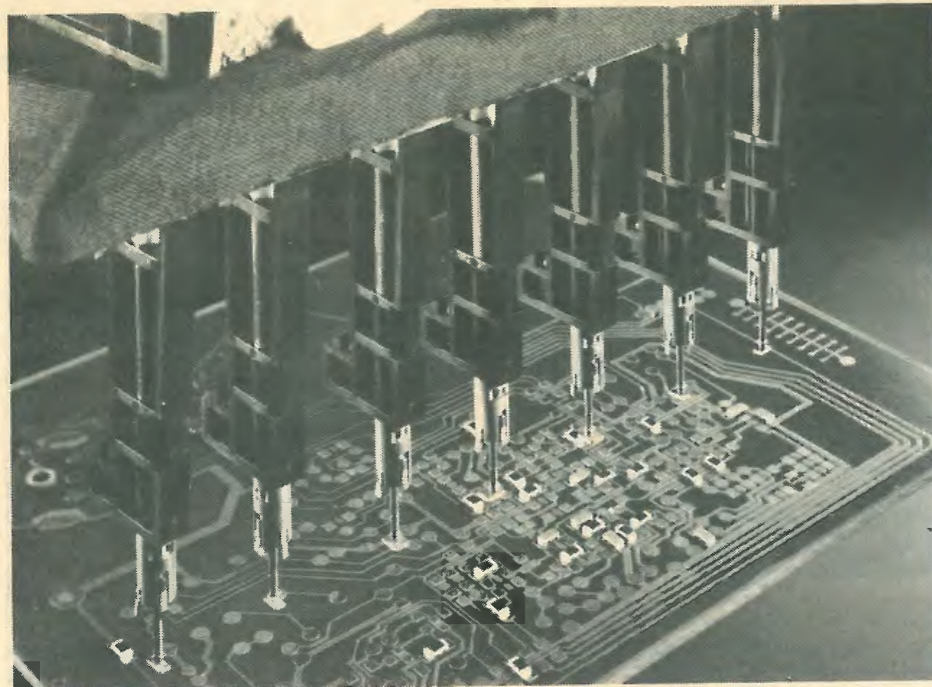
The Department of Trade and Industry is to finance the setting up of directory of business software for microcomputers. This is intended to provide a showcase for the "thousands of software authors in this field". The directory is to be compiled by the NCC Microsystems Centre, 11 New Fetter Lane, London EC4A 1PU. When the project was announced, John Butcher MP said: "British programmers are the most talented in the world but many of them, particularly the one-man bands and home enthusiasts, have difficulty in marketing their products. I am determined to give them an opportunity to gain national exposure and take advantage of a domestic installed user base which is the highest, per head of population, in the world". He hoped that the creation of the directory would give the programmers the boost they needed so that they would become able to beat any international competitors. We hope so too and look forward to similar directories in the fields of science and industry.

The NEB's investment programme is to be concentrated on this 'technology transfer' activity and the existing portfolio is to be disposed of. The BTG will be permitted to retain all income arising from its activities with the objective of becoming self-financing.

The present Chairman of the BTG, Sir Freddie Wood, is to retire early, as soon as the role of the Group has been fully formulated.



Martin Schimmer and Tim Lyons are the producers and presenters of Radio West's *Datarama* programme on microcomputers. The Bristol ILR station claims a 'first' for a programme which in addition to reviews of the latest equipment and software, and news, actually broadcasts computer programs. The signals are taken from the cassette outputs of a number of popular micros.



Used in hybrid microcircuits for some time, surface mounted components offer considerable saving in space. Mullard have developed automatic placement machinery so that the components may be used on conventional p.c.b.s. Illustrated are pick-and-place arms from an MCM III machine which can orient the components and lower them on to the p.c.b. which has been automatically prepared with spots of glue to hold the components prior to wave soldering. Each bank of arms can place 32 components in 2½ seconds and up to four banks can be used in one computer-controlled machine. Advantages claimed for the system are a 30% saving in space, and a 50% saving in assembly cost with a quality assurance of better than 50 ppm.

Zilog 32-bitter

Some details have been released of the Zilog Z80000, a 32-bit microprocessor which has on-chip cache and memory management. The instruction set, internal and external data paths and data types are all 32-bit. The c.p.u. is compatible with the 16-bit Z8000 but has greater computing power and is more versatile. The single chip supports 4Gbyte of directly addressable memory and runs at a clock speed up to 25MHz. 'Pipelining' allows more than one instruction to be executed at the same time and prototype performance tests have yielded an average of 2.2 cycles to execute all instructions, including jumps and multiplication and division. The high speed is partly due to the inclusion of a 256-byte cache memory on the same chip. This stores copies of the memory locations most recently referred to. If a memory location is accessed, the cache is checked first and the contents may be read indirectly without needing to access the main memory. The c.p.u. has two main operating modes; Normal, for user programs; and System, for internal operating systems functions. This separation protects the critical parts of the operating system from user access and takes care of all the time-critical or background tasks in multi-tasking applications. The chip has 16 32-bit general purpose registers to hold addresses or data and

there are two arithmetic and logic units, one of which is used for address calculations, the other for program execution.

The Z80000 has about 150,000 transistors on the chip and is made using Zilog's Z4 process, producing an n-mos chip with 2-micron geometry. Samples of the processor, housed in a 68-pin leadless package will be available in spring 1984 with production quantities to be available in summer.

"Mercury" in Texas

A telecommunications system similar to the UK Mercury system is to be developed along the railway lines of the Missouri-Kansas-Texas Railroad. The railroad company will be the major shareholder of the telecommunications company, partnered by Cable and Wireless who will install some 560 miles of fibre optic cable between Dallas and Houston by way of San Antonio and Austin. When the initial requirement of the railroad company's own communications are fulfilled, the rest of the 24,000 available voice channels will be leased on a wholesale basis in minimum quantities of 45Mbit/s, equal to 672 voice circuits. Further extensions of the system will be in response to 'market pressures'.

New frequency for Southern Sound

The 41st Independent Local Radio station opened in Brighton with the title of Southern Sound. Two new transmitters will cover an area along the southern coast from about Goring in the West to Peacehaven in the east, and inland as far as Haywards Heath. One interesting feature is that the station has been allocated the v.h.f. frequency of 103.4MHz, very near the end of the scale on most v.h.f. receivers and in an area still dominated by emergency communications services. By international agreement these frequencies are to be released for public broadcasting. So ILR now has a toe-hold in this part of the spectrum.

Dish in the docks

London's first satellite earth station is to be built in the heart of derelict dockland. Planned to be operational early in 1984, the station is to have two dishes, each of 13m diameter operating in the 11/14GHz frequency band. One will operate in conjunction with ECS the European communications satellite, the other with Intelsat V, over the Atlantic Ocean. With a quick substitution of a few components, either will be capable of assuming the role of the other. The antennae and transmission equipment is to be supplied by Marconi Communications Systems and the station built and operated by British Telecom International.

No v.h.f. tv after 1984

Following the report of the Merriman Review of the spectrum, the BBC and the IBA have issued a joint statement that the 405-line v.h.f. tv service is to be progressively shut down during 1984 with the last stations being closed during the first week of 1985. They estimate that 99% of the population already receive the 625-line u.h.f. service from BBC-1, BBC-2 and ITV and 90% also receive Channel 4. U.h.f. stations are being installed at about 60 a year to cover the remaining areas. However it has been admitted that some small remote communities will still be without u.h.f. tv by the end of 1986.

Those who are affected, and they can easily identify themselves as those at present unable to get BBC-2, which is u.h.f. only, can get more information from the Engineering Information Departments of both broadcasting authorities.

Practical subwoofer design

This add-on active filter design was designed to match a pair of LS3/5a loudspeakers but is easily modified to match other small high quality speakers.

This subwoofer system was designed to match a pair of LS3/5a speakers, but is easily modified to match many other small high quality speakers. The application called for an add-on system, requiring no modification to the existing stereo amplifiers. In addition, I decided it is necessary to have a subwoofer with an adjustable "low end" so that the system would suit a range of signal sources. Finally, I hoped to design a subwoofer which would fit into my rather small listening room and yet provide adequate output down to 20 Hz.

For my style of listening I determined that 88dB spl is an adequate sound pressure level. A single B139 l.f. unit driven by an amplifier delivering up to 30 volts r.m.s. can deliver this sound level. Of course extra sound can be bought by multiplying speakers and amplifier power, however Bach organ music sounds very authentic in my room with the volume control at partial 'wick', so I am satisfied with what I have.

A transmission line enclosure — effectively a long pipe behind the driver — has several attractions. A seven or eight foot tapered pipe filled with long fibre wool should be easy to build, and should provide low bass with good efficiency and few complications.¹ However such theoretical advantages are compromised in transmission lines that are folded because they suffer from resonances. Sadly, an unfolded transmission line would not fit in my listening room.

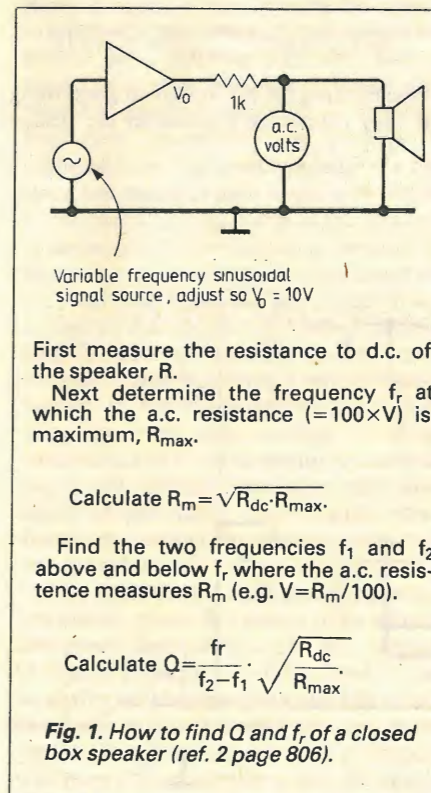
The best remaining choices are reflex and closed box enclosures. The reflex enclosure is tricky to tune, and the tuning depends on parameters which I believe are not stable with regard to time, temperature, and humidity. The closed box is the smallest and therefore also most easily made rigid of the types of enclosures considered. This appealed as I am not a great craftsman in wood, and I also have little space. Hence it was chosen and its peculiar problems coped with electronically.

The problems of a closed box enclosure are that it raises speaker resonance (the transmission line actually lowers it) and that it rolls off sound output level from the resonant frequency downwards at 12dB/oct, behaving like a second-order high-pass filter.² Thus a flat electrical input will not produce much acoustical output below the resonance. The answer is to provide an electrical input boosted by an antiresonance equal and opposite to the speaker resonance. This is realised in a equalizer placed ahead of the subwoofer's

own power amplifier. The stage must be an active filter having second-order complex zeros with identical resonance frequency and Q as the poles of the closed box. Such filters ordinarily require either four op-amps or are difficult to tune,³ but I devised a special three op-amp filter which can be tuned easily to equalize the resonance of a subwoofer in a closed box.

by B. J. Sokol

The box can be built with only rough consideration of enclosed volume and then its parameters can be measured electrically. My box, of about 40 litres capacity, doubled the free-air resonant frequency of a B139, which is about the right amount for a properly designed closed box.⁴ Once I'd mounted the unit in the box, filled it loosely with acoustic absorbant and sealed it, I measured its parameters by the method shown in Fig. 1. The measurements yielded 48Hz and Q=0.71. Using these parameters the equalizer is easily tuned.



Variable frequency sinusoidal signal source, adjust so $V_0 = 10V$

First measure the resistance to d.c. of the speaker, R.

Next determine the frequency f_r at which the a.c. resistance (=100xV) is maximum, R_{max} .

$$\text{Calculate } R_m = \sqrt{R_{dc} R_{max}}$$

Find the two frequencies f_1 and f_2 above and below f_r where the a.c. resistance measures R_m (e.g. $V = R_m/100$).

$$\text{Calculate } Q = \frac{f_r}{f_2 - f_1} \sqrt{\frac{R_{dc}}{R_{max}}}$$

Fig. 1. How to find Q and f_r of a closed box speaker (ref. 2 page 806).

The equalizer works as follows. A convenient subsonic frequency was chosen for the filter poles (it must have two poles or its output would become infinite as input frequency approached zero). The frequency chosen was 7.2Hz, the factor of convenience being standard component values. Two non-inverting filters were built with that pole frequency, one a low-pass and one a bandpass, each with a Q of 0.5. The two filter outputs are added with adjustable weighting factors to the original signal. The result is a biquad filter with complex zeroes easily adjusted for both frequency and Q. The mathematics to prove this is simple using complex frequency (s). One need only know the forms of second-order high-pass and bandpass functions and that the quadratic expression $s^2 + As + B$ is related to resonance parameters by $B = \omega^2 = (2\pi f_r)^2$ and $A\omega/Q$. Then the transfer functions are

signal passed straight through:

$$H_0 = 1 = \frac{s^2 + As + B}{s^2 + As + B}$$

bandpass filter:

$$H_1 = \frac{\omega s}{s^2 + As + B}$$

low-pass filter:

$$H_2 = \frac{\omega^2}{s^2 + As + B}$$

The sum $H + kH_1 + kH_2$ will have a numerator of the form

$$s^2 + Cs + D,$$

where C is tunable by k_1 and D is tunable by k_2 without interaction. Thus we have an "orthogonal" means of tuning C and D, which provides an easily adjusted pair of zeros.

Practically, the equalizing filter is adjusted as follows.

- Measure f_r and Q for the closed box woofer as in Fig. 1.

- Earth point A in Fig. 2, apply input signal set to f_r at input and adjust p_2 for minimum output.

- Keep same input, remove the earth and adjust p_1 so that the gain of the equalizer (measured from input to output) is exactly $1/Q$. The shorting of point A is of course to maximize the Q of the zeros to get a sharp null (that is, to make C as small as possible during the second step).

The equalizer is finished. The equalized box will roll-off its output below 7.2Hz. This is too low, so the adjustable low-end filter is added in series with this stage. The

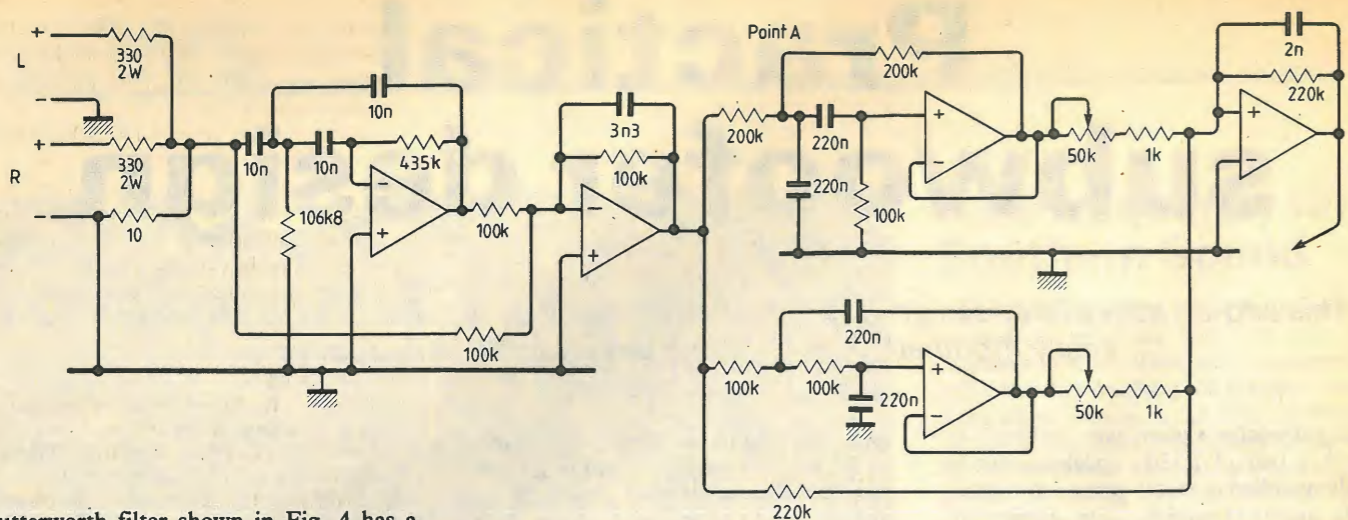


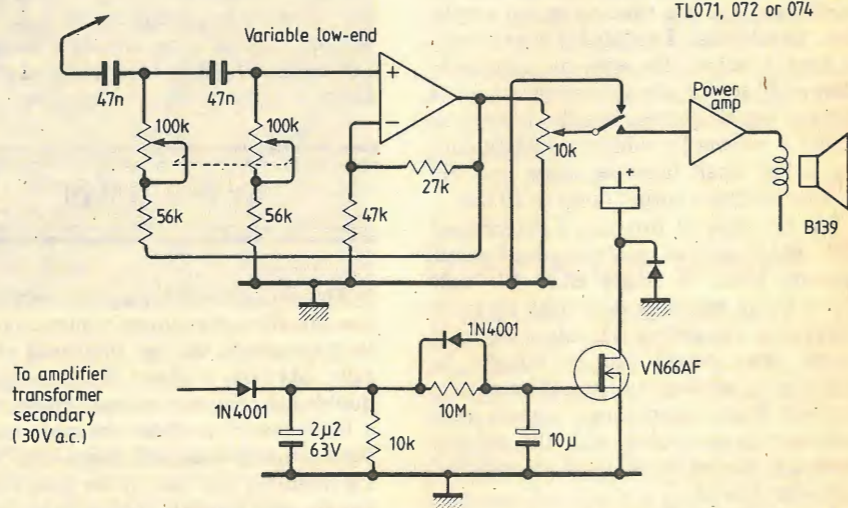
Fig. 3. Design equations for this inverting crossover filter are

$$f_r = \frac{1}{2\pi C \sqrt{R_1 R_2}} \quad Q = \frac{1}{3} \sqrt{\frac{R_2}{R_1}}$$

so it can be adopted to any other small closed-box speaker once f and Q are determined. Left-hand op-amp emulates the LS5/3a response.

mid-frequencies it would muddle the stereo image. My solution was to add two additional single-order sections (one capacitor in each summing stage in Fig. 4) so that there is finally a -18 dB/oct roll-off for the subwoofer.

This solution sounds excellent. In fact the musical effect of the subwoofer is sometimes uncanny. Purcell's Funeral



rapid fall-off in output for both units, can be compensated in other ways.

So the all-pass crossover functions

$$\frac{s^4}{(s^2 + \sqrt{2}s + 1)^2} \quad \text{and} \quad \frac{1}{(s^2 + \sqrt{2}s + 1)^2}$$

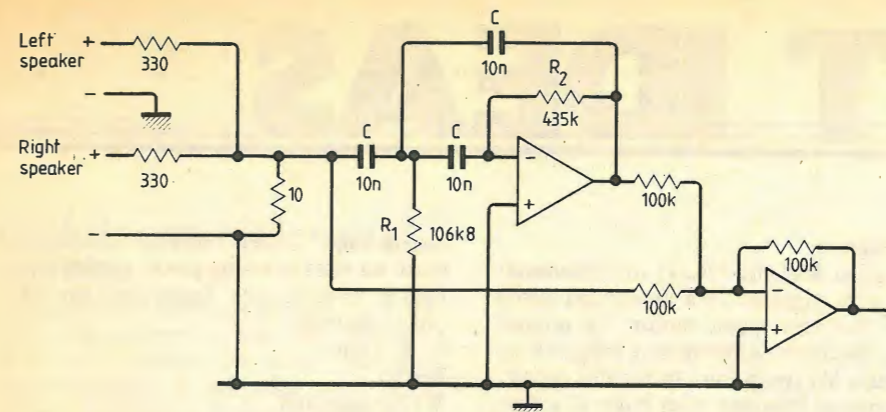
were rejected for my design. A good thing, as they cannot be realized in the desired

add-on system because the side speakers, unmodified, do not have double Butterworth characteristics! In fact, the characteristics of my side speakers are of the second-order filter type, because they are closed boxes. Published graphs show that $f_r = 74$ Hz and $Q = 0.67$. (Many other small speakers are of similar type, and their parameters can be determined by the method of Fig. 1.) The delightfully simple solution to the crossover problem I chose is to subtract an analogue to the response of the side speakers from the total signal and to provide that difference signal (the missing sound) to the subwoofer. The realization of this design is shown in Fig 3 together with equations needed to modify it for other side speakers.

Such a crossover, the asymmetrical constant-voltage type, has a well-known problem.⁷ That is the difference function sent to the subwoofer has a single real zero

$$H_{+over} = 1 - H_{h.p.} = 1 - \frac{s^2}{s^2 + As + B} = \frac{As + B}{s^2 + As + B}, \quad \text{zero at } s = \frac{-B}{A}$$

The consequence is that the subwoofer rolls off at only -6 dB/oct beyond this zero. The B139 can in fact reproduce higher frequencies as its cone doesn't resonate until about 800Hz, but if the third 'channel' were allowed to deliver output at



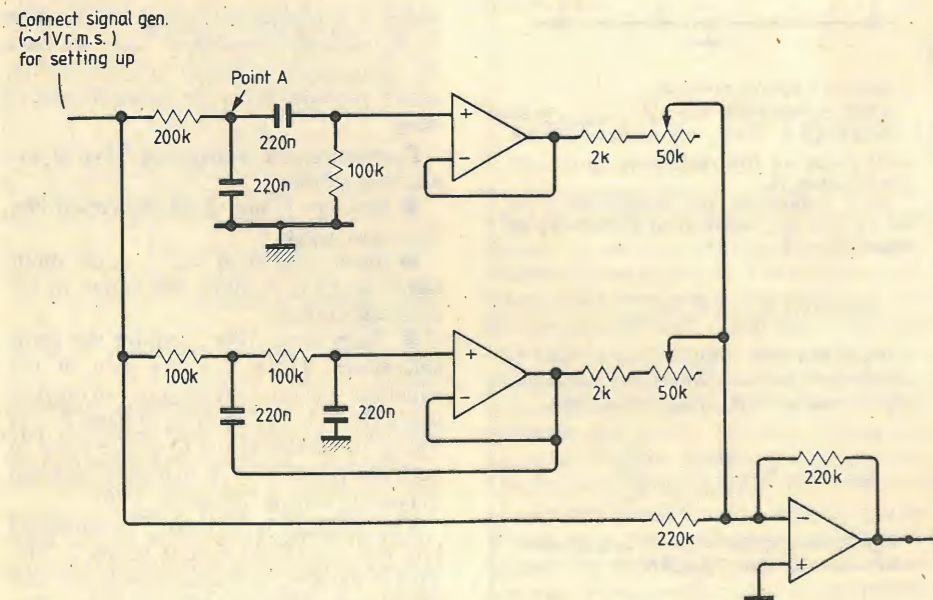
Music for Queen Mary was played during testing when the subwoofer was off to the side away from both side speakers, and yet the great kettle drums seemed to come right out of the tiny LS3/5a speakers. Evidently, the side speakers provided all the transient and higher harmonic information by which the ears determine sound origin.

Two practical notes complete the description of the system. The summing of the stereo channels is achieved using 330Ω resistors at the signal end of twisted-pair cables. As the input impedance of the subwoofer is set to 10 ohms long cables produce no hum pickup. In setting up, p_4 is used to match the subwoofer output to the efficiency of the side speakers - it need not be readjusted when the variable low-end control is used. If the stereo pre-amp were separate from the amp the signal

Butterworth filter shown in Fig. 4 has a high-pass 3dB point variable from 22 to 34Hz. Below its set frequency it flattens the equalizer output and allows the closed box output to roll off at -12dB/oct. The Butterworth filter ($Q=0.707$) produces no peaking, but a Bessel filter ($Q=0.5$) will produce less phase change at the cost of some bass output. If you want to try that simply remove the 47kΩ resistor in the filter shown. I did not hear an improvement with that change. Be sure to earth the case of the dual pot, and make its shaft available from outside the subwoofer enclosure.

Finally the crossover must be designed. Here a lively debate is in progress, with current arguments presenting the all-pass or double Butterworth crossover functions as best.⁵ It is instructive to see why this is not so for subwoofer crossovers. The main advantage of the all-pass crossover is good spatial dispersion in spite of non-coincidence of the crossed-over units. This is hardly significant where the wavelengths in question are commensurate with the size of the listening space. The price of this crossover, uneven power response, could produce boominess, the anathema of bass speakers. Its one remaining advantage,

Fig. 2. In closed box equalizer stage R_2 adjusts f_r and R_1 adjusts Q .



continued from page 27

demand: this increases the rest periods between pulses of the burner and allows the maximum time for the heat to transfer.

Application

Being concerned purely with the manner in which the burner fires, the energy saver should be compatible with any form of timing controller. However, because of the "holiday-cottage effect", it is suggested that best operation may perhaps be achieved with least inconvenience if a two-stage thermostat is used in order to prevent unnecessary cooling down of the structure of the house or other building, because this allows the ingress of conducting damp into the walls, so speeding the dissipation of energy to the outside: this effect does not help the asset much either! Having found a little dry rot at Fowberry Tower before we moved in, the writer knows full well the importance of such matters - if not caught in time it can be positively devastating to all timbers, and cost very much more to put right than a little steady energy usage: wet rot seems to help to let the dry rot in.

The first priority must always be to keep the energy where it is meant to be by using adequate insulation and by stopping draughts especially at floor level - cold draughts do not rise and cold feet tend to make you feel cold so that you want to turn up the heat. The second priority is to use the most efficient boilers, and the third is

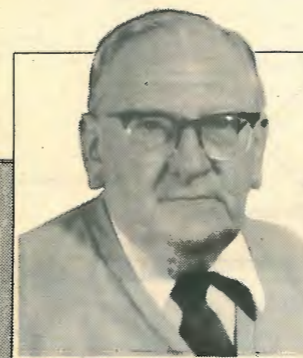
could have been taken from its (post volume control) output. Then another summing op-amp would be needed and the speaker terminals would have to be reversed to restore phase.

Finally let me explain the rather elaborate anti-thump relay shown in Fig. 4. It has two time constants to delay signal half a minute after switch-on and also turn signal off milliseconds after power down. This protects the expensive driver.

Enjoy the restored missing octaves!

References

1. Bailey, A. R., Non-resonant loudspeaker enclosure design, *Wireless World*, Oct. 1965, pp. 483-6. Long fibre wool from Wilmslow Audio.
2. Small, R. H., Closed box loudspeaker systems, part 1: analysis, *JAES* 1972, p.798.
3. Daryanani, G., Principles of Active Network Synthesis and Design. (New York, 1976), p.346 for a four op-amp realization, p. 350 for a hard-to-tune three op-amp realization.
4. Small, R. H., Closed box loudspeaker systems, part 2: synthesis, *JAES* 1978, p.11. Also Zacharia, K. P., On the synthesis of closed box systems using available drivers, *JAES* 1973, p.729.
5. Bullock, R. M., Loudspeaker systems: an optimum crossover characteristic, *JAES* 1982, pp.486-95.
6. Harwood, H. D., Whatton, M. E. and Mills, R. W., Design of the miniature loudspeaker type LS3/5a, Research Dept, BBC Engineering, 1976, pp. 2, 3.
7. Small, R. H., Constant-voltage crossover network design, *JAES* 1971, p.16.



The author

Introduced to building crystal sets at about eight, Jim Macharg applied for his first patent while still at school and has had several patents granted in totally unconnected fields. He conceived the Rectavox Omni loudspeaker, selected by the London Design Centre, and his analysis of the chances of winning on ERNIE was published in Stock Exchange Gazette. After developing a computer, in pre-microchip days, to determine in how many numbers "house" should be called in order to win bingo prizes, seven years of research revealed how actual gas generation in the lead-acid battery could be sensed from the terminals alone. He is at present maintaining an ancient listed Northumbrian landmark, Fowberry Tower, in which his complicated heating system burns about 80 tons of timber per winter.

Correction

Nanocomp to teletypewriter interface. This article in the October issue referred to the 6502 Nanocomp, which does not exist. Two versions of the Nanocomp exist, one using the 6802 microprocessor and one using the 6809. Mr Barton's teletypewriter interface was designed for the 6802 version.

CIRCUIT IDEAS

Z80 reset without memory loss

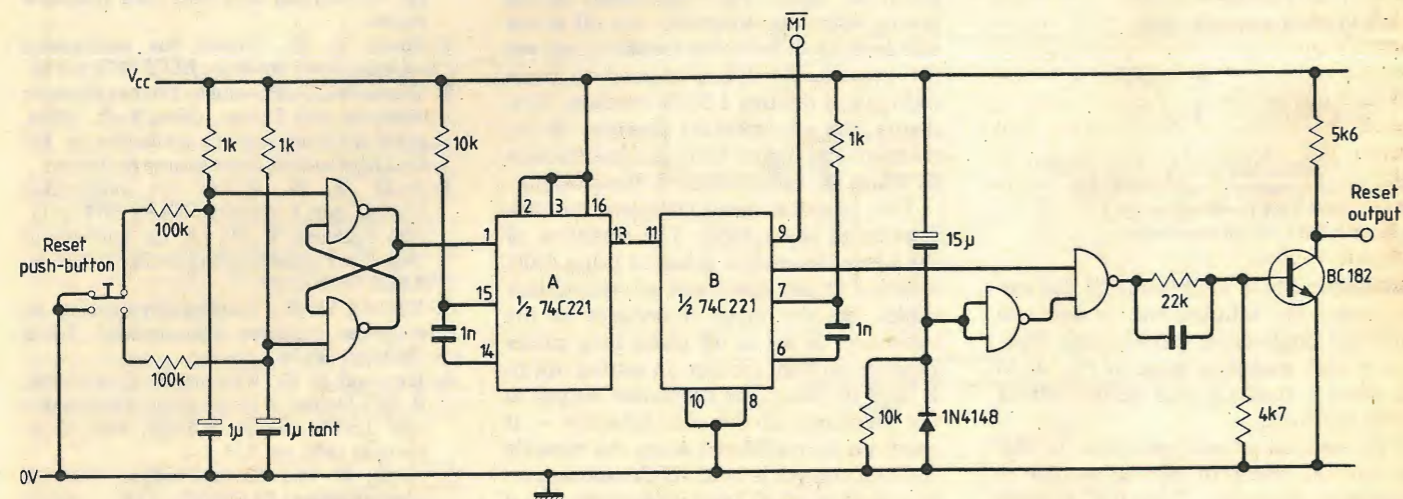
Generating short pulses synchronized with the processor M1 signal, this circuit overcomes the problem of loss of data in dynamic ram which is caused by resetting a Z80 microprocessor used to generate ref-

resh signals.

Section A of the 74C221 dual monostable i.c. is triggered by a debounced signal from the reset push button for around 10µs. Monostable circuit B is triggered by negative M1 transitions during this period, ensuring at least one reset pulse at a time when the processor is executing its longest

instruction. Under normal conditions when no reset is taking place, section B is held in its reset state. Spare gates provide power-on reset.

G. K. Dore
Perton
Wolverhampton

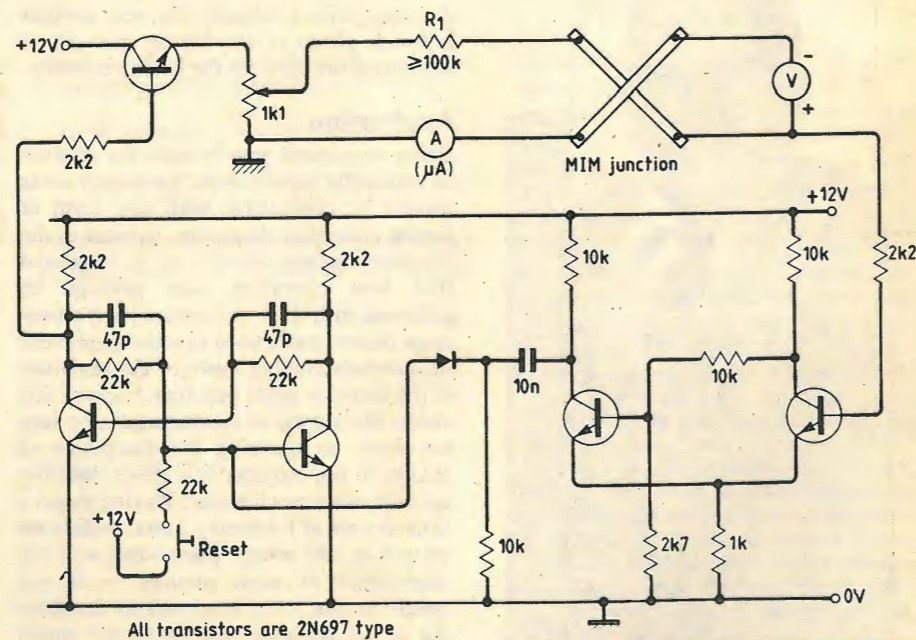


MIM tunnel junction measurements

Breakdown voltages of metal-insulator-metal junctions are measured to obtain information about their work function characteristics, but methods previously described (see page 79) have been destructive and have not allowed breakdown measurements in both directions on the same junction. This circuit switches off less than 5µs after breakdown occurs, leaving the junction intact, and allows repeated measurements to be made on the same junction.

A Schmitt trigger is coupled to a bistable multivibrator through a differentiating network which applies a negative pulse to the base of one of the multivibrator transistors to switch it off when breakdown occurs. The second multivibrator transistor switches on and the emitter voltage of the series-pass transistor falls to zero, cutting off the supply to the junction. Breakdown voltages of less than 0.4V could be measured by setting the Schmitt-trigger threshold at about 0.2V. After each breakdown reading the potentiometer wiper is grounded and the reset button pressed. Resistor R₁ should be a high value.

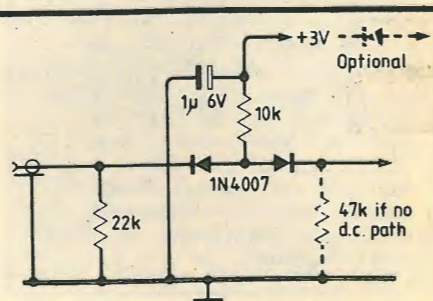
Ijaz ur Rahman
Quaid-e-Azam University
Islamabad
Pakistan



Thunder storm protection

Having lost two r.f. transistors in a recent thunderstorm I designed this simple means of protection which, in the event of a storm, will cost at worst a 1µF capacitor - short of a direct hit of course.

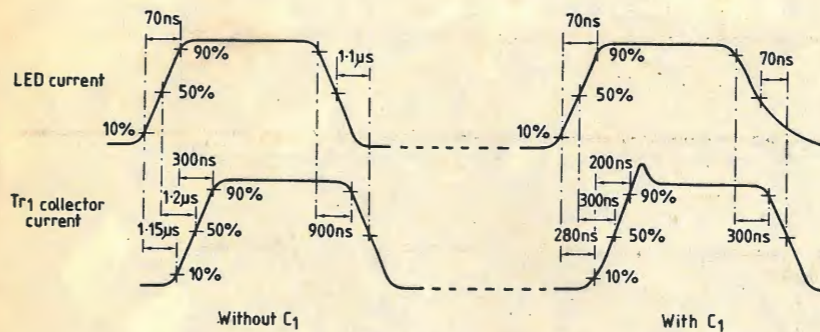
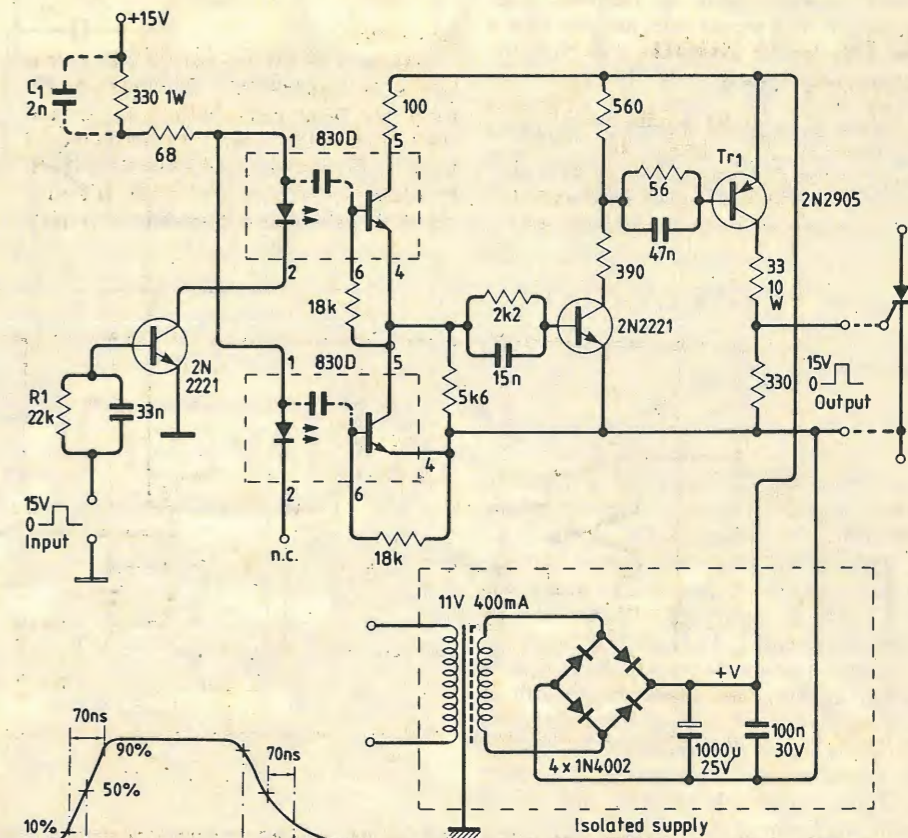
R. G. Young
Newhaven
Sussex



High-speed, high-c.m.r. isolator

Designed for triggering thyristors, this circuit using inexpensive Fairchild opto-isolator units exhibits low delays and fast switching times at operating frequencies greater than 10kHz. During normal operation, only one of the isolators transmits pulses, since a led connection of the second is left open. Common-mode noise would normally cause false triggering through the coupling capacitance of the isolator, but in this case the second isolator also turns on and shorts the emitter resistor of the first isolator. Both isolators are now on, but no pulse is transmitted. Waveforms shown are at 10kHz with 50% duty cycle.

S. K. Biswas
Indian Institute of Science
Bangalore

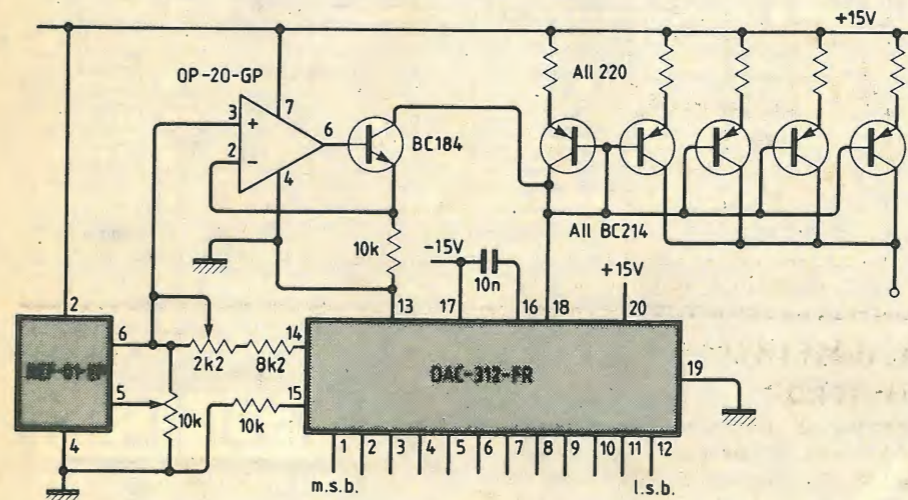


Programmable current loop

An accurate current loop that can be varied between 4 and 20mA is often required for control system calibration and automatic test equipment. This 12-bit digital 4-20mA loop is easily calibrated, is t.t.l. compatible and has a fast settling time. It uses a 10V reference to set the op-amp/BC184 current sink to 1mA. With all-zeros digital input, the 10kΩ potentiometer is used to set output of the multiplying mirror to 4mA. When all digital inputs are at one, the d-to-a converter sinks 4mA, so with the 1mA standing current, the multiplied output is 20mA.

Though 12-bit accuracy may not be needed - few transducers are accurate or repeatable to within 0.25% - the converter's 4mA full-scale current is useful. One or both adjustment potentiometers may be omitted if 0.5% error is acceptable, provided that accurate resistors are used. Output compliance is -25 to +14V.

G. R. Nimmo
Bourns Electronics Ltd
Hounslow
Middlesex



CIRCUIT IDEAS

Low-pass filter design

Many situations occur in electronic engineering where a second-order low-pass filter is required, having amplitude and phase-frequency responses that can be selected by careful design. The simplest way to design a second-order, low-pass filter is to arrange for two RC lag networks to have the same corner frequency with the transfer function

$$\frac{E_0}{E_i} = \frac{1}{(1+sC_1R_1)(1+sC_2R_2)}$$

$$\text{where } \omega = \frac{1}{C_1R_1} = \frac{1}{C_2R_2}$$

An active filter of this form is shown in Fig. 1 and the frequency response, where the corner frequency is 1kHz, in Fig. 2.

To vary the filter response by controlling the rate of change of gain and phase one needs to specify a particular value of damping factor, ζ . The damping factor can be varied over a wide range without significantly affecting the filter's bandwidth as shown in Figs. 3 and 4, these diagrams show the circuit and frequency response of a second-order filter having the same nominal bandwidth of 1kHz but with a damping factor of 0.15. The transfer function is now

$$\frac{E_0}{E_i} = \frac{1/R_1R_3}{s^2C_2C_1 + sC_1(1/R_1 + 1/R_3 + 1/R_4) + 1/R_3R_4}$$

Calculations can be based on the following design equations.

$$C_1 = \frac{k}{2\pi f_0}$$

where $f_0 = 1\text{kHz}$ and $C_1 = 0.01\mu\text{F}$, say, and

$$C_2 = \frac{1}{\zeta} \cdot (A+1)C_1$$

where ζ is 0.15, A is unity passband gain, R_1 is ζ/Ak , R_2 is $R_3 + (R_1 || R_4)$, R_4 is AR_1 and R_3 is $\zeta/(A+1)k$. By applying these design equations, the values given are obtained. Standard values have been selected.

$$\begin{aligned} R_1 &= R_2 = R_4 = 2.4\text{k}\Omega \\ R_3 &= 1.2\text{k}\Omega \\ C_1 &= 0.01\mu\text{F} \\ C_2 &= 1.0\mu\text{F} \end{aligned}$$

D. Cutler
Thorn-EMI Datech Ltd
Somerset

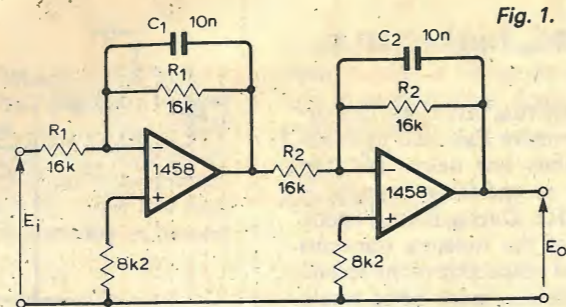


Fig. 1.

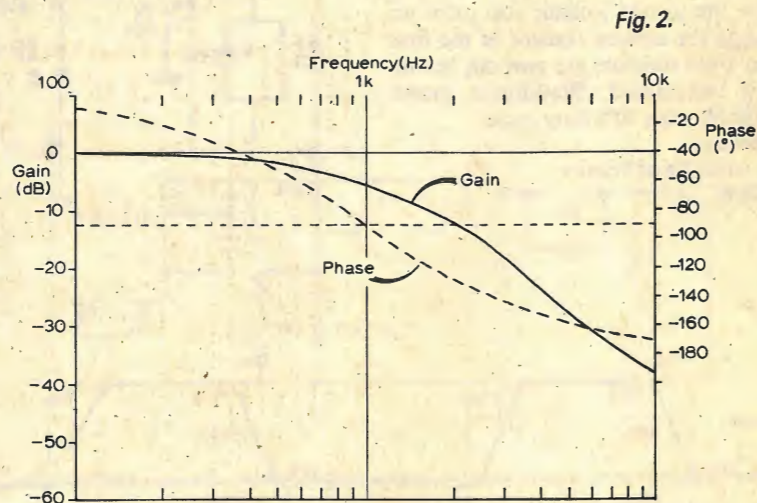


Fig. 2.

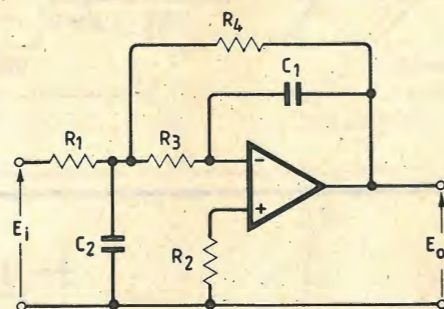


Fig. 3.

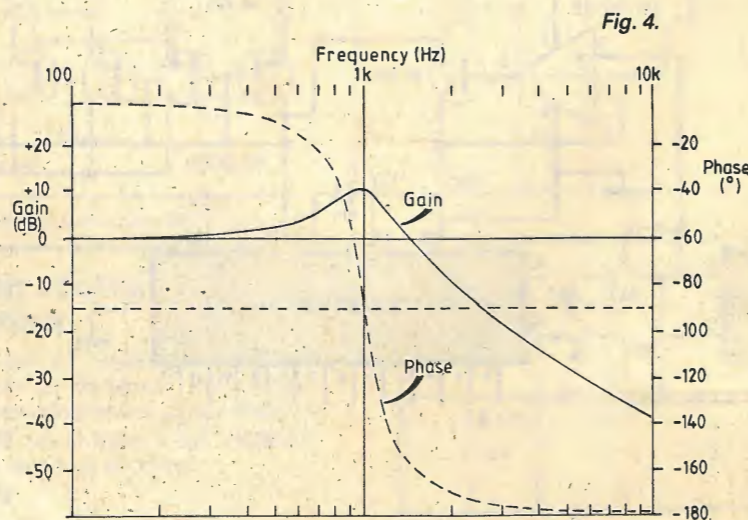


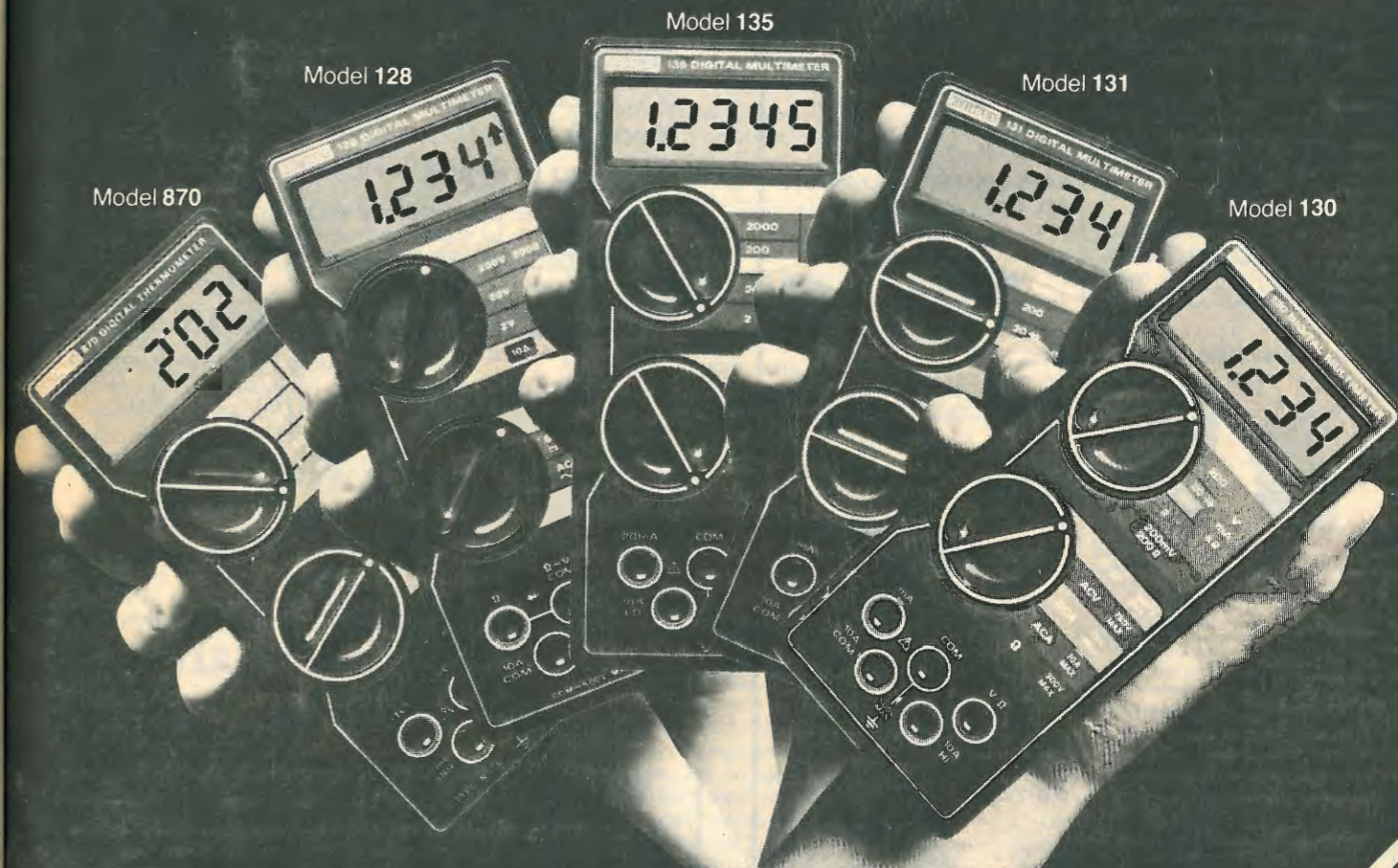
Fig. 4.

HANDSOME!

First there was the 130. A handheld D.M.M. which still sets the standards our competitors strive to match. Next came the 131. The introduction of the 135 saw 4½ digits on a handheld D.M.M. for the very first time.

And that same commitment to innovation has resulted in the latest additions to the range. The Keithley 128 D.M.M. with audio-tone and 870 Digital Thermometer with centigrade and fahrenheit readout.

The result is an unrivalled selection of handheld measuring devices. Each specification carefully matched to a given need. With performance that looks pretty good on paper. And even better in the field!



Model 870 ● 0.025% accuracy ● Centigrade and fahrenheit readout ● Measures up to 1370°C

● 0.1° resolution up to 200°C

Model 128 ● Audio-tone with adjustable threshold ● 25 ranges: 5 functions ● 10 amp span

Model 135 ● 0.05% accuracy ● Full overload protection ● ACU bandwidth to 20 KHz

Model 131 ● 0.25% accuracy ● 25 ranges: 5 functions ● 10 amp span

Model 130 ● 25 ranges: 5 functions ● 10 amp span ● 0.5% accuracy

All models are guaranteed accurate for one year. And built to the high standards of quality expected of the Keithley name.

For more information simply fill in the coupon.

And learn about a range which will serve you . . . handsomely!

KEITHLEY

Keithley Instruments Ltd
1 Boulton Road Reading Berkshire RG2 0NL
Telephone (0734) 861287
Telex 847047

Also available from
I.T.T. Instrument Services, Tel. Harlow 29522

WW-020 FOR FURTHER DETAILS

I would like to know more about your Handheld Units.
Please send me details on D.M.M.'s 870 Thermometer

Name _____ Position _____
Company _____
Address _____
Telephone _____

SECURITY Build your own system and SAVE POUNDS!

DIGITAL ULTRASONIC DETECTOR US 5063



- 3 levels of discrimination against false alarms
 - Crystal control for greater stability
 - Adjustable range up to 25ft.
 - Built-in delays
 - 12V operation
- This advanced new module uses digital signal processing to provide the highest level of sensitivity whilst discriminating against potential false alarm conditions. The module has a built-in exit delay and timed alarm period, together with a selectable entrance delay, plus many more outstanding features. This advanced new module is available at

ULTRASONIC MODULE US 4012



- Adjustable range from 5-25ft.
- This popular low cost ultrasonic detector is already used in a wide range of applications from intruder detectors to automatic light switches and door opening equipment, featuring 2 LED indicators for ease of setting up, the unit represents outstanding value at

INFRA-RED SYSTEM IR 1470



Consisting of separate transmitter and receiver both of which are housed in attractive moulded cases, the system provides an invisible modulated beam over distances of up to 50ft, operating a relay when the beam is broken. Intended for use in security systems, but also ideal for photographic and measurement applications, the system is available at

POWER SUPPLY & RELAY UNIT PS 4012

Provides stabilised 12V output at 85mA and contains a relay with 3 amp contacts. The unit is designed to operate with up to 2 ultrasonic units or 1 infra-red unit IR 1470. Price £4.25 + V.A.T.

SIREN MODULE SL 157

Produces a loud penetrating sliding tone which, when coupled to a suitable horn speaker, produces S.P.L.'s of 110db at 2 metres. Operating from 9-15V, the module contains an inhibit facility for use in 'break to activate' circuits. Price £2.95 + V.A.T.

5 1/2" HORN SPEAKER HS 588

This weather-proof horn speaker provides extremely high sound pressure levels (110db at 2 metres) when used with the CA 1250, PS 1865 or SL 157. Price £4.95 + V.A.T.

3-POS. KEY SWITCH 3901

Single pole, 3-pos. key switch intended for use with the CA 1250. Price £3.43 + V.A.T.

All modules are supplied with comprehensive instructions.

Units on demonstration. Shop hours 9.00-5.30 p.m. Wed. 9.00-1.00 p.m. SAE with all enquiries.

ALARM CONTROL UNIT CA 1250



The heart of any alarm system is the control unit. The CA 1250 offers every possible feature that is likely to be required when constructing a system whether a highly sophisticated installation, or simply controlling a single magnetic switch on the front door.

- Built-in electronic siren drives 2 loud speakers
- Provides exit and entrance delays together with fixed alarm time
- Battery back-up with trickle charging facility
- Operates with magnetic switches, pressure pads, ultrasonic or I.R. units
- Anti-tamper and panic facility
- Stabilised output voltage
- 2 operating modes - full alarm/anti-tamper and panic facility
- Screw connections for ease of installation
- Separate relay contacts for switching external loads
- Test loop facility

Price £19.95 + V.A.T.

SIREN & POWER SUPPLY MODULE PSL 1865



A complete siren and power supply module which is capable of providing sound levels of 110db at 2 metres when used with a horn speaker. In addition, the unit provides a stabilised 12V output up to 100mA. A switching relay is also included so that the unit may be used in conjunction with the US 5063 or US 4012 to form a complete alarm.

Price £9.95 + V.A.T.

HARDWARE KIT HW 1250



only £9.50 + V.A.T.

This attractive case is designed to house the control unit CA 1250, together with the appropriate LED indicators and key switch. Supplied with the necessary mounting pillars and punched front panel, the unit is given a professional appearance by an adhesive silk screened label. Size 200x180x70mm.

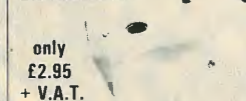
HARDWARE KIT HW 5063



only £9.95 + V.A.T.

This hardware kit provides the necessary enclosure for a complete self contained alarm system which comprises the US 5063, PS 1865, loud speaker type 3575 and key switch 3901. Attractively styled, the unit when completed provides an effective warning system without installation problems. Size 200x180x70mm.

ULTRASONIC MODULE ENCLOSURE



only £2.95 + V.A.T.

Suitable metal enclosure for housing an individual ultrasonic module type US 5063 or US 4012. Supplied with the necessary mounting pillars and screws etc. For US 5063 order SC 5063; for US 4012 order SC 4012.

Add 15% VAT to all prices. Add 50p post & packing to all orders.

Order by telephone or post using your credit card.

RISCOMP LIMITED

Dept. WW6
21 Duke Street
Princes Risborough
Bucks HP17 0AT
Princes Risborough (084 44) 6326

WW - 026 FOR FURTHER DETAILS

Your own customised Communications Monitor



...just 16 lbs

The vast range of available options allows you to customise the FM/AM 500 Micro-Monitor to suit your specific needs, and weighing in at just 16 lbs your 'field-tests' can now be precisely that!

For a practical demonstration to prove our point contact:-
Mike Dawson on 01-897 6446.



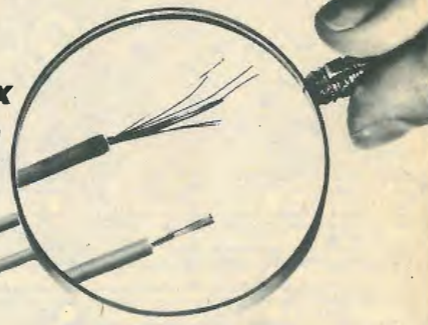
**Fieldtech
Heathrow**

Fieldtech Heathrow Limited
Huntavia House 420 Bath Road
Longford Middlesex UB7 0LL
Telex: 23734 FLDTEC G

WW - 027 FOR FURTHER DETAILS

The smaller the cable... the greater the hazard.

New **Mini Stripax** from Klippon



Stripping small cable with anything but the correct tool can cause unseen damage, and a damaged conductor can be a hidden hazard.

The new Mini Stripax with built-in cutter, provides a perfect finish with one simple stripping action. Cuts and strips cables from 0.08mm² to 1.0mm².

So don't risk your reputation on chance. Get the right tool for the job.

Klippon

Klippon Electricals Ltd, Power Station Road, Sheerness, Kent, ME12 3AB
Telephone: (0795) 663322 Telex 96176

WW - 063 FOR FURTHER DETAILS

LETTERS

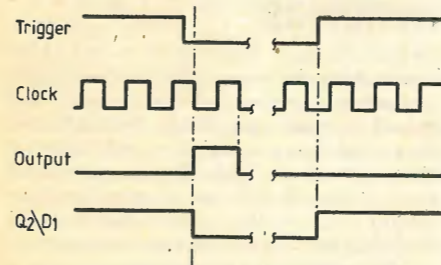
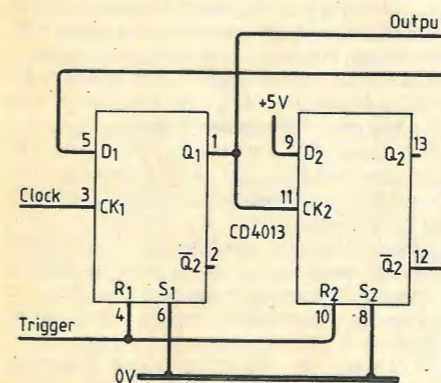
TECHNOLOGY AND PEOPLE

If, as J. A. MacHarg (WW letters, October) asserts in his advocacy of Professor Campbell's theories, "everything we do is done ultimately for stimulation of the pleasure areas which have evolved out of the "smell brain" of the fish", why then is it such a common observation of human life, that those who do what they like rarely seem to like what they do?
S. C. Elliston
Hemel Hempstead
Hertfordshire

PRECISE SINGLE PULSES

With reference to D. A. Haines' Circuit Idea "Precise Single Pulses" in your November 1983 issue I feel that I should draw your attention to the fact that the circuit will produce a glitch on the output when the trigger input returns to the quiescent high state. This high resets Q₁ to a low while the Q₁ output resets Q₂ to a low. Thus during the propagation delay time of the second half of the CD4013, Q₁ is low and Q₂ is high, producing a spurious output.

The same function can be achieved with just the CD4013 chip if it is connected as shown in the attached circuit. With reference to the enclosed timing diagram, it is seen that the quiescent trigger level holds both of the flip-flops reset. The first clock after the trigger line goes low sets Q₁ (starting the output pulse) while the edge on Q₁ sets Q₂ high and Q₂ low. Thus, the D₁ input is held low and the next clock pulse resets Q₁ to low (ending the output pulse) while the negative edge on Q₁ has no effect on the second flip-flop. The circuit is now locked-up with succeeding clocks having no effect. Only the trigger line returning high can reset the second flip-flop to unlock the circuit.



Note that in both circuits the trigger pulse must be a minimum (for worst case phasing w.r.t. the clock) of two clock periods wide.
Colin Ramsay
Stevenage
Hertfordshire

DESIGN COMPETITION

A circuit to remove background noise when a person is speaking (Letters: G. Barnes, October 1983) might consist of an amplifier whose frequency response envelope matches that of the human voice. In a more advanced design (i.e. where an amplifier is required to discriminate between an unusual kind of sound and its noisy background) a variable frequency response, pre-set or manual might be provided.

If the background noise is weaker than the signal, one could also arrange for loud sounds to be amplified more than soft ones. After this initial contrast expansion (by a non-linear circuit) the signal could be clipped at its lower energy level and finally restored to its original amplitude range (by an inverted non-linear circuit).

The above two distinct "selection modes" of an amplifier (frequency discrimination and amplitude discrimination) could be combined with a third selection-mode, namely, signal discrimination in which the oppositely-pointing microphones are used in anti-phase.

A. H. Winterflood
Muswell Hill
London N10

CURRENT DUMPING

Wireless World of September and October contain no less than 12 pages by Mr McLoughlin, analysing very thoroughly various contributions to current dumping that have appeared in this publication.

I will agree at once with most of McLoughlin's analysis. Yes indeed the presence of R₁₂ does affect the balance condition exactly as he states. His mathematics, as one would expect, are quite precise and perfectly acceptable. Yes again, we are quite prepared to accept 5-10% error in the balance condition and still show a major advantage over a non current dumping amplifier of the same configuration and the same overall feedback.

If I may summarize Mr McLoughlin's conclusions they are, I believe, that if the balance condition is perfect all works as it should, but if there is any error in the balance condition, as there must be, then one is better off without the current dumping concept. But this ignores completely the overall loop gain and the necessity to meet the Nyquist criteria. Indeed we have twelve whole pages without a single pole in sight.

If we take the simplified model repeated as Fig. 1 for convenience and assuming A to have very high (call it infinite) gain, then indeed removing C and shorting L produces a perfect conventional amplifier - an amplifier with conventional feedback and very high (call it infinite) loop gain. But such an amplifier is impossible.

In the simplified circuits, we have used the concept of "virtual earth" to define the gain of the class A amplifier. This seems to cause some confusion, so let us redraw it as an integrator of

defined gain, filling in the other values to suit, as in Fig. 2.

The balance condition is met and the overall feedback is 48dB at 10kHz and falling with frequency - just about what is required for a good stable amplifier, and we're all agreed no 'crossover' distortion.

Next, assume an unbalance of 10% by changing any one of the constants, let's say by changing L by 10%. At once a small kink appears in the transfer characteristic. It distorts. So following McLoughlin now get rid of the current dumping by shorting L completely. The distortion is now much worse and we find we have to interfere with the integrator gain to restore the situation. But what have we done? We have in fact just added more overall feedback. How easy life would be could we but increase feedback ad infinitum.

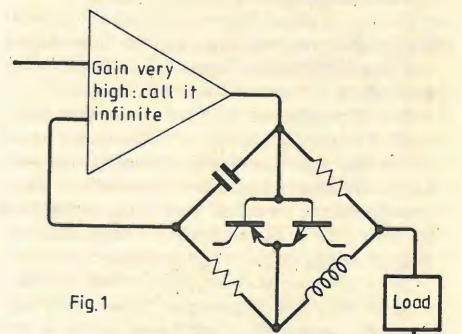


Fig. 1

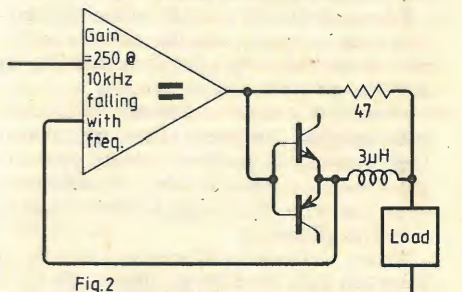


Fig. 2

Of course, we can apply bias to the dumpers or add various other refinements as one would to improve the conventional amplifier. Adding current dumping to such an amplifier will still give the same relative improvement. I am referring, of course, only to the voltage transfer distortion of the output stage and not to any other distortions which may be present.

Peter Walker
Acoustical Manufacturing Company
Huntingdon

I have read with much interest the articles by Michael McLoughlin in the September and October issues. Seeing that my name is mentioned several times in them, I would like to make the following comments.

The explanation of the basic principle of the Quad 405 amplifier given in my Letter of July 1976 is described by Mr McLoughlin as 'intuitive', and my dictionary gives the meaning of intuition as 'immediate apprehension without reasoning'. Now it seems to me that my explanation involves quite rigorous reasoning as far as it goes, and in several hundred pages of notes on the topic I have used a good deal of simple algebra. But I thought it best for the July Letter to omit the algebra and let the essential simplicity of the idea stand out unadorned.

In the grey-background editorial inset on page 39 of the October issue it is said "... one group insists that the amplifier works by feed-forward, another school disagrees and says it uses feedback". I do not feel to belong to either of these insistent schools, and in chapter 14 of the Newnes-Butterworths book *Radio, TV and Audio Technical Reference Book I* say "It is also possible to regard this amplifier as employing the principle of 'feed-forward error correction', for the class-A amplifier contributes current directly to the load only when the dumpers are unable to do so fully - in other words, the class-A amplifier provides feed-forward correction of the dumper-stage error." So I was glad to find Mr McLoughlin defending the validity of alternative views. Of course such alternative views really only affect physical reasonings, and inventive steps in evolving modified circuits. Once a circuit exists, mathematical analysis of its performance does not essentially require any specific categorization of the circuit.

I was, however, very surprised to find Mr McLoughlin maintaining that John Vanderkooy and Stanley Lipshitz "again insist that feedforward alone is the only correct explanation", for a careful reading of their truly excellent paper (*AES Journal*, Jan./Feb. 1980) does not reveal to me any such insistence. Indeed it was with satisfaction that I found they included my name amongst those who had "correctly understood its operation". They choose to base their approach on the error feedforward concept - and I have no quarrel with this - but nowhere suggest that my alternative "instantaneously-variable negative feedback" approach is in any way wrong. I still prefer it.

Pervading Mr McLoughlin's thorough mathematical treatment there seems to be an implied belief that fully satisfactory stability, in the Nyquist sense, can be retained when the reversion to simple traditional overall feedback, mentioned in several places, are adopted. Unfortunately, in practice, stability considerations assume a dominant role, and are far from being just little engineering details that can be sorted out afterwards.

Messrs McLoughlin, Bennett and Halliday all point out, quite correctly, that though the Quad bridge scheme can theoretically produce zero distortion (ignoring any small distortion in the A amplifier itself), it is liable in practice, when component tolerances are allowed for, to produce considerably more distortion than would be obtained, stability considerations permitting, by removing the local feedback on the A amplifier and employing just simple overall feedback. But if this is tried in practice, what is the result? Oscillation at several MHz, even on a nice simple 8-ohm resistance load. Mr McLoughlin says "no traditional amplifier would contain such a component as C_2 " - but what about the capacitor frequently connected between the collector and base of the second stage in many traditional amplifiers? The purpose is the same - to attenuate the loop gain at high frequencies in such a manner as to preserve stability.

The philosophy in the Quad 405 design is to make the A amplifier circuit behave as a clean and simple Blumlein integrator, with 120pF integrating capacitor, up to frequencies of many MHz. This has been done, very elegantly in my opinion, by providing all the mutual conductance for the integrator amplifier by means of a single transistor - the top right-hand one in Mr McLoughlin's Fig. 11. The other two transistors in the integrator amplifier are emitter followers, of extremely wide bandwidth, serving

merely to raise the input impedance appropriately. This integrator circuit, fed from the high output impedance of the 405's input stage, Tr₂, provides such an enormous effective forward gain at medium and low audio frequencies that there is simply no need, at such frequencies, to bother about any clever bridge techniques. The impedance of L is negligible, and for all practical purposes the amplifier just has overall feedback directly from the output terminal - indeed it virtually becomes just what Mr McLoughlin and his friends would advocate. There is about 68dB of overall feedback at 1000Hz, for high signal levels, and more still at even lower frequencies, giving extremely low distortion. At 10kHz, because of the reduced forward gain, the distortion, with L short circuited, would be nominally ten times greater than at 1000Hz, though still pretty small. With L in action, however, this increase in distortion is largely prevented from occurring.

Now in any practical class-B audio power amplifier aiming at extremely low distortion, as anyone who has carried out practical design work will know, there are always distortion mechanisms additional to those considered in the idealized theory. By the very nature of it, a class-B power amplifier inevitably has some amps of highly non-sinusoidal current flowing in the two halves of the output stage, and a certain amount of unwanted coupling between the conductors carrying these currents and the input circuit conductors is unavoidable, especially at high audio frequencies. A mere thousandth of a microhenry in the wrong place can easily provide the dominant distortion-producing mechanism at 10kHz. Because of such considerations, it becomes pointless to try to carry the distortion-nulling technique involving L beyond a certain degree of precision, and tolerances no closer than $\pm 5\%$ have therefore been specified for the bridge components. Also, in view of the extremely high effective forward gain of the integrator amplifier, it would be quite meaningless to adopt any of the more elaborate formulae for bridge balance mentioned by Mr McLoughlin, and the design has therefore simply been based on $L = CR_1R_3$, with a slight correction, in no way critical, to allow for the effect, explained by him, of R₁₂ in the base of the input transistor. To say, as he does, "R₁₂ is causing unpredictable consequences and it must go" is really just nonsense, and seems to show a lack of awareness of the splendidly uncritical nature of the design.

Indeed, uncriticalness is the dominant virtue of the 405 amplifier and is one of the reasons for its relatively low price and great commercial success. The recipe, in a nutshell, consists of zero-biased output transistors, a 47 ohm resistor to give some transfer of signal even at very low signal levels, an enormous amount of overall negative feedback at low and medium frequencies to give extremely low distortion, plus the application of feed-forward error correction, bridge technique, or instantaneously-variable negative feedback (take your pick!) to keep the distortion low at high frequencies too.

The fact that the feed-forward error correction technique is theoretically capable of yielding zero distortion seems to be what academically-inclined people have concentrated upon - it is an attractive idea - but of course, if relied on too heavily and not used in combination with a large amount of overall negative feedback, everything becomes rather critical, thus providing an opportunity for plenty of mathematics! I regard the use of an integrator in the forward path of the 405 as being truly a

master stroke, rendering the design as uncritical as possible while also providing proper stabilization of the overall feedback loop. The slow-rate performance is such that the amplifier can properly cope with the most exacting digitally-recorded programme material.

The real engineering virtue of the Quad 405 scheme for audio power amplifiers is not that it enables lower distortion to be obtained than is possible by other means - for the best amplifiers not using it give quite low enough distortion - but rather that it enables a crude current-dumping, unbiased output stage to be employed, having neither adjustments nor long-term drift and thermal problems, but without producing an amount of high-frequency distortion that many people would regard as too high. (Actually I would question whether a very critical listener would be able to detect the effect of shorting out the inductor L on any normal programme material, though the effect is just audible on sine-wave tone.)

When all aspects are taken into account, it seems to me that the elegant combination of unconventional circuit design techniques embodied in the Quad 405 represents a true advance in the field. The practical exploitation of these ideas has also been carried out in an exemplary manner, and I feel it was most appropriate that this excellent British product should have been selected for a Queen's Award to Industry. I think it is to be deplored that *Wireless World* should have lent its support to the misleading conclusions reached by Mr McLoughlin in his otherwise quite impressive articles.

Peter J. Baxandall
Malvern
Worcs

PS There is one specific mathematical point I would like to bring up. I am puzzled by the statement in the second article, at the top of the middle column on page 35, that "when currents and voltages depart from the sinusoidal, the symbols Z₂ and Z₄ have no meaning", for surely the whole basis of Heaviside's "operational impedance" concept is that these impedances are $Z_2 = 1/pC$ and $Z_4 = pL$, where p means d/dt and is equal to $j\omega$ in the particular case where sine waves are involved. Thus one may certainly note the current through C and multiply by 1/pC to obtain the voltage, for 1/p is the inverse of p and means integration with respect to time. Thus $V = (1/pC) \times I$ means $V = \int (I/C) dt$. For the inductor we have $V = pL \times I$, meaning that $V = d/dt(LI)$, or $V = LdI/dt$ for fixed L, which is a very well known result.

Mr McLoughlin says "the ratio V/I wanders through most values from zero to infinity throughout the cycle" - but so it does with sine waves, for with reactive elements V and I are in quadrature.

Certainly the distortion-nulling technique involving C and L is just as theoretically sound when considered in relation to transient waveforms as it is with sine waves.

HERETICS

Dr Scott Murray's amplification in the October letters of his discussion of the experiments by Aspect *et al.* is reasonable in so far as he confines himself to what was actually measured, but completely wrong about the interpretation of the measurements. In the first place it was not assumed that when the two cascade photons are emitted from the calcium atom they are polarised identically. In fact the angular momenta of the three states of the atom are known, those of

the highest and lowest energy states being zero. This knowledge allows one to deduce from quantum mechanics the polarization properties of the two photons. The calculations show that:

- If photons travelling parallel to the Z-axis are observed with an ideal detector of right-hand circularly polarised photons it will respond to just half the photons passing through it. Whenever it responds to a photon and the other photon is emitted in exactly the opposite direction it too will be found to be right-hand circularly polarized. A similar set of statements holds for left-hand circularly polarized photons from the calcium atom.

- If photons travelling parallel to the Z-axis are observed with an ideal detector of photons line-polarized parallel to the X-axis, it too will respond to just half of the photons passing through it. Whenever it responds to a photon, and the paired photon is emitted in exactly the opposite direction, it will be found to be line-polarized parallel to the X-axis, while if the second detector is set up to respond to photons line-polarized parallel to a direction normal to the Z-axis and making an angle θ with the X-axis, the coincidence rate between the two detectors will be reduced by the factor $\cos^2(\theta)$. A similar set of statements holds whatever direction normal to the Z-axis the first detector is set up to select.

So far as I know this combination of polarizations and polarization correlations cannot be realised in classical optics. One may note in passing Dr Murray's comment about 'how little it (i.e. the quantum theory) has to say even within the field it claims to cover'. The quantum theory predictions have been confirmed by experiments, in part of course by Dr Aspect's experiments.

Secondly the generalized Bell inequalities specifically do not involve quantum theory, but only the basic ideas of Special Relativity and the rejection of the notion of action-at-a-distance. They are clearly violated by the Aspect results, which give too high a relative coincidence rate between the two detectors for values of the angle θ between the settings of the two polarimeters in the neighbourhood of 22½ degrees.

Thirdly, the 'hidden variables' theories are not quantum theories, but seek to reproduce the experimental predictions of quantum theory by a deterministic theory, with random unobserved variables accounting for the fluctuating results associated with the uncertainty relationships. Though Dr Murray doesn't realise it, the people putting forward these theories are more or less on his side! The Bell inequalities still hold when one uses such theories, but do not require that one should use them. The article by Clauser and Shimony⁽¹⁾ provides an extensive account of these matters for anyone prepared to wade through some heavy mathematics.

C. F. Coleman
Grove, Nr Wantage
Oxfordshire

Reference

1. Clauser, J. F. and Shimony, A. Reports on Progress in Physics 41 (1978) 1881-1927.

The articles by Dr Scott Murray, together with the controversial inconsistencies outlined by I. McCausland regarding the theory of special relativity, have given rise to arguments typical of those misunderstandings, about any subject, that occur where one or more of the words used are not defined.

I consider a word as being defined only when it has one and only one stated meaning.

The following words which are fundamental to physics are not defined according to this criterion: mass, force, energy, velocity, acceleration, and time. Thus any theory using one or more of these words cannot be regarded as rigorous.

It was H. Dingle who pointed out that the word time has at least three meanings i.e. is not defined, and as a result it follows that the other words just listed, which are expressed, directly or indirectly in terms of time have themselves at least three meanings.

A recognition of the absence of definitions for these and other words, is the first and main step required of physicists if they are to extricate themselves from the morass of inconsistencies they have struggled through during the last 50 years. I can assume then that, if they were to take this step, new and comprehensible theories can be postulated which comply with all the known phenomena and more importantly add greatly to one's understanding of nature without the need for virtually incomprehensible mountains of mathematics.

David A. Chalmers B.Sc.
Finchley
London N3

I note with some relief that Dr Osinga (Letters, July) admits to the possibility of there having been oversights and omissions regarding the M-M experiment.

The reply to his problem concerns the conflict between the classical and relativistic viewpoints together with the indoctrination, given by modern teaching, which tends to force those things further apart.

In his book, mentioned by McCausland, Rudakov uses the phrase (re the M-M experiment): "The result of the experiment indicated that there was something wrong with the assumptions."

That phrase epitomizes Dr Osinga's problem because, whatever any scientist might try to have you believe, the assumptions were never tested.

Light has a velocity which is constant with respect to space, or if you are of courage the aether, and thus with respect to the experiment it is inevitable that the velocity of the wavefront shall vary.

Taking those things into account together with Doppler we may be sure, if we are to as a last resort cling to reason, that the experiment constituted an unequivocal disproof of the relativistic tenet that length varies with relative velocity.

We must always remember that an experiment may never prove a theory but that it most surely can disprove it, as is the case with the much misinterpreted M-M experiment.

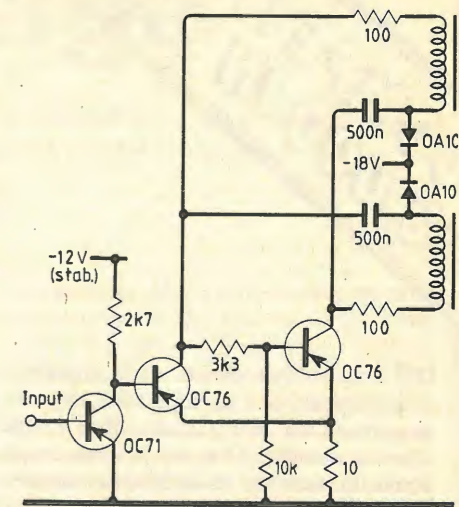
A. Jones
Alderney
C.I.

NANOCOMP/TTY INTERFACE

The problem of interfacing a teleprinter from low-voltage logic circuitry was tackled by a prototype design team some 24 years ago when transistor types like those used by P. C. Barton were not available (*Wireless World*, October 1983, p.75).

Some truly awful circuits were dreamed up and considered, including twin transistorized Cockcroft-Walton ladders and an arrangement we called an oscillating totem-pole.

The latter circuit worked quite well but was



felt to be not the sort of thing that deserved the cost of a patent application; the firm therefore published it to prevent anybody else from doing so (*Electronic Engineering*, May 1961, p.278.)

It was then realised that the two coils of a type 7B teleprinter could be separated and driven in antiphase; also, with the bias spring disconnected, the selector lever could be held at "0" or "1" by a very small current and the 75 volts minimum specified by the t.t.y. manufacturers was required only at the moments of transition to get the coil currents changing fast enough to follow the code groups.

This led to the design of the circuit shown here in which the inductive surge generated as one coil is switched off is superimposed on the supply voltage applied to the other coil to get the current in that moving promptly.

This allowed such a dramatic reduction of the supply voltage required that the teleprinter could be driven as shown from the unstabilized rail in the power supply for the logic circuitry.

I have never seen this technique used since.
J. C. Rudge
Harlington
Middlesex

ETHERNET

In the News column of your October 1983 edition you include a paragraph entitled "Ethernet wins one race". In the article you imply that CSMA/CD has been adopted as the sole Media Access technique under IEEE 802. This is not the case. The IEEE forwarded three documents to the Peking meeting of ISO/TC 97/SC6: Logical Link Control (802.2), CSMA/CD (802.3) and Token Bus (802.4). The absence of the Token Ring document (802.5) from this list is only indicative of the late start this Media Access technique had. Indeed a letter was sent to the Peking meeting stating that it was intended to submit a Token Ring document at a later date.

Work is continuing in IEEE Project 802 on wideband systems which may well appear before ISO in the future. The Token Ring standard is by far the most 'active' document at present as the working group responsible for it (of which I am a member) strive to catch up with the other parts of Project 802. A Media Access Technique very similar to the IEEE 802 Token Ring has been submitted to ANSI X3 T9.5, the speed of operation of this ring is intended to be 100 Mbit/s, a speed at which not many designers would think of using Ethernet.

Ian Watson
British Telecom

**COMPETITION
(£8,000 IN PRIZES)**

Wireless World Competition

Electronic devices for the disabled

Our competition closed with numerous completed entries: an impressive response in view of the many distractions of the summer months. They range from simple domestic items up to complex computer-linked projects; and one of the judges' hardest decisions will be in finding where lies the greatest benefit to the disabled. This page shows a selection, though mention here should not be taken to imply endorsement.

Arrangements for the judging and presentation of awards have yet to be finalised, but we have fixed a date (30th January) and will announce fuller details soon. A short-list of the most promising entries will be compiled by the *Wireless World* editorial staff, to reduce the task of the judges to manageable proportions; and in the case of short-listed entries which have been submitted in paper form only, we shall then request the devices themselves for demonstration.

To select the prize-winners we have invited the following:

● Mr Bill Bond, Principal Lecturer in the Mechanical Engineering Department of the Polytechnic of the South Bank in London. Mr Bond runs Britain's only degree course in engineering product design. He is also involved in work for the handicapped.

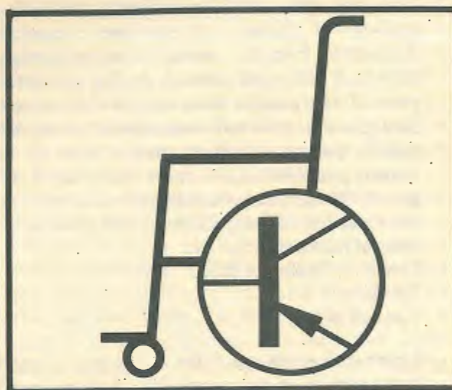
● Miss Elizabeth Fanshawe, Director of the Disabled Living Foundation. The Foundation is a charitable trust; it operates an information service and conducts research connected with aspects of ordinary life that present problems to disabled people. Miss Fanshawe is an occupational therapist and is herself disabled.

● Mr David Gemmell, Managing Director of Possum Controls Ltd, which manufactures a range of electronic aids for the disabled.

● Professor Meredith Thring, former head of the Department of Mechanical Engineering at Queen Mary College and author of many books on engineering in theory and practice.

● Professor Heinz Wolff, head of the new Brunel Institute for Bioengineering at Brunel University, Uxbridge. Part of the Institute's work is connected with technological aids for the elderly and disabled.

One of the first parcels to arrive, and physically one of the smallest, brought us the Talking Box from Mr Ian Mitchell of Hull. Scarcely larger than a pack of cards, this contains a speech synthesiser and a tiny loudspeaker. At a touch on the keypad,



out comes your choice from a couple of dozen phrases of everyday usefulness ("please can I go to the toilet?"); for greater versatility an external keyboard can be plugged in.

The problem of communications for the handicapped seems to invite solutions in electronic form and has been a recurring theme in the competition. Another entry connected with speech difficulties was brought to Quadrant House by one of its co-designers in person. The Hector Speech Aid is a gadget to help overcome stammering: hidden on the body, it discreetly provides a stabilising 'feedback' to the ear. We hope Mr Ron Turrell won't mind if we reveal that his stammer is ordinarily quite severe, because with his device in action it seemed to vanish altogether.

An unusual entry in the medical field is



a pain-inhibiting pulser from Mr Ray Lightwood, who works at the Queen Elizabeth Hospital in Birmingham. This is a small battery powered stimulator, complete with skin electrodes, and is intended to give relief to sufferers from severe intractable pain. According to many authorities, electrical stimulation can release natural opiates, the body's built-in pain relievers.

Distress alarms are a common need for the elderly or disabled, and we have received several. One of these uses a portable infra-red transmitter: this sets off the alarm via a remote pick-up point feeding signals through the mains wiring. Another, designed for multi-occupied housing, employs low-power h.f. radio links giving seven separate alarm circuits. Remote control techniques have been adopted by several other entrants to provide easy operation of household electrical items.

On the lighter side, one intriguing little entry is an aid for computer games players. Computer games, believe it or not, have a useful function in developing co-ordination; though for disabled children the average zap-the-aliens game often runs much too fast. But with the 'Slowcoach' board in the computer, they're in with a chance.

For this tetraplegic computer programmer, a computer interface designed by Dr Michael Bolton and Mr Alastair Taylor means full-time employment.

Forth language

Forth consists of words and new words must be compiled and entered into its dictionary. Following a description of the dictionary and compiler, Brian Woodroffe discusses advanced concepts in this third article.

by B. Woodroffe

execution state. The compiled word is now 'unsmudged' to allow it to be accessed.

The compile process can be quite long as many dictionary searches have to be made. As the dictionary is a linear list and the

code routines which ultimately have to be compiled are at the bottom, it is a long search. No speed up algorithms such as hashing have been applied to standard FIG Forth though there has been experimentation^{8,9,10}. As so much work is done during the compile phase the execution performance of newly defined words is nearly as quick as predefined words. Further, as the first half of the dictionary entry

List 1. Each dictionary entry has four fields called name field, link field, code field and parameter field.

	Dictionary entry	
	7 6 5 4 3 2 1 0	
NFA	1 p s < 1 e n >	p=precedence, s=smudge, len=length of name
	0 a s c i i 1	
	0 a s c i i 2	ASCII characters of word
	0	
	1 a s c i i n	d7 set on last character of name
LFA	< >	16 bit address of previous n.f.a.
CFA	< >	16 bit address of code routine
PFA	< >	
	< >	parameters, normally other c.f.as
	< >	

List 2. Example of recursion in Forth to calculate a factorial.

```

First define
: MYSELF
  LATEST          ( put address of word currently being defined on stack )
  PFA CFA,        ( convert to code-field address and compile )
                  ( it in dictionary so that it may call itself )
; IMMEDIATE      ( as this word is to execute when in the compile state it has
                  'precedence'. )

Then use myself in the recursive definition
: FACTORIAL ( n ... )
  DUP 1 = IF ELSE ( end of recursion?, yes leave 1 as 1!=1 )
  DUP 1 -          ( n, n-1 ... )
  MYSELF          ( call myself to calculate n-1! )
  *               ( n! = n*[n-1!] )
ENDIF
;

```

List 3. Definitions of IF, ENDIF and ELSE.

```

: IF
  COMPILER 0BRANCH ( compile into the dictionary the c.f.a. of '0BRANCH' )
  HERE        ( place on stack where we are )
  0,          ( make space for jump offset )
; IMMEDIATE    ( make compiler execute this word, even if in compile state )

: ENDIF
  HERE        ( where are we? )
  OVER -      ( calculate offset to HERE executed in IF )
  SWAP !     ( patch in offset to address left by IF )
; IMMEDIATE

: ELSE
  COMPILER BRANCH ( compile run time address of routine to skip false statements )
  HERE 0,         ( make space for jump offset )
  SWAP           ( get address of where IF was )
  [COMPILER] ENDIF ( use ENDIF to fix address, ENDIF is immediate and to overwrite
                  that such that it is compiled )
; IMMEDIATE

```

Having shown how the address interpreter executes lists of addresses to execute program commands and that threaded code is compact, I will now explain how Forth builds these lists, i.e., how it compiles. Each list representing an action is rather like a verb in a natural language and in Forth is called a WORD. The collection of these words, which is Forth, is known as the dictionary. The outermost WORD in Forth breaks input text down into character strings which it then searches for in the dictionary. (Spaces are important, for instance, '-1' is treated as a negative number, whereas '- 1' is treated as the arithmetic subtraction operator followed by the positive number one.) If the string is found, it is executed, otherwise an error message is generated. The dictionary also needs a mechanism to allow the search to occur. Searching involves a traverse of all the words in the dictionary. Each entry has a pointer to the previous one (link field), which makes the dictionary a linked list. To enable matching of the source text each word also has its name in ASCII form (name field). Dictionary entries for each word, List 1, have four fields - name field, link field, code field and parameter field. The name field also contains data for use by the compiler (precedence and smudge bits) as will be explained, and it includes the length of the name to allow variable name lengths of up to 31 characters.

For language expansion it is important to be able to build dictionary entries for new words. This is done by invoking the compiler. When the compiler is invoked (Forth word ':'), the language state is switched from execution to compilation. Next, input text is scanned forward for the next text string which is used to build a newly created name field. The name is 'smudged' so that during the building of the incomplete definition, the same name cannot be found. This normally prevents recursion, but again in Forth, this rule can be overcome, List 2. Then the linked list of the dictionary is updated by copying it into the dictionary link and the address of DOCOL is copied as this new word's code field. Next, input text is scanned for character strings. As these character strings are matched with words that already exist in the dictionary, the code field of each word found is copied into the parameter field of the word being compiled. Finally, as the word to terminate compilation is encountered ';' SEMIS is copied as the last word of the definition and the Forth program is returned from the compile state to the

List 4. Examples of VARIABLE and CONSTANT.

```

: VARIABLE
<BUILDS (variable is a new parent word)
          (store in the p.f.a. the value that was top of stack)
DOES>    (start defining what offspring will do)
          (nothing - p.f.a. is storage location for an offspring of type VARIABLE)
: CONSTANT
<BUILDS,
DOES> @  (constants provide a constant value which has been)
          (stored in their p.f.a.)
0 VARIABLE ABC (ABC is an offspring with initial value 0)
1000 CONSTANT K (K is an offspring of value 1000)
    
```

(name and link fields) is only required during compilation for fixed applications where compilation is not required, these fields can be deleted. This dramatically reduces the memory requirements of the Forth system¹¹, and can be especially useful when the code will be placed in rom.

To enable the compiler action of Forth to do more than just that described above certain words need to execute even when the language is in the compile state. This gives the compiler the full capabilities of Forth. These words are generally involved in building control structures for the compiler (IF-ELSE-ENDIF, see List 3). These words have a precedence bit set which the compiler recognises when it matches the input text so instead of compiling its code field it executes it. In the case of IF the compiler compiles into the dictionary the c.f.a. (code-field address) of OBRANCH and advances the dictionary pointer to allow the as yet unknown offset to be placed. It also pushes this address onto the stack so that when the compiler encounters an ELSE or ENDIF statement it can calculate the offset back to the IF statement and store the offset there. This shows the power of Forth in that the computational ability of the language is available to the compiler and to the user. Further there are times when words that would normally execute (i.e. have precedence) need to be compiled (i.e. execution action delayed until the word currently being defined executes). This is done using the word [COMPILE]. Again, it is sometimes required to delay compilation of a word until the word that contains it executes. This is done using the word COMPILE.

Advanced concepts

With an idea of how the inner interpreter (address interpreter) and the compiler (text interpreter) work we can now move on to advanced concepts including extension, vocabularies and virtual memory. Forth is either in the compile state, when it finds words and copies their code-field addresses into the dictionary to form new entries, or in the execute state, when it executes each code-field address encountered. I have shown how certain immediate words can override the state, and can even execute in the compile state. It is also possible to overrule words which are declared as immediate and compile them, as in the case of ELSE which was described earlier.

In Forth, even the compiler can be modified. Not only can new compiler control structures be introduced but also new

compiler words may be defined. Normally the programmer would have to rewrite the compiler but with this feature, known as extensibility, modification is relatively simple. It involves use of the words <BUILDS and DOES> to define a new class of words. The defining word defines words of this new class. Behaviour of the new defining word is determined by the words between <BUILDS and DOES>, i.e. when a word of the new class is defined, behaviour of the new word during compilation is determined by what comes between <BUILDS and DOES>. When a word of this new class executes, it executes the words following DOES>. To allow the parent class-defining word to access its offspring (class-defining word to access its offspring (class-defined word), the parameter-field address (p.f.a.) of the latter is placed on the data stack. Two simple examples from the Forth compiler are VARIABLE and CONSTANT, List 4. These can easily be expanded to form arrays and tables. The word ':' is also a defining type. When offspring of ':' are executed they call the word DOCOL which decides how to execute their parameter field. An alternative to DOES> is used to define ':'; the assembler is invoked so that the parent-word execution field is machine code and not Forth but in other respects it is the same.

The major part of Forth is the dictionary, and to enable different problems to be solved in different areas of the dictionary each problem is given its own vocabulary. The dictionary may have many vocabularies alongside the normal basic set of FORTH, ASSEMBLER and EDITOR. Using vocabularies means that the same word may have different meanings, depending on which vocabulary is active. FIG-Forth has two active vocabularies - CURRENT and CONTEXT. The former is the one in which words are defined and the latter is the one which is searched first. All vocabularies are linked to FORTH (Forth's definition in Forth). Much debate is taking place on the subject of vocabularies concerning the subject of searching vocabularies¹¹⁻¹³.

Virtual memory

Memory is the most precious resource of a computer and although Forth makes very efficient use of it, there are still times when programmers wish it was infinite. Disc memory is much cheaper than semiconductor memory but it is also slower. By the concept of virtual memory, the memory space available to the programmer is expanded beyond the main memory to in-

Forth words used in last month's program example

Stack operators

DUP pushes the top of the stack on to itself so the stack increases by one and the top and second stack elements are equal.

SWAP interchanges the two elements at the top of the stack.

OVER places a copy of the second element in the stack on the top. The original top element is now second and all other elements move down one.

ROT takes the third element and makes it the top element so the old top element becomes second and the old second element becomes third.

Arithmetic operators

MINUS replaces the top stack element with its two's complement.

+ takes off the top two elements, adds them and pushes back the result which becomes the new top of stack.

- takes off the top two elements and pushes back the result of second element minus the top element.

***** takes off the top two elements, multiplies them and pushes back the result.

/ takes the top two elements, divides the second by the first, and pushes back the result.

n pushes the value of n on the stack.

SQRT takes the top two elements, treats them as double precision (32-bit), and pushes back the 16-bit square root.

0< if the top stack element is less than zero it is replaced by a one (true), if it is not less than zero it is replaced by a zero (false).

Control operators

IF tests and deletes the top stack element and executes the next word if the condition is true. If the condition is false, control skips to ELSE or ENDIF, whichever comes first.

ELSE marks the end of the IF-TRUE clause and the beginning of the IF-FALSE clause.

ENDIF is the end of an IF clause.

Terminal operators

CR sends a carriage return and line-feed signal to terminal.

" starts text entry into the dictionary (until"). When executed it will type out the text string.

. converts the top of the stack to an ASCII string and types it out.

clude disc storage so memory capacity as far as the programmer is concerned is only limited by the capacity of the disc. In Forth, the virtual-memory concept is only applied for data whereas in most processor applications (e.g. INS16000 series) it is also applied for program storage. Through use of the word BLOCK, the programmer can

visualise the disc memory as processor memory. The Forth operating system recovers data from disc and places it in a buffer to make it accessible to the user program. Many such buffers exist in the host processor and BLOCK uses an algorithm that determines which blocks should be maintained in the store and which should be written back to the disc. With the right algorithm the number of disc accesses will be minimal and the apparent memory-access time low.

Space and time

I have shown how the Forth dictionary is created (i.e. its form), how it may be extended by compiling and how any processor may readily simulate the virtual Forth machine by means of indirect threaded code. As mentioned earlier, by introducing the concept of threaded code, execution speed is traded for code space. So one can expect that Forth is not as fast as the host processor's own code although it may approach it where many subroutine calls are made. Execution of a process defined in the source language divides into two parts; one is the examination of source text to find out what action is to be taken and the second is execution of the actions by the processor. In most systems the first part is carried out by compiling source text in the machine code of the host machine. In Forth this means compiled into the thread, the machine code of the hypothetical machine. Target machine code is then run in Forth using the address interpreter. Running time can be traded for space by choosing an intermediate language of suitable complexity. Running time performance of compilation has no effect on the

List 5. Representation of algorithm used for benchmark test, see Table 1.

```

8190 CONSTANT SIZE
0 VARIABLE FLAGS SIZE ALLOT
: DO-PRIME
  FLAGS SIZE 1 FILL
  0
  SIZE 0 DO
  FLAGS 1 + C@
  IF
    DUP + 3 + DUP 1 +
  BEGIN
  DUP SIZE <
  WHILE
  0 OVER FLAGS + C!
  OVER +
  REPEAT
  DROP DROP 1+
  THEN
  LOOP
  ." primes";
    (allocate 8191 bytes for an array)
    (fill array with '1', <true>)
    (counter)
    (set up a DO loop of 8190 times)
    (I is loop counter, get relevant flag)
    (C@, C! are byte versions of @, !)
    (stack is... count, prime, K)
    (begin a block)
    (array index < size?)
    (test flag, to see if exit block)
    (set relevant flag false, FLAGS[K])
    (K:=k+prime)
    (end of block, loop back)
    (delete prime, K; one extra prime found)
    (end of IF)
    (end of DO... LOOP block)
    (print number of primes)
    
```

running time of the application program, which leads to the view that the compiler should do as much work as possible. Unfortunately, compiling to machine code using a simple processor with limited addressing capability, such as a current 8-bit microprocessor, often results in the code not fitting into the memory so an intermediate target code is chosen, with the accompanying penalty of interpreting it. Forth's address interpreter costs some tens of percent.

Other losses occur because microprocessors are not zero-address devices so the zero-address function has to be simulated. Memory-space benefits are illustrated by the amount of memory required for a Forth system, which is typically 8Kbyte (may be rom) for virtual-machine simulation, the Forth compiler, i/o drivers, etc., and 8K for stacks, virtual-memory buffers and the user dictionary.

Forth is also fast because of the explicit use of the stack. In languages using the assignment operator, data normally resides outside the stack. It is brought to the stack, operated on, and finally placed back into the store. If the next statement uses the same variable it is once again taken from the store and placed on the stack. When computing partial results this causes excess memory traffic. Unless optimization is used this redundant memory activity will cause delays. Forth avoids this because normally data only resides on the stack. No unnecessary memory space or time is taken up by temporary variables.

It is interesting to compare Forth's performance with the commonly used language for microprocessors, Basic. Systems using Basic have little compiler action, the source text being saved in memory, although the key words are converted into internal tokens. During program execution, each token is parsed and acted upon in turn so the source of Basic's execution-time interpreter is close to that of the source text whereas Forth's source for the running-time interpreter is close to the language of the host computer. As all the work in a Basic system is done while the program is running the speed penalty is high, usually at hundreds of percent. Further, since Forth compresses object code into 16-bit addresses (code-field addresses are the equivalent of tokens) it is as efficient as Basic in terms of memory space.

Processing speed is an emotive issue without benchmark tests and unbiased benchmarks are notoriously difficult to produce. Table 1 was derived using the Sieve of Eratosthenes (see List 5) and seems fair¹⁴. Qualitatively, it confirms what one could expect - assembly-language is faster, followed by compiled languages with interpreted Basic well behind. The table also shows how well the 6809 compares with newer and more popular designs and that it compares with at least one 16-bit device, the 8086. I would attribute this to the instruction set as was shown in the analysis of Forth word NEXT. A more elaborate, special-purpose instruction set does not necessarily lead to a more effective processor. This has been shown in recent research into reduced instruction set computers.

Table 1. Relative speeds of various processor and languages.

Processor/language	Time in seconds
CRAY-1 Fortran	.11
68000 assembly language (8MHz)	1.12
PDP11/70 C	1.52
VAX 11/780 (C/Fortran/Pascal)	1.5-5.0
8088 assembly language (15MHz)	4.0
6809 assembly language	5.1
PDP11/40 C language	6.1
Z80 assembly language (4MHz)	6.8
6809 IMS Pascal compiled (2MHz)	8.9
PDP11/70 Decus Forth	11.8
Z80 Microsoft Basic compiler	18.6
8088 Pascal (Softech compiler) (15MHz)	19.4
68000 Forth (8MHz)	27
6809 FIG Forth (2MHz)	45
8088 FIG Forth (15MHz)	55
8086 FIG Forth (12.5MHz)	64
6809 FIG Forth (1.5MHz)*	67
Z80 Forth (Timin) (4MHz)	75
Z80 Forth (Laboratory Microsystems) (4MHz)	78
Z80 FIG Forth (4MHz)	85
6809 IMS Pascal P-code (2MHz)	105
6809 Basic 09 (2MHz)	238
6502 FIG Forth (1MHz)	287
6809 TSC Basic (2MHz)	830
Z80 Microsoft Basic	1920
APPLE integer Basic	2320
TRS80 Microsoft Basic	2250
6809 Computerware Basic	4303

* Used in my design as described in *Wireless World*

continued on page 61

Assembly language programming

In learning assembly language programming one must also know how to write programs to suit different microcomputer systems. In his eighth tutorial, Bob Coates looks more closely at elements of Picotutor and describes its use as a stop watch to demonstrate the hardware timer.

In this article I describe Picotutor in more detail, looking in particular at how the keypad and display operate. To demonstrate the hardware timer within the microprocessor a description of how to program Picotutor as a stop-watch is included. A disadvantage with assembly language programming is that each microprocessor has its own unique language so to demonstrate the subject one has to choose a particular processor. To complement this series I designed a small microprocessor trainer based on an eeprom version of the 6805 - the 68705 - which was described in the December 1982 and January 1983 issues of *WW*. The 68705 is primarily intended for small industrial and consumer single-chip control applications, as opposed to microprocessors such as the Z80 and 6809 which are intended for use in larger computers, and can only be programmed at assembly language level.

Two main considerations when designing Picotutor were low cost and simple construction. As a result, it is not possible to enter programs directly in assembly language; they must be converted to machine code by hand. For beginners hand assembly has the advantage that it gives one a greater appreciation of the subject and for small programs it is quite adequate. All examples given in this series have been hand assembled.

Reading the keypad

Operation of the keypad and display was described in the December 1982 issue. To recapitulate, peripheral ports B and C of the 68705P3 microcomputer are used to interface the keypad and display. Reading of the keypad and driving of the display are performed by software in the monitor program and four sub-routines can be used in user programmes to provide these functions.

KEYIN scans the keypad and returns with a code in the accumulator (A) for the key currently being pressed. If no key is being pressed (or more than one key) the accumulator is cleared.

DISKEY performs a dynamic refresh of the multiplexed display with data contained in six ram registers (one for each display digit). The state of each bit in each ram register byte indicates whether its associated segment in the display should be

lit or not. When the display function is complete, KEYIN is executed before the subroutine returns.

DISGET repeatedly calls DISKEY (giving continuous refresh of the display) until a new key is pressed, then returns with its code.

DISHEX calls DISGET and if the key pressed is a hexadecimal key, converts the key code to the appropriate hexadecimal code.

I will first explain what keycodes are and how they are formed. The Texas keypad used is a 6-by-4 matrix of keys, i.e. six column and four row lines, with a switch at each row/column junction (see circuit diagram). Closing a switch causes those particular column and row lines to be shorted together. So with only ten connections to the keypad, the microprocessor can determine which one of the 24 keys is being

pressed. The six columns go to port B and the four rows to IC₂, but which connections go to which pins was determined solely by the easiest p.c.b. layout. When it detects a column/row short, KEYIN software produces a unique 8-bit code which may appear to be random. What code is produced doesn't matter, as long as each key-code is unique.

See what code a key produces with the following program.

```
030 BD89 JSR DISGET
032 83 SW1
```

This program when run will wait, refreshing the display (which will show the last data entered, the 'go' command) until a key is pressed. It will then execute the software interrupt, with the accumulator containing the key-code. The accumulator can now be examined using the reg key and it will give the key-code for the key you have just pressed. Try this program with each key of the keypad and build up a table of key-codes. Now change the subroutine call from DISGET to DISHEX (address 8C) and it should convert the hexadecimal keys to the correct hexadecimal code (00 - 0F), but leave other codes unmodified. Check also that the C bit in

the condition-code register is clear if a hexadecimal key, but set otherwise. This is to inform the calling program as to whether or not a hexadecimal key was pressed.

Driving the display

The basic subroutine for driving the display is DISKEY, which also scans the keypad. Digits in a multiplexed display can only be lit one at a time so to give the impression of a multi-digit display, each digit is lit in turn for a short period and when the last has been lit, the first is lit again, and so on. In 'PICOTUTOR', the looping period is about 20ms, so a slight flicker may be noticeable in the display.

As segment data cannot be latched into the display, it has to be stored in ram, and retrieved when required. Six bytes of ram are used to store the data, one for each digit, starting at address 010 which is given the label DISBUF (display buffer). To effect a display, appropriate segment data is stored in the six bytes of DISBUF and then DISKEY is called repeatedly, in a loop. Each bit of a DISBUF byte drives a particular segment of the appropriate digit, a one bit causing the segment to be lit, a zero bit causing it to be extinguished. Bit/segment allocations are shown in Fig. 1. Allocations are not in a particularly logical or convenient sequence as once again, the easiest p.c.b. layout was the determining factor. This example illustrates how to drive the display.

```
030 BDBO JSR CLRDIS
032 A6BF LDA #%1011-1111
034 B710 STA DISBUF
036 A675 LDA #%0111-0101
038 B711 STA DISBU-
F+1
03A BD83 LOOP JSR DISKEY
03C 20FC BRA LOOP
```

Subroutine CLRDIS sets all 6 bytes of DISBUF to zero, or clears the display. The first LDA instruction sets all bits to one, except bit 6, which will give the display pattern for the number six with a right-hand decimal point. This is stored in DISBUF, which is the r.a.m. byte corresponding to the leftmost display digit. The next LDA instruction sets bits 0, 2, 4, 5

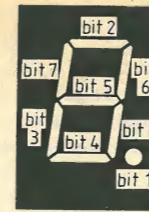


Fig. 1. Bit/segment allocations of Picotutor display.

and 6 to one and bits 1, 3 and 7 to zero to give the pattern for numeral three which is stored in DISBUF+1 which corresponds to the next digit to the right. The program then enters an indefinite loop which first calls DISKEY, causing each of the six digits to be lit once (although the last four have been blanked by CLRDIS). The branch-unconditional instruction causes the subroutine to be called again, and so on, giving a continuously lit display until the reset button is pressed.

Display software

Referring to the circuit diagram (*WW* Dec. 82 issue) and List 1 we can see how a software driver for the display is developed. List 1 is an extract from the Picotutor's monitor software showing the portion of DISKEY which drives the display. Looking first at the circuit diagram, to light a given digit the appropriate digit cathode is selected by sinking it to 0V while the others are allowed to rise to +5V. When a 4-bit binary code is written to port C it is decoded by IC₂ which selects the equivalent output, driving it to zero, while the others are at one. At this point, ignoring port B for the moment, all segments of that digit would be lit; all segment anodes are connected to +5V through one of eight 270Ω resistors which allow current to flow through each of the diodes. But if a zero is written to a particular port B pin when port B bits are all programmed as outputs, that pin will provide a short circuit to ground across the diode, diverting its current supply and extinguishing the diode. If port B output is set to one it will pull to +5V and help to light the diode, so by storing the appropriate pattern of ones and zeros in port B, a particular character shape can be produced on the display.

Look now at List 1 to see how Picotutor performs this. Note that segment data is set in port B before the cathode is selected, and afterwards the cathode is disabled before the segment data is altered to prevent a ghosting effect in the display. First, ports B and C are set as outputs, then the same pattern (FF) is stored in address label CATH (port C data register) since all ones to IC₂ disables all outputs. The index register is used as a pointer to the data and is initially set to zero.

At label DSK1, the accumulator is loaded with data from the DISBUF ram for the first digit

```
LDA DISBUF, X
```

This is stored in label SEG (port B data register). Next a value is loaded into the

List 1. Illustration of a software display driver from Picotutor's monitor.

*	DIGSEL	-		Codes for driving 7442 to select left-most to right-most digit cathode
*	DIGSEL	DATA	6,5,4,7,8,9	
*	DSK10	LDA STA STA STA	#\$FF SEGD CATHD CATH	Set up display ports as outputs to refresh disp. Turn off all cathodes
*		CLR X		Initialize display pointer
*	DSK1	LDA STA LDA STA	DISBUF,X SEG DIGSEL,X CATH	Get digit segment data Set up segment drive Get cathode drive code Switch on cathode
*	DSK2	LDA DECA CMPA BNE	#\$F # \$ DSK2	Wait for light up period
*		STA	CATH	Switch off cathode
*		INX CPX BNE	#6 DSK1	Inc. DISBUF pointer Finished all 6? Round again if not

accumulator from the DIGSEL table (digit select) which is a table of 6-bit patterns for driving port C to select each of the six-digit cathodes in turn. This value is stored in CATH and at this point, the left-most display digit will light up. A delay loop is now entered to keep the display lit for a short period. This delay loop is a little odd because it is designed to exit with 0F in the accumulator.

A value which determines the period of the delay is initially loaded into the accumulator and it is in fact set with the maximum delay value causing 256 iterations of the loop to DSK2. When the delay loop is left, the accumulator contains 0F which is stored in CATH (Port C), disabling the digit cathodes. The index pointer is then incremented and if all digits have not been serviced (X<6) the program loops back to DSK1. This second time round, the index register contains 01 so the two LDA indexed instructions load the second value in DISBUF and DIGSEL respectively. The main loop is executed six times, lighting each of the digits in turn for about 3ms. When refresh is complete, this subroutine scans the keypad. If scanning is not required it can be ignored, but remember that the accumulator is modified by the refresh.

6805 timer

The above display driver routine uses a software loop delay, but the 6805 has an inbuilt hardware-programmable timer which could have been used. The monitor does not use this timer at all so it may be used at will. Once the timer has been set, it causes an interrupt at a predetermined time, which allows accurate time periods to be determined, while allowing the

processor to function normally in between. Clock source for the timer can be either the internal system clock or an external clock connected to the TIMER input pin. Gating of the internal clock by the external TIMER input allows pulse-width measurements to be made. A variable prescaler may also be used to extend the range of the timer, which is only eight bits, to give the equivalent of 15 bits and a maximum count of 32768.

There are two registers associated with the timer, the timer data register (t.d.r.) and timer control register (t.c.r.). Input pulses decrement the data register and when it reaches zero, an interrupt is caused; this register may be programmed with an initial value to give the required timing period. The control register is used to set up the various operating modes and control timer interrupts. Page 00 shows two possible configurations for the control register, one to provide correct emulation of the rom versions of the 6805 and the other to allow software programming of the timer, which is the one applicable to Picotutor.

To operate the timer the mode of operation and the prescaler value is first set, the prescaler cleared, the required count stored in the data register and the timer interrupt mask cleared. Program execution may then proceed, but will be interrupted when the count in the timer data register reaches zero. The interrupt-service routine must then clear the timer interrupt-request bit before it finishes and then return control to the main program. This gives very briefly one way in which the timer may be used. I do not intend to cover all the details of the timer as these are adequately covered in the manufacturer's data

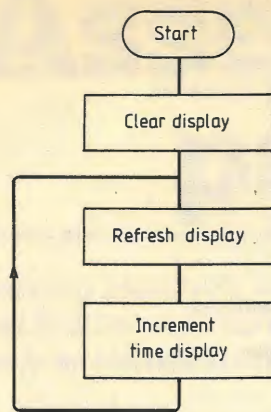


Fig. 2. Flow diagram for a software timer.

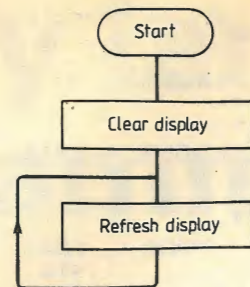
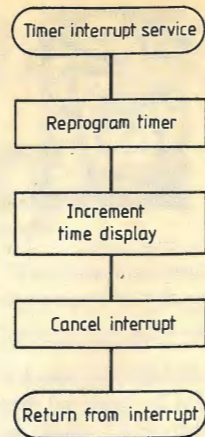


Fig. 3. More precise timing is possible using an independent hardware timer.



sheet but there follows an illustration of one use for the timer and an example.

Simple stopwatch

Implementation of a stopwatch on Picotutor requires a continuous display of elapsed time using continuous calls of the subroutine DISKEY, and some means of keeping an accurate track of time. It is possible to implement a software timer function, but there are considerable difficulties involved. Figure 2 is the flow diagram for a software timer. It is important that the loop takes an exactly known and constant amount of time to execute. If it took 100ms for instance, the time display would increment every tenth of a second. Although DISKEY takes a fixed amount of time to execute (if no key is pressed), time incrementation will vary according to whether a carry between digits is required. For instance, if the least significant digit is nine, then it must be cleared rather than incremented and the next digit incremented instead, or if that is nine, cleared and the next one incremented, and so on. If no carry function has to be performed, these operations can be skipped and operation will be much quicker. To ensure that exactly the same time is taken each time round the loop, blocks of no-operation instructions or some other form of delay must be introduced for the shorter execution paths to ensure that all possible paths are exactly the same length. This is difficult and time consuming to program correctly.

A much better solution is to use an independent hardware timer to keep track of time precisely so that time taken to perform software loops no longer matters. Figure 3 gives the flow diagram for such an operation. The main program merely has to keep refreshing the display, and every so often it is interrupted in the middle of its task by the timer, which causes an interrupt at regular intervals. When an interrupt occurs, the c.p.u. pushes the current contents of all registers including the program counter on the stack to save them. It then gets the address of the interrupt-service routine, puts that in the program counter register then carries on processing from the new program-counter

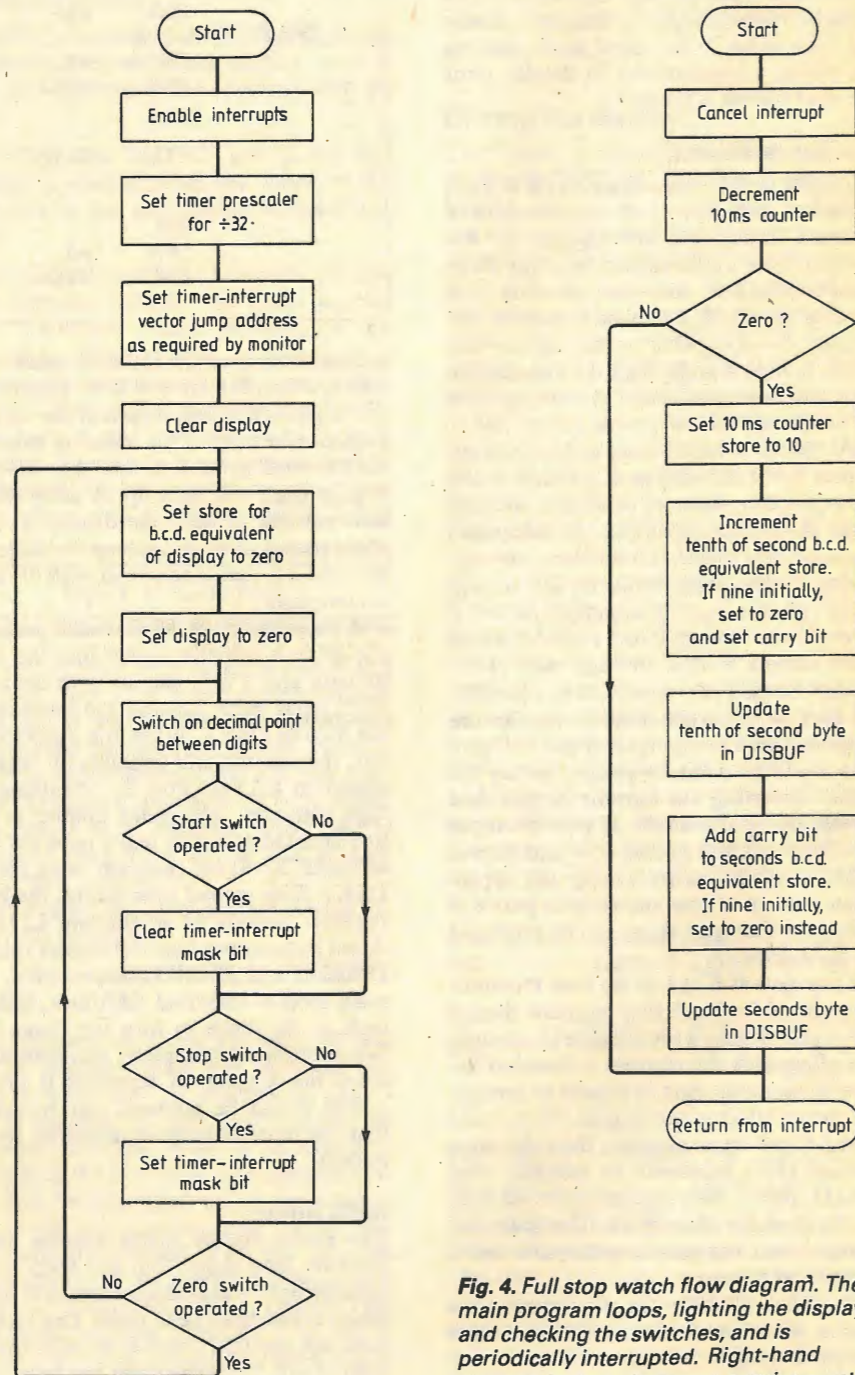


Fig. 4. Full stop watch flow diagram. The main program loops, lighting the display and checking the switches, and is periodically interrupted. Right-hand diagram is timer-interrupt service routine.

address. Incrementing of the time display is done here and if it takes a varying amount of time, it doesn't matter as the timer is re-armed first and is already counting away the time to the next interrupt. The service routine must of course take less time than the interrupt period or there will be problems!

The last instruction of the service routine will be a 'return from interrupt' (RTI). This pulls all the registers off the stack to restore them, then carries on processing the main part of the program from where it left off.

Stopwatch flowchart

Figure 4 is the full stop-watch flow diagram. This stopwatch uses three port A inputs to provide start, stop and zero functions for the two-digit stopwatch which counts in tenths of seconds. Three of the eight dual-in-line switches are used for this function. The stopwatch itself is divided into two entirely separate parts. After an initialization section, the main program goes into an infinite loop, the execution of which will occasionally be interrupted by the timer. The 'timer interrupt-service routine' is then executed and after the return-from-interrupt instruction, main program execution resumes from where it left off. An interrupt is caused by the timer when its data register is decremented to zero, providing both the interrupt (c.c.r.) and timer interrupt (t.c.r.) mask bits are clear. This can occur anywhere in the main program as the timings are not related, and when it does the c.p.u. completes the instruction in progress before servicing the interrupt. Because seven-segment codes used by the display are in no sensible way connected to the hexadecimal digit they display, a separate two-byte register giving in this case the b.c.d. equivalent value of the character in the display is used.

Main program

List 2 shows assembly language for the stopwatch program. This list was produced by a Motorola development system assembler. Before the start of the program proper, some of the labels used have to be defined as they are not defined in the program by appearing in the label field. The first three EQU instructions give the addresses of system calls used within the monitor program. Addresses within the 68705P3 memory map of port A data register and the timer control register (t.c.r.) and bit numbers within the t.c.r. of the interrupt mask and request bits are given. Remaining EQU instructions are r.a.m. registers.

The ORG statement tells the assembler the address of the program start. First the interrupt flag in the condition-code register is cleared to allow interrupts to take place. The timer prescaler is then set to divide the clock source from the internal-system clock by 32, the timer interrupt-request bit cleared, the prescaler cleared and the timer interrupt-mask bit set, all by storing 01000101 in the timer control register.

Next the register TIMEV is set with the

List 2. Assembly language for the Picotutor stop watch program.

```

00001          OPT    LLE=100
00002          *
00003          *-----*
00004          *           S T P W A T C H
00005          *
00006          *           A S T O P W A T C H F O R T H E P I C O T U T O R
00007          *
00008          *-----*
00009          * R F C O A T E S    1 A U G U S T 1 9 8 3
00010          *
00011          * M O N I T O R C A L L S
00012          *
00013          *
00014          *
00015          00B0    A CLRDIS EQU    $B0
00016          009E    A RSEG  EQU    $9E
00017          00B3    A DISKEY EQU    $B3
00018          *
00019          0002    A PORTA  EQU    2      PORT A DATA REGISTER
00020          0009    A TCR    EQU    9      TIMER CONTROL REGISTER
00021          0010    A DISBUF EQU    $10    DISPLAY BUFFER RAM
00022          0016    A TIMEV  EQU    $16    ADDRESS REG. FOR TIMER SERVICE
00023          0019    A BCDEGU EQU    $19    BCD EQUIVALENT OF DISBUF
00024          001B    A TIC    EQU    $1B    10MS COUNTER
00025          *
00026          * I N D I V I D U A L B I T N U M B E R S I N ' T C R '
00027          *
00028          0006    A TIM    EQU    6      JIMER INTERRUPT MASK
00029          0007    A TIR    EQU    7      TIMER INTERRUPT REQUEST
00030          *
00031          *
00032A 0020          * ORG    $20
00033          *
00034A 0020 9A          * START CLI    ENABLE INTERRUPTS
00035A 0021 A6 45          A LDA    #%01000101 SET TIMER FOR DIV. 32
00036A 0023 B7 09          A STA    TCR    PRESCALER
00037A 0025 A6 49          A LDA    #TIMINT SET TIMER INT. JUMP
00038A 0027 B7 16          A STA    TIMEV
00039A 0029 BD B0          A JSR    CLRDIS CLEAR DISPLAY
00040          *
00041A 002B 4F          * ZERO CLRA   SET BCDEGU TO ZERO
00042A 002C B7 19          A STA    BCDEGU
00043A 002E B7 1A          A STA    BCDEGU+1
00044A 0030 BD 9E          A JSR    RSEG  CONVERT '0' TO 7 SEG.
00045A 0032 B7 10          A STA    DISBUF AND STORE IN DISPLAY
00046A 0034 B7 11          A STA    DISBUF+1 BUFFER
00047          *
00048A 0036 12 10          A LOOP BSET  1,DISBUF PUT D.P. ON IN LEFT DIGIT
00049A 0038 BD B3          A JSR    DISKEY REFRESH DISPLAY
00050          *
00051A 003A 00 02 02 003F BRSET  0,PORTA,TRYSTP BR IF START SWITCH OPEN
00052A 003D 1D 09          A BCLR  TIM,TCR CLEAR TIMER INT. MASK (START)
00053          *
00054A 003F 02 02 02 0044 TRYSTP BRSET  1,PORTA,TRYZER BR IF STOP SWITCH OPEN
00055A 0042 1C 09          A BSET  TIM,TCR SET TIMER INT. MASK (STOP)
00056          *
00057A 0044 04 02 EF 003B TRYZER BRSET  2,PORTA,LOOP BR IF ZERO SWITCH OPEN
00058A 0047 20 E2 002B ZERO    BRA    ZERO IF CLOSED, BRANCH AND ZERO
00059          *
00060          * T I M E R I N T E R R U P T S E R V I C E R O U T I N E
00061          *
00062A 0049 1F 09          A TIMINT BCLR  TIR,TCR CANCEL INTERRUPT
00063A 004B 3A 1B          A DEC    TIC    DECREMENT 10MS COUNTER
00064A 004D 26 0C          005B BNE    TIMOUT BRANCH IF NOT DOWN TO ZERO
00065          *
00066A 004F A6 0A          A LDA    #10 RESET 10MS COUNTER FOR
00067A 0051 B7 1B          A STA    TIC    10 COUNTS
00068A 0053 AE 01          A LDX    #1
00069A 0055 99          SEC    SET CARRY BIT
00070A 0056 AD 04          BSR    ADDC  ADD C BIT TO LS DISPLAY
00071A 0058 5A          DECX   DECCX
00072A 0059 AD 01 005C BSR    ADDC  ADD ANY CARRY TO MS DIGIT
00073          *
00074A 005B B0          * TIMOUT RTI
00075          *
00076          * ADDC - ADDS C BIT TO BCDEGU AND DISBUF
00077          *
00078A 005C 4F          ADDC   CLRA
00079A 005D E9 19          A ADC    BCDEGU,X ADD A (ZERO) PLUS C BIT
00080A 005F A1 0A          A CMP    #9A GONE PAST 9?
00081A 0061 98          CLC    CLC
00082A 0062 26 02 0066 BNE    ADD1 BRANCH IF NOT
00083          *
00084A 0064 4F          CLRA   CLRA
00085A 0065 99          SEC    SEC
00086          *
00087A 0066 E7 19          A ADD1 STA    BCDEGU,X STORE RESULT BACK
00088A 0068 BD 9E          A JSR    RSEG  CONVERT RESULT TO 7 SEG.
00089A 006A E7 10          A STA    DISBUF,X STORE IN DISPLAY BUFFER
00090A 006C 81          RTS
00091          *
00092          *
00093          * END
TOTAL ERRORS 00000--00000
  
```


address of the timer interrupt-service routine, TIMINT, because when a timer interrupt occurs, the c.p.u. fetches the starting address of the service routine from the addresses 7F8/7F9. These addresses though are in eprom and cannot be changed by a user program. Instead, they are set with the address of the following small routine in the monitor, in which the first line loads the index register with the timer-interrupt vector.

```
77E BE16 TIME LDX TIMEV
780 FC JMP 0.X
```

When a timer interrupt occurs this routine loads the index register with the contents of ram register TIMEV at address 016, then jumps (indexed) to that address. So to use the timer, the 8-bit direct address of the service routine is placed in TIMEV.

Next in the program, display is cleared and the b.c.d. equivalent store for the time to be displayed is set to zero. Seven-segment code to display a zero is then obtained by calling the system call RSEG which converts the right-hand (least significant) hexadecimal character in the accumulator seven-segment code. This is then stored in the two display positions used in DISBUF. Routine RSEG always turns the decimal point bit off, but in this application we need the decimal point on in the first digit. To do this, bit one in the first DISBUF byte is set and DISKEY is called, which as previously described will cause one refresh of the display from the contents of DISBUF.

Each of the three switches are checked in turn in the next section. The start switch is checked first by the instruction

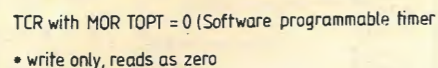
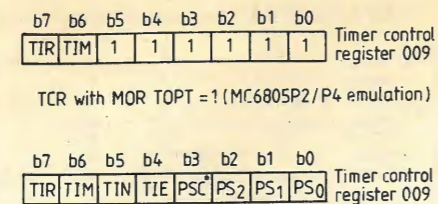
```
BRSET 0,PORTA,TRYSTP
```

The three operand arguments given to the BRSET instruction are 0 to indicate the bit number to be tested, PORTA which is the address of the byte in which bit 0 is to be tested and TRYSTP, the label to which execution must branch if port A bit 0 is set. If the port A bit 0 switch is open, the associated pull-up resistor causes the c.p.u. to read a one (set) and the branch will occur, but if the switch is closed the branch doesn't occur and the instruction BCLR TIM,TCR is executed. This clears the timer interrupt mask bit allowing interrupts to be serviced and the watch to start.

Stop and zero switches are then checked in the same manner. If the stop switch is closed, the timer interrupt mask bit is set again inhibiting the service of interrupts and stopping the clock. When the zero switch is open the program loops back to LOOP to refresh the display again, the loop repeating indefinitely to give the impression of a continuous display. If the zero switch is closed, the program branches back to the label ZERO which resets the time display to zero before continuing the loop.

Timer interrupt-service routine

Nothing in the main program affects the numbers in the display, except the zero function. Alterations to the data are made



• write only, reads as zero

TIN	TIE	Clock
0	0	Internal clock ($\Phi 2$)
0	1	Gated (AND) of external an internal clocks
1	0	No clock
1	1	External clock

PS2	PS1	PS0	Prescaler division
0	0	0	1 (bypass prescaler)
0	0	1	2
0	1	0	4
0	1	1	8
1	0	0	16
1	0	1	32
1	1	0	64
1	1	1	128

within the interrupt-service routine. No reference has been made so far to the timer data register, which as mentioned earlier can be programmed with a value from which it decrements to zero. In this example the t.d.r. is not programmed at all and is left to count the full 256 counts. When it reaches zero, an interrupt is generated but it also carries on decrementing to FF, then FE and so on.

It has been assumed that the clock frequency of Picotutor is 819.2kHz, but with an RC oscillator there will obviously be some tolerance to this and without a crystal oscillator the stopwatch may not be accurate. The timer has been programmed to be preceded by a divide-by-32 prescaler, which means that the t.d.r. will only be decremented every 32 clock cycles. This gives a total division of $256 \times 32 = 8192$. An 819.2kHz clock has a period of 1.22 microseconds, so the t.d.r. passes through zero and generates an interrupt every $1.22 \times 8192 \mu s$ or 10ms. As we need to increment the display every 100ms, the interrupt service routine counts up the interrupts and only increments the display every tenth interrupt.

When the timer generates an interrupt, it latches a request to the c.p.u. until such time as the c.p.u. can respond. The service routine must therefore cancel the request by clearing the timer interrupt request bit, otherwise as soon as the RTI instruction is executed, the service routine will be called again immediately. In the example this is done first and then the ram register 'tic' which counts the 10 interrupts is decremented. If this is not then zero, the service routine is terminated with no further action. If it is zero, 'tic' is reset to 10.

Timer-control register

Configuration of the t.c.r. is determined by the logic level of bit 6 (timer option TOPT) in the mask-option register, m.o.r. Two configurations of the t.c.r. are shown, one with the timer-option bit at one and the second with it at zero. With this bit at zero, software control of the timer-control register is possible. When this bit is one, the timer-control register emulates two other versions of the 6805 known as MC6805P2 and MC6805P4. Under software control, i.e. with TOPT in the m.o.r. at zero, bits 0-2 in the t.c.r. (PS₀₋₂) set the prescaler as shown in the larger table. Bit 3 resets the prescaler when high. The external-timer pin is enabled when bit 4 is high and bit 5 selects an external clock when high or the internal clock when low. Bit 6 is the timer-interrupt mask bit which when high inhibits the timer interrupt to the processor and bit 7 indicates the timer interrupt when at logical one. Resetting does not affect bits 4 and 5. The smaller table explains operation of bits 4 and 5. Further details are given in the Motorola data sheet.

Prescaler should be cleared before changing prescaler bits 0-2 in software.

The display is then incremented as follows. A subroutine is used which adds the carry bit of the c.c.r. to a byte in BCDEQU and then converts this number into a seven-segment code, storing it in DISBUF. Which byte in BCDEQU and DISBUF is operated on is indicated by the offset in index register, which is first set to 01, the C bit set, and the subroutine ADDC called. To add just the C bit, the accumulator is cleared and the ADC instruction used which adds one to BCDEQU(+1). If the result is greater than nine, it is reset to zero and the C bit set, otherwise the C bit is cleared. The result is then stored in BCDEQU(+1) and after converting it into a seven-segment code, is stored in DISBUF(+1). On returning from ADDC, the index is decremented (00) and ADDC recalled. This time it adds any carry from BCDEQU(+1) to BCDEQU(+0) and DISBUF(+0); fortunately none of the intervening instructions affects the C bit. Hence the display will be incremented with the sequence 08, 09, 10, etc.

So what happens in the complete stopwatch software is that the main programme loops round, lighting up the display and checking the switches while being periodically interrupted providing the stop switch hasn't been operated for the display contents to be incremented.

Crystal operation

Clearly a stopwatch that isn't very accurate will not be particularly useful; in accurate timing applications, a crystal oscillator is required. The version of the 6805 in Picotutor gives a choice of two types of clock oscillator, RC or crystal. In non-critical

applications, the RC oscillator is chosen because of the cost saving, but for an application such as a stopwatch a crystal should be used.

The two circuit configurations are shown in Fig. 5, but unfortunately more must be done than just changing the type of oscillator. The processor has to be told which type of oscillator is to be used by the programming of the mask-option register (m.o.r.). This is a byte in eprom, which in the P3-suffix version is at address 784. Six bits of the m.o.r. are used, five being for the timer prescaler to ensure compatibility with rom versions of the 6805. In Picotutor these are all zero which allows software programming of the prescaler as just described. Bit six is the clock-oscillator type bit and is bit seven of address 784.

A look at this address with the mo function on Picotutor will show that it contains 80. The one in bit seven indicates that an RC oscillator is being used, but if this is programmed as a zero, a crystal oscillator must be used. If the eprom is re-programmed a 3.2768MHz crystal could be used to give accurate timing from the stopwatch.

Picotutor may be modified as shown in Fig. 6 to accept a crystal. R₁₇ should be

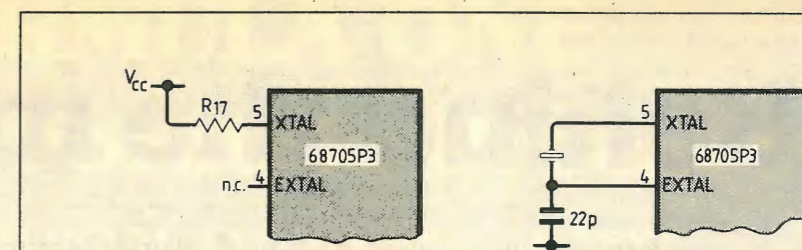


Fig. 5. Two timing elements that may be used with the 68705. Hardware modification is simple but the processor's eprom must also be altered slightly.

removed from the board and replaced by a crystal, the hole spacing being correct for an HC18/U can. A 22pF capacitor is soldered to the underside of the board between pin 1 of IC₁ and the adjacent crystal pin. A wire link it taken from crystal pin to IC₁ pin 4, and the track between the crystal and R₁₈ cut, as shown. For those of you without programming facilities a service will be offered later, giving a choice of oscillator type and some extra programmes in eprom as well as the monitor.

Bob Coates discusses microprocessor analogue interfacing in the next section and presents examples using Picotutor.

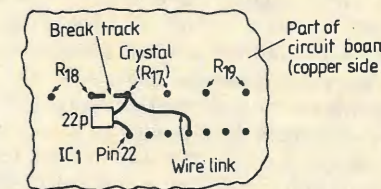


Fig. 6. Hardware modifications to Picotutor to allow more accurate timing using a crystal reference. Some reprogramming is necessary, see text.

continued from page 55

List 6. Array boundary checking using <BUILD...DOES>.

```
: ARRAY
<BUILDS
OVER - SWAP OVER
SWAP,,
DUP + ALLOT
DOES>
DUP ROT
SWAP @ - DUP 0<
IF "array bound error, too low" QUIT THEN
OVER 2+ @
OVER <
IF "array bound error, too high" QUIT THEN
DUP +
+ 4 +
```

(low high .. assumes low <high)

(delta low delta)
(store low is p.f.a., delta as p.f.a. +1)
(that much storage, byte address machine)

(.. p.f.a. p.f.a. index)
(.. p.f.a. required-delta flag)

(.. p.f.a. reqd allowed)
(.. p.f.a. reqd flag)

(word index to byte index)
(add index-skip parameters, leaving array address)

Forth problems

So far, only advantages of Forth have been discussed but it has some disadvantages. The most obvious of these is notation. For the beginner, reverse-Polish notation and the lack of an assignment operator (:=) are considerable problems. Practice lessens the problems though program comments and stack diagrams generally remain necessary to show what is going on.

Floating-point arithmetic is not standard and all data manipulation assumes 16-bit two's-complement arithmetic, but it may be programmed in¹⁵. This shows Forth's origin in the control field of computing. However, many Forth programmers maintain that most problems can be reduced to scaled-integer arithmetic. This drawback makes one aware of the processing cost of floating-point arithmetic. Forth does not use 'data typing'. This means that integer operations are used when logical operations are being performed ('0=' for NOT). There are also separate operators for 32-bit arithmetic. Computer languages can usually apply dif-

ferent operations for the same operator by data typing.

A more serious drawback is the lack of built-in data structures - not that Forth is any worse in this respect than Basic or Fortran. What is lacking are the type of data structures available in Pascal. In common with the formerly mentioned languages, Forth lacks a method of checking for overflow and array boundary conditions in normal operation. But as shown in List 6. This can be programmed in. Naturally, this process increased execution time but when the application works a simpler version of array can be coded by missing out the check. Finally there is as yet no file management software. Access to disc information has to be done using BLOCK numbers.

Summary

I have shown that the programmer is released from the instruction set of the host computer with little time penalty by applying threaded code. Using the compiler, one may easily extend the Forth instruc-

tion set to suit one's own application. As the whole dictionary is available all of the time (ranging from virtual-machine instructions to <BUILDS...DOES> structures) the programmer can tackle low or high-level problems, such as i/o driving or word processing, with equal ease and efficiency. The consistent nature of the compiler and text interpreter allow easy interactive testing of code before it is compiled. Reverse-Polish notation simplifies the compilation process and allows it to be completed in one pass in a small memory. Virtual memory and vocabularies further enhance Forth by offering infinite data space and better control of the application software respectively. However, shortcomings of the language may prevent it from being applied to larger computers where its space-saving features are less useful. But it will continue to find many applications in small and interactive systems and real-time applications including hardware simulation, video games and test-equipment control.

References

8. M. McNeil, A hashed dictionary search method, FORML '81 papers, FIG.
9. T. Dowling, Hash encoded Forth Fields, FORM '81 papers, FIG.
10. K. Schleisiek, Separated heads, Forth Dimensions, vol. 12, no 5, pp. 147-150, FIG.
11. D. Petty, Utilizing vocabularies, FORML '81 papers, FIG.
12. J. Cassidy, Towards a 79-Standard Fig-Forth Romable Vocabulary and Smart FORGET, FORML '81 papers, FIG.
13. G. Shaw, Executable Vocabulary Stack, FORML '81 papers, FIG.
14. J. Gilbreath, A high-level Benchmark, Byte, Sep. 1981, pp.180-196 (for algorithm and performance data see Byte, Jan. 1983).
15. M. Jesch, High-level floating point, Forth Dimensions, vol.IV, no. 1, pp.6-12.

WIN

HOW TO ENTER: BUY JUST ONE OF THESE PRODUCTS TO RECEIVE YOUR ENTRY FORM. BUT HURRY - CLOSING DATE FOR ENTRIES IS 31.1.84 - AND YOU CAN'T BUY BETTER



CDC DISKETTES AT CRAZY PRICES!

Code	Type	Price
TD1	5 1/4" 40 TRK single sided	£1.70
TD2	5 1/4" 40 TRK double sided	£2.05
TD3	5 1/4" 80 TRK single sided	£2.85
TD4	5 1/4" 80 TRK double sided	£2.99
TD5	8" 40 TRK SS-SD	£1.78
TD6	8" 40 TRK SS-DD	£2.10
TD7	8" 40 TRK DS-SD	£2.85
TD8	8" 40 TRK DS-DD	£2.95

10 per box. Prices per diskette quoted. Discounts for quantity ADD 15% VAT + £1.50 P&P

MINIMUM ORDER FOR PAPER = 5 BOXES

LARGE RANGES OF PAPER AND RIBBONS AT GREAT PRICES

Code	Type	Price
TD9	11" x 8 1/2" 60 GSM Plain	£3.75
TD10	11" x 9 1/2" 60 GSM Perf'd Margins	£3.95
TD11	11" x 14 1/2" 70 GSM Music Ruled	£5.95
TD12	11" x 450mm 60 GSM Music Ruled	£5.95
RIBBONS:	10 off EPSON FX-80	£49.95
	10 off EPSON FX-100	£42.50

ADD 15% VAT + £1.50 CARR. PER ITEM (PAPER) OR BOX OF 10 RIBBONS. DELIVERY 10-14 DAYS

MANY MORE AVAILABLE - PHONE FOR DETAILS NOW! 01-965 0627

SINGLE BOARD COMPUTER...

Very powerful and versatile, from Rade Systems the R150 multiprocessor SBC £3851 (ex. VAT + carr). Amazing spec. Look what you get: Z80A at 4MHz with 64K RAM 5 1/4" disk controller, Z80A CTC, Z80A DMA, Z80A P10, memory mapped VDU uses M6845 CRT, got 25x80 char display, you can use all the TD8 option cards to build your own powerful system, or build your own TD8! Suitable power supply £95. Keyboard from £85. Cased Video Monitors from £95. Supplied with full technical documentation. Demand for this excellent machine is high! Order now! Power requirements: +5V @ 1.5A, +12V @ 25A, -12V required for RS232 option - available on our standard PSU.



Name.....
Address.....
Tel.....

1st PRIZE: A 14" COLOUR TV WITH TELETEXT AND FULL REMOTE!

2nd PRIZE: SHARP PC1500 PORTABLE COMPUTER!

3rd PRIZE: £50 VOUCHER to spend on any product on this page!

Get your entry form NOW! See left

EASY TO ENTER COMPETITION

DON'T WASTE MONEY! ON OTHER COMPUTERS: COMPARE THE TD8 WITH OTHERS - COME TO US LAST!

FROM £995 (ex VAT and monitor) PHILIPS 12" VDU 25x80 char. display



For dual 250KB disk system with 25x80 char. VDU, 93-key keyboard, user definable char. set, 128KB RAM (no upper limit to expansion, due to our unique bus structure. This also allows CPUs to be mixed). 4KB ROM with M/C monitor, bootstrap, dual RS232 ports to 19.2K baud, software controlled. Unique 'stackable' option modules allow easy and cheap expansion of your system - the first rational development from S-100 bus based machines!

TD8 SYSTEM PROCESSOR



CP/M80 £139. CP/M86 £225. 8086/7 with 128KB £495 extra gives you THE most powerful machine in its class. You could spend £6,000 for a machine of this specification.

TD8 Keyboard

Other options include: 64KB RAM expansion £135. 192KB RAM £249. IEEE488 £97.50. Sync comms £78. Dual Parallel Ports £59. Dual RS232 £59. 68000 CPU £TBA. 16032 CPU £TBA. A to D and D to A converters, high res. graphics, floppy and hard disk controllers and drives, tracker ball, real-time clock/calendar with BBU and more on the way!

CHOOSE YOUR SOFTWARE FIRST THEN HARDWARE...

SOFTWARE: WordStar, Mailmerge, D Base II, Personal Pearl, MBasic, CBasic, Pascal 2, MT+, Fortran, CIS Cobol, C, Cardbox, FMS, Datastar, CalcStar, Supercalc, Mathemagic, Peachtree Sales Nominal, Purchase Ledgers, Inventory Management, Payroll, etc. ADA, Charger, Rattor, Act 80, Act 65, 68, 69, 86/88, Trans8, Catchum and much more!



PHONE TO ARRANGE DEMO 01-965 0627 24 HOURS - SEVEN DAYS

Complete TD8 system (as illust.) with Keystar, Epson RX-80, disk filing box, CPM 2.2 and WordStar, VDU and keyboard

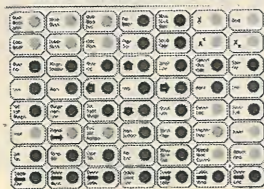
ONLY £1895!

ADD £19 carr. Does not include desk unit. Price is ex. VAT & carr

OR with HR15 Daisy Wheel - £1995 (ex. VAT, £14 carr)

KEYSTAR

SCALE COPY OF KEYSTAR KEYBOARD SHOWING THE FUNCTIONS PROVIDED



NO MORE FUMBLING FOR THE 'CONTROL' KEY!

ONLY £189.95 ex. VAT & carr. Add £2 P&P

SUITS MOST MACHINES:

Keystar's friendly keyboard allows you to work more efficiently saving time and mistakes! Demand is high for this amazing addition to the world's most popular WP package, SO ORDER NOW! 01-965 0627 Telex: 24708

IT'S HERE!

The answer to all your WP problems!! If you use WordStar, Keystar will allow even those unfamiliar with WP to use the system straight away!

INCREDIBLE!

A high quality daisy wheel printer with RS232 interface, 3KB character buffer, and a host of other features like full WordStar function support, dual colour (red/black) printing ONLY £475 (ex. VAT + £12 carr)



SPECIAL OFFER UNTIL JANUARY 1, 1984 FREE DATA CABLE WITH EVERY BROTHER HR15! Use this printer with the low-cost TD8 micro for the ultimate in low-cost WP systems

DATA CABLES MADE TO YOUR SPEC/OFF SHELF

RS232 25-way 'D-type'		34 WAY RIBBON (suits disks below)	
9 way M to ME M to FE F to FE 6 metre	15 way M to ME M to FE F to FE	34 way DIL IDC to one 34 way PCB IDC	£12
		34 way DIL IDC to two 34 way PCB IDC	£15
		34 way DIL IDC to three 34 way PCB IDC	£19
		34 way DIL IDC to four 34 way PCB IDC	£24
M to ME M to FE F to FE 12 metre	M to ME M to FE		ADD 15% VAT + £1.50 P&P

KEEP RUNNING OUT OF SPACE? BDOS ERRORS? ADD AN EXTRA DISK DRIVE TO YOUR MACHINE

CASED AND UNCASED UNITS



WITH OR WITHOUT POWER SUPPLY MODULES

TEAC FD-55 features:
● Half the height of conventional drives
● Capacity from 125 KBytes to 1.6MBytes
● Perfect disk registration
● Brushless DC direct drive motor
● High-speed data access
● Low power generation (4.9 W, operating)
● LED/photo sensor system

DUAL DRIVE UNITS WITH PSU

Twin 250K SS 40 TRK	£299
Twin 500K DS 40 TRK	£425
Twin 500K SS 40/80 TRK	£425
Twin 1MB DS 40/80 TRK	£495
Twin 1.6MB DS 80 TRK	£600

3.2MB £675! inc. case and PSU ex VAT
2MBytes £495! inc. case and PSU ex VAT, Carr. £4

TRADE ENQUIRIES WELCOME

Post now to: Teledigital Computer, 42 Gorst Road, Park Royal Industrial Estate, London NW10 6LD

Please send me:

Qty	Description	@£	+ VAT & Carr

Phone us if you require more information on any of the above 01-965 0627

Barclaycard VISA

*I enclose cheque/P.O. for £
*My Access/Visa number is
Allow up to 28 days for delivery on non-media products. Your entry form will be sent by return
*Delete where applicable

Table guide

Where a manufacturer produces a range of models we have taken a basic version. Filled blobs in the table indicate that a feature is provided, open blobs or parentheses that it is optional. A fuller description of the table will follow next month.

C/WP Cortex: not to be confused with Powertran's machine. Interrupt-driven RS232 interface, though essentially an office machine. Selected as standard computer by the City University. BBC Basic available. Second processor (6502) has 48K ram, 8K rom for graphics display ('treats the screen as if it were 192,000 electric light bulbs'). WW519

Datac MC system: for education and laboratory use. A special Basic interpreter handles real-time interrupts and nested scheduling. Various optional analogue and digital i/o boards (£19-£79) may be connected via an experimental unit (£125). WW520

Digital (DEC): large range of personal computers and word-processors. Rainbow 100: three expansion slots for options, runs CP/M-86,80. Professional 325: 'a PDP-11 on your desk'. Winchester storage. Professional 350: similar, but with four option slots. WW521

Dragon Data Dragon 32: cartridge and expansion ports. Extra languages include Pascal and Cobol. Some resemblance to expanded version of Tandy TRS-80 Colour Computer. Dragon 64 at £196 has 64K ram and a built-in RS232 port. WW522

DVW Microelectronics Husky: NiCd-powered portable machine for use in flammable atmospheres. A-to-d option and parallel port for data gathering can be built in. Extended Basic, up to 144K memory. Range of communications interfaces including IBM 2870 compatibility. WW523

EACA Colour Genie: two parallel ports, light-pen port, processor signals available at cartridge port. Assembler included. WW524

Elan Enterprise: promised for April 1984. Standard features include two cassette ports, cartridge port, RS423, 256 colours, stereo sound, built-in joystick, 64-way interface connector, network interface for up to 32 computers. Memory expandable to 3.9MB. Built-in word-processor. Forth and Lisp to come. WW525

Epson QX10: 60-way bus with five expansion slots; light-pen port; memory expandable to four switchable banks of 64K, with 2K of battery-backed ram; upgradable to colour. WW526

Future FX20: 'IBM-PC compatible'. IBM bus option. On-board diagnostic software

Maker	Model	Basic price (£) excluding v.a.t.	Type	Bits	Speed	Included Rom size	Languages	O.S.	Rom/disc	V.d.u (Integral)	Video out	R.f. modulator	Other display	Chars (max)	Pixels	Printer Centronics	Other interface	Ram (K)	Disc(s)	Cassette	Communications	Processor access	Serial	IEEE-488	S100	Other parallel	Analogue	Real-time clock
ABS	Orb	5950	8086-2	16	2	B		r/d	r/d	M				80x25	640x256			256										
Acorn	BBC Electron	347	6502	8	2	B		r	r	M				80x25	640x256			32										
ACT	Apricot	173	8086+8087	16	5	B		d	d	M				132x50	800x400			256										
Action Instruments	Sirius	~1495	8088	16	4	B		r	r	M				132x50	800x400			128										
Advance	86a	2195	8086 (+8087)	16	5	B		r	r	M				80x24	160x80			2										
Alpha Micro	PAC	348	8086	16	4	B		r	r	M				40x24	640x200			128										
Apple	IIe	845	6502A	8	4	B		r/d	r/d	M				48x24	280x192			64										
Apple	IIc	2395	6502B	8	4	B		r/d	r/d	M				80x24	560x192			64										
Apple	IIx	6500	68000	16	10	B		r/d	r/d	M				144x45	720x364			1M										
Aston Technology	Crystal	4395	68000	16	10	B		d	d	M				132x25	40x24			16										
Atari	600XL	139	6502C	8	1.8	B		d	d	M				40x24	320x192			256										
Bleasdale	BDC 680A	8509	68000	16	8	B		r/d	r/d	M				80x25	640x200			64										
BMC International	if 800	1700	Z80A	8	4	B		d	d	M				40x24	248x256			64										
British Micro	MIMI 803	1495	Z80A	8	4	B		d	d	M				40x24	248x512			64										
Bromcom	Superstar 10	1750	Z80A/8086	8/16	4	B		d	d	M				40x24	256x192			64										
Camputers	Lynx Level 3	196	Z80A	8	4	B		d	d	M				40x24	248x512			48										
Caedata	8200	1795	Z80A	8	4	B		d	d	M				40x24	256x192			64										
CGL	M5	165	Z80A	8	4	B		d	d	M				40x24	256x192			20										
Comart	CP100A	1895	Z80A	8	4	B		d	d	M				22x23	176x158			64										
Comart	CP1202	2745	8086	16	6	B		d	d	M				40x25	320x200			256										
Commodore	VIC-20	121	6502	8	1	B		r	r	M								5										
Commodore	64	173	6510	8	1	B		r	r	M								64										

continued on page 70

Maker	Model	Basic price (£) excluding v.a.t.	Type	Processor	Speed	Included	Rom size	Languages	O.S.	V.d.u (Integral)	Video out	R.G.B.	R.f. modulator	Other display	Chars (max)	Pixels	Built-in Centronics	Other interface	Ram (K)	Storage (Discs)	Interface
CWAP	500	800	6509(8088)	8	1	B	28	Others	r	M					40x25	BBC31S			128		Real-time clock
Datrac	MC	1695	Z80A+6502	8	4	B	8		r/d					80x25	BBC31D				64		Analogue
Digital (DEC)	Rainbow 100	439	Z80	8	2	B	8		d	M				132x24	BBC32S		EIA		128		Other parallel
Dragon	Professional 300		F11 (Z80)	8	8/16	(B)	16		d	M				132x24	BBC32D				512		IEEE-488
DVV Microelectronics	Dragon 32	152	6809	8	1	B	16		r				lcd	32x4	BBC34S				32		Serial
EACA	Husky	1784	NS800	2		B	32		r					40x24	BBC34D				32		Processor access
Elan	Colour Genie	146	Z80A	8	4	B	16		r					84x56					64		Communications
Epson	Enterprise	200	Z80A	8	4	B	32		d	M				80x25					192		
Future	OX-10	1735	Z80-type	8	4	B	32		d	M				80x25					128		
Haywood	FX20	1795	8088	16	4	B	48		r/d					80x25					64		
Hewlett-Packard	9000	762	Z80A	8	4	B	48		r					32x1					16		
	HP-75C	2257	c.m.o.s	8		B	>48		r					32x16					120		
	HP-85B	2257		8		B	>56		r					80x24					128		
	HP-96B	1194		8		B			r					80x24					256		
	HP-150	2900		16	8	B			r					80x27					128		
	HP-200,16	2795	8088	16	8	B			r/d					80x25					64		
HH Microcomputers	Tiger	3770	68000	8	4	B	16		r/d					80x25					64		
Hotel Microsystems	Minstrel	3185	Z80/6809	8	4	B	16		d					80x24					64		
Hytek	Model 20	3450	Z80A	8	6	B	32		r/d					80x24					192		
IBM	PC	2678	8088	16	4.8	B	32		r/d					80x25					64		
ICL	PC15	1795	8085AH2	8	5	B	8		r/d					80x25					64		
Immediate Bus Systems	Fieldwork 50		Z80L	8	8	B	8		r/d					lcd 40x2					32K		
Integrated Micro Prods.	IMP-68	1995	68000	8	8	B	16		r/d					160x72					256		
ITCS	Alfa D3	2395	Z80A	8	4	B	16		r/d					80x25					64		
	Zita-EA	1650	Z80A	8	4	B	16		r/d					80x25					64		
lotec	64CD	1650	Z80A	8	4	B	16		d					80x25					64		
Jarogate	MP5	78	Z80/8086	8	3	F	8		r					32x24					3		
Jupiter Cantab	Ace		Z80	8	4	B	8		r					754x482					64		
Kemtron	KS200E	1530	Z80A	8	6/8	B	<32		r/d					132x29					128		
LSI	Octopus		Z80B/8088	8	16	B	<48		r/d					132x27					16		
Leenshire	Vitesse	2490	6809	16	5	B	8		r/d					80x24					64		
Logica VTS	MTX560	44	8086	8	4	B	8		r					40x24					4		
Mattel	Aquarius	239	Z80A	8	4	B	24		r					40x24					32		
Memotech	MX400	799	Z80A	8	4	B	24		r					40x24					64		
Micronix	MX400	799	Z80A	8	4	B	24		r					80x24					64		
Modcomp Inc.	Zorba 2000	~1400	Z80A	8	4	B	<32		d					80x25					64		
Modus	Tensor		Z80A	8	4	B			r/d					80x25					56		
Motorola	EXORset 100		6809	8	4	B			r/d					fluor 20x1					384		
Multitech	VME/10	140	68010	16	8	B			r/d					80x25					4		
NEC	MPF-1 Plus	1875	8086(8087)	16	5	(B)			r/d										4		

"I was pleasantly surprised to receive your parcel yesterday only 2 working days after I first wrote to you - not many suppliers in the small computer market manage such a fast turnaround time." J.L., London

- BBC Microcomputer Upgrade Kits**
- BBCA2B Model A to B upgrade kit 60.00
 - BBC3 Disc interface kit 84.95
 - BBC3D Double density disc interface kit 89.95
 - BBC7 Econet interface kit 60.86
 - ANB14 Speech interface 47.82
- BBC Microcomputer Econet Accessories**
- AEH18 10 Station lead set 25.00
 - AEH15 Terminator box 30.43
 - AEH14 Clock box 39.13
 - AES20 Fileserver Level 1 86.09
 - AES21 Fileserver Level 2 216.52
 - AEH17 100m Econet cable 86.09

- BBC Microcomputer Cables and Connectors**
- BBC21 Printer cable inc Amphenol plug 13.00
 - BBC22 User port connector + 36" cable 2.46
 - BBC23 Cassette cable 2x3.5mm + 1x2.5mm jacks 3.50
 - BBC24 7 pin din pl. (cassette int) 0.60
 - BBC25 6 pin din pl. (RGB output) 0.60
 - BBC26 5 pin din pl. (serial int) 0.60
 - BBC27 5 pin din pl. (Econet int) 0.60
 - BBC35S Data cable single drive 8.50
 - BBC35D Data cable dual drive 12.50
 - BBC36S Power cable single drive 4.50
 - BBC36D Power cable dual drive 5.50



Carriage Charges

Computers, Monitors, & Printers by Datapost 7.50
Disc drives, paper, 2nd Proc, Teletext Normal post 5.00
Books and joysticks by normal post 1.00
All other items by normal post 0.75

Terms

All items offered subject to availability. All prices exclude VAT which is charged at the prevailing rate (currently 15%) as shown above. Government, Local Authority and educational establishment official orders welcome. Account facilities available subject to status otherwise strictly cash with order. Credit cards (Access & Visa) accepted with no surcharge on all items except BBC Microcomputers. Full refund, if requested, on out of stock items.

Delivery

Most items are available ex-stock and orders received up to 3PM will be despatched the same day.

Guarantee

All products are guaranteed for 12 months from date of purchase irrespective of original equipment manufacturers guarantee.

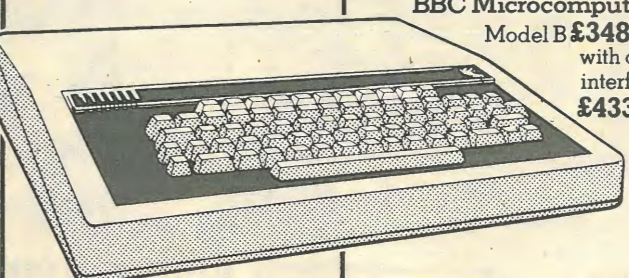
Telephone Orders

24 hour service (ansaphone after hours) available for telephone orders.

- BBC Microcomputers Price £**
- ANB01 BBC Microcomputer Model B 348.26
 - ANB02 BBC Microcomputer Model B + Econet 389.14
 - ANB03 BBC Microcomputer Model B + Disc 433.21
 - ANB04 BBC Micro. Model B + Disc & Econet 474.09
- BBC Microcomputer Compatible Disc Drives**
- BBC31S Single 100K drive 175.00
 - BBC31D Dual disc drive 2x100K 315.00
 - BBC32S Single 200K double sided drive 225.00
 - BBC32D Dual double sided disc drive 2x200K 420.00
 - BBC34S Single 400K double sided 80 track disc drive. 40/80 track switchable 285.00
 - BBC34D Dual double sided 80 track disc drive 40/80 track switchable 525.00

- Acornsoft Languages**
- SBL01 Forth cassette 14.65
 - SBL02 Lisp cassette 14.65
 - SBL04 Microtext cassette 43.35
 - SNL02 Forth 40 track disc 17.30
 - SNL01 Forth 40 track disc 17.30
 - SNL04 Microtext 40 track disc 52.00
 - SNL03 BCPL Rom disc & Manual 86.65
 - SBB03 View ROM 52.00

"Once again, many thanks for your speedy and efficient service." B.Y., London



BBC Microcomputers Model B £348.26 with disc interface £433.21

- BBC Microcomputer Compatible Floppy Discs**
- BBC40TS Single sided 40 track discs Box of 10 15.00
 - BBC40TD Double sided 40 track discs Box of 10 25.00
 - BBC80TD Double sided 80 track discs Box of 10 32.00

"Thank you for your prompt, helpful service." J.W., Langley, Berkshire

"I am impressed with your quick and efficient service." R.N., Peterborough

- Acorn & Acornsoft Books**
- SBD01 Creative Graphics 7.50
 - SBD02 Graphs and Charts 7.50
 - SBD03 Forth 7.50
 - SBD04 Lisp 7.50
 - SBD07 View guide 2.50
 - SBD08 Into View 2.50
 - SBD10 BCPL Manual 15.00
 - ANU01 User Guide 10.00
 - BBC37 CCU DFS Manual 1.00

Prices: all prices exclude V.A.T. and carriage. Please add these to your order.

- BBC Microcomputer Compatible Monitors**
- 14MON Microvitec 1431 colour monitor 215.00
 - 12MNON NEC 12" high resolution monitor Green phosphor 139.00
 - 9MON NEC 9" high resolution monitor Green phosphor 129.00
 - STAND Monitor stand 9.95
- BBC Microcomputer Accessories**
- ANC01 2nd Processor 6502 170.00
 - ANC04 2nd Processor 280 295.00
 - ANE01 Teletext receiver 195.65
 - BBC45 Pair of joysticks 11.30

SPECIAL EDUCATIONAL TELEPHONE NUMBER FOR FAST, IMMEDIATE SERVICE, TELEPHONE YOUR ORDER TO: DISS (0379) 898001

"Fantastic service - I wish more people were as 'on the ball' as you are." T.P., Tiverton, Devon

We didn't learn by our mistakes.

Since its inception in 1979 Midwich has specialised in the educational market and is probably now one of the most widely recognised suppliers of microcomputer products.

From the outset our educational policy has been one of preferential pricing, service, supply and support.

As a result many departments in most of Britain's universities are regular customers. The majority of technical colleges and hundreds of schools are supplied and serviced by Midwich.

Complex new systems such as Econet are supported by fully trained engineers and the very latest equipment. And every system is thoroughly checked and tested before installation.

We didn't want to learn by our mistakes, so we've tried not to make them.



MIDWICH COMPUTER COMPANY, RICKINGHALL HOUSE, HINDERCLAY ROAD, RICKINGHALL, SUFFOLK IP22 1HH. TELEPHONE DISS (0379) 898001.

WW - 006 FOR FURTHER DETAILS

IRVINE BUSINESS SYSTEMS LTD.

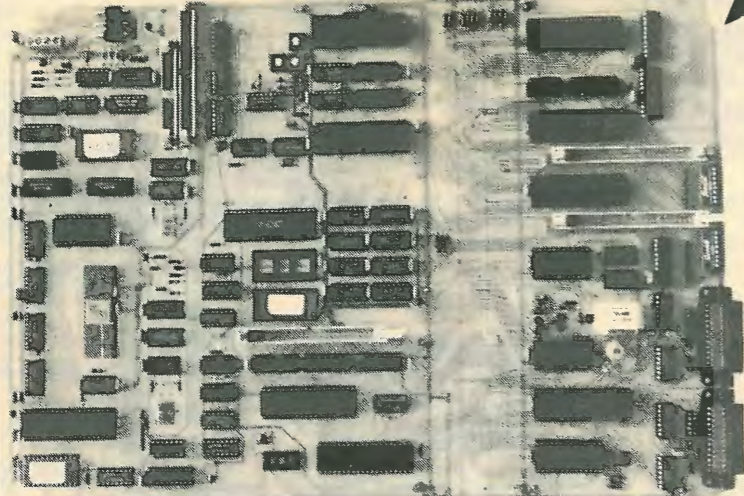
KEYBOARDS FROM £95.00
12" P31 MONITORS
FROM £95.00

CP/M 2-2 FOR
IBS 750 £95.00
DOCS £15.00

5 1/4" TEAC DISK DRIVES
250K FD55A = £159.00
500K FD55E = £189.00
IMB FD55F = £249.00
Subject to Yen fluctuation

SWITCH MODE POWER SUPPLY
+ 5V @ 7 amps
+ 12V @ 3 amps
+ 12V @ 1 amp
- 5V @ 1 amp
80w
£79.95

A SINGLE CARD COMPUTER FOR ONLY
THE **IBS 750** S.B.C.



£423.35*
+ V.A.T.
Deposit Per Month
£48 **£19**

- ★ 4 MEG Z80 CPU
- ★ 64K RAM
- ★ 16K PROM
- ★ 5" & 8" DISK CONTROLLER
- ★ 80x24 VIDEO GEN
- ★ 2x SERIAL I/O
- ★ 4x PARALLEL I/O
- ★ IEEE 488 INTERFACE*
- ★ KEYBOARD PORT
- ★ HARDWARE RTC
- ★ MONITOR IN PROM
- ★ BARE BOARD AVAILABLE @ £99.95

* Above price excludes IEEE 488 option

NEW BUDGET ACCOUNT
£1,000 INSTANT CREDIT
ON ANY PRODUCTS

VISIT US AT
COMPEC
Stand 2976

IRVINE BUSINESS SYSTEMS LTD
1 Montgomery Place
Irvine, Ayrshire KA12 8NP
Tel: 0294 75000

10% Deposit + 24 x Monthly Payment Credit Limit. A.P.R. 30.6%

HAND MADE BY HUMANS IN IRVINE, SCOTLAND

WW - 068 FOR FURTHER DETAILS

On Stand 108 at
MDS '84
Wembley

A Real-time Winner



Simply the ultimate language and operating system for all well-known microcomputers.

COMSOL
FIRST with FORTH +

polyFORTH gives you flexibility, efficiency and programming productivity hitherto undreamt of - it is fast to develop programs and fast to execute them.

polyFORTH multi-tasking means multiple task organisation within one application, and multi-terminal access to a shared system.

polyFORTH target compiler with full system source facilitates creation of customised embedded systems as well as complete regeneration of **polyFORTH** itself.

polyFORTH options include database management, screen editor, floating point and screen debug.

Recent Upgrades include **HELP** screens for all utilities, **on-line access** to extensive source documentation, **name length** increased to 31 characters, **400 page** manual.

polyFORTH - the professional software system for the professional user.

Get the full **FORTH** story from Computer Solutions Limited

1 Gogmore Lane, Chertsey,
Surrey KT16 9AP

Telephone: Chertsey (09328) 65292
Telex: 8954029

WW - 037 FOR FURTHER DETAILS

Maker	Model	Basic price (£) excluding v.a.t.	Type	Bits	Speed	Included Rom size	Others	Language	O.S.	V.d.u (Integral)	Video out	R.G.B.	Other display	Chars (max)	Pixels	Built-in Centronics	Other interface	Ram (K)	Disc(s)	Cassette	Communications	Processor access	Serial	IEEE-488	S100	Other parallel	Analogue	Real-time clock
Newbrain	Newbrain	~200	Z80	8	4	B 29	•	with Basic	p	M	•	•	80x40	80x40	640x250	•	•	32	•	•	•	•	•	•	•	•	•	
Oric	ORIC-1	87	6502	8	4	B 16	•	with Basic	r/d	M	•	•	40x28	40x28	240x200	•	•	16	•	•	•	•	•	•	•	•	•	
Osborne	Executive	1995	Z80A	8	4	B 8	•	various	d	M	•	•	80x24	80x24	640x400	•	•	128	•	•	•	•	•	•	•	•	•	
Philips	P3500	>3000	Z80	8	4	B 8	•	TurboDOS	d	M	•	•	80x25	80x25	640x400	•	•	64	•	•	•	•	•	•	•	•	•	
Phoenix	Stratos	>2000	Z80	8	8	B 4	•	CP/M	d	M/C	•	•	80x25	80x25	640x400	•	•	>96	•	•	•	•	•	•	•	•	•	
Plessey	PC-16	1795	8086(+8087)	16	8	B 4	•	MS-DOS	r/d	M	•	•	80x25	80x25	640x400	•	•	128	•	•	•	•	•	•	•	•	•	
Portico	Miracle	1095	Z80A	8	8	B 4	•	CP/M	d	M	•	•	80x25	80x25	640x400	•	•	128	•	•	•	•	•	•	•	•	•	
Positron	900	1536	Z80	8	8	B 4	•	CP/M	d	M	•	•	80x25	80x25	640x400	•	•	128	•	•	•	•	•	•	•	•	•	
Powertran	Cortex kit	344	TM8995	16	8	B 36	•	OS-9	r	M	•	•	40x24	40x24	240x240	•	•	64	•	•	•	•	•	•	•	•	•	
Redifusion	Teleputer 3	3595	Z80	8	8	B 24	•	OS-9	r	M	•	•	40x24	40x24	256x192	•	•	64	•	•	•	•	•	•	•	•	•	
Research Machines	Link 4802	685	Z80	8	4	B 32	•	MDX	d	C	•	•	80x24	80x24	640x192	•	•	128	•	•	•	•	•	•	•	•	•	
Rockwell	AIM 65/500	530	6502	8	4	B 12	•	CP*/CP/M	d	M	•	•	80x24	80x24	640x192	•	•	64	•	•	•	•	•	•	•	•	•	
	AIM 65/40	375	6502	8	4	B 12	•	CP/M	r	M	•	•	20x1	20x1	640x192	•	•	4	•	•	•	•	•	•	•	•	•	
	19/64DS5	1304	6809	8	2	B 8	•	OS-9	r/d	M/C	•	•	80x25	80x25	640x400	•	•	16	•	•	•	•	•	•	•	•	•	
Seed	Duet 16	1066	8086(+8087)	16	8	B 4	•	CP/M	d	M	•	•	80x24	80x24	640x400	•	•	56	•	•	•	•	•	•	•	•	•	
SBC	Pied Piper	217	Z80A	8	4	B 8	•	FDOS	d	M	•	•	80x25	80x25	520x200	•	•	64	•	•	•	•	•	•	•	•	•	
Semi-Tech	MZ700	900	Z80	8	4	B 8	•	with Basic	d	M	•	•	32x24	32x24	64x48	•	•	64	•	•	•	•	•	•	•	•	•	
Sharp	MZ80B	35	Z80A	8	~3	B 8	•	CP/M-type	d	M	•	•	32x16	32x16	256x192	•	•	64	•	•	•	•	•	•	•	•	•	
	ZX81	87	Z80A	8	~3	B 16	•	Pips	r/d	M	•	•	40x24	40x24	512x512	•	•	16	•	•	•	•	•	•	•	•	•	
Sinclair Research	ZX Spectrum	2800	Z80A	8	4	B 1	•	FLEX	r/d	M	•	•	40x24	40x24	512x512	•	•	64	•	•	•	•	•	•	•	•	•	
	Midax MPS	~430	Z80A	8	4	B 1	•	UniFLEX	r/d	M	•	•	40x24	40x24	512x512	•	•	64	•	•	•	•	•	•	•	•	•	
Sirton	M223/11	8009	6809	8	4	B 4	•	various	d	M	•	•	32x16	32x16	240x64	•	•	64	•	•	•	•	•	•	•	•	•	
Sord	F09	~3000	6809	16	5	B 32	•	with Basic	d	M	•	•	40x8	40x8	240x64	•	•	64	•	•	•	•	•	•	•	•	•	
Stirling	S301	87	8086	8	2.4	B 8	•	various	r	M	•	•	32x16	32x16	256x192	•	•	16	•	•	•	•	•	•	•	•	•	
SWTP	MC10	434	80C85	8	0.9	B 14	•	various	d	M	•	•	80x24	80x24	256x192	•	•	64	•	•	•	•	•	•	•	•	•	
	Model 100	209	6809	8	4	B 4	•	various	d	M	•	•	80x24	80x24	256x192	•	•	64	•	•	•	•	•	•	•	•	•	
	Colour computer	1304	Z80A	8	4	B 4	•	various	d	M	•	•	80x24	80x24	256x192	•	•	64	•	•	•	•	•	•	•	•	•	
	Model 4	2086	Z80A	8	4	B 4	•	various	d	M	•	•	80x24	80x24	256x192	•	•	64	•	•	•	•	•	•	•	•	•	
	Model 12	3303	Z80A	16	6	B 14	•	various	d	M	•	•	80x24	80x24	256x192	•	•	64	•	•	•	•	•	•	•	•	•	
	Model 16	1080	Z80A	16	6	B 14	•	various	d	M	•	•	80x24	80x24	256x192	•	•	64	•	•	•	•	•	•	•	•	•	
	OM8064	2395	Z80	16	6	B 14	•	various	d	M	•	•	80x24	80x24	256x192	•	•	64	•	•	•	•	•	•	•	•	•	
	TS1603	79	9900	16	4	B 26	•	various	r	M	•	•	32x24	32x24	256x192	•	•	16	•	•	•	•	•	•	•	•	•	
	T199/4A	350	Z80	8	4	B 32	•	various	r	M	•	•	80x24	80x24	1024x400	•	•	64	•	•	•	•	•	•	•	•	•	
	Alphatronic PC	~1700	8085A/8088	8/16	4	B 4	•	various	r/d	M/C	•	•	80x24	80x24	1024x400	•	•	64	•	•	•	•	•	•	•	•	•	
	Tuscan	290	Z80	8	4	B 4	•	various	r/d	M	•	•	80x24	80x24	512x480	•	•	64	•	•	•	•	•	•	•	•	•	
	Microframe	875	2xZ80A	8	1	B 16	•	various	r/d	M	•	•	80x25	80x25	512x480	•	•	64	•	•	•	•	•	•	•	•	•	
	Apollo	8095	6809	8	2	B 16	•	various	d	M	•	•	80x24	80x24	512x480	•	•	64	•	•	•	•	•	•	•	•	•	
	Wyvern	875	6809	8	2	B 16	•	various	d	M	•	•	80x24	80x24	512x480	•	•	64	•	•	•	•	•	•	•	•	•	
	Wessex	875	6809	8	2	B 16	•	various	d	M	•	•	80x24	80x24	512x480	•	•	64	•	•	•	•	•	•	•	•	•	
	Windrush	2070	8085/8088	8/16	2	B 16	•	various	d	M	•	•	80x25	80x25	512x480	•	•	64	•	•	•	•	•	•	•	•	•	
	ZF-100-21	2070	8085/8088	8/16	2	B 16	•	various	d	M	•	•	80x25	80x25	512x480	•	•	64	•	•	•	•	•	•	•	•	•	

for hardware monitoring. Ram parity checking. Local-area networking facility as standard. Ethernet gateway, multi-user, communications options. Range includes seven other models; upgrade kits available. **WW527**

Haywood 9000: CP/M computer. Serial output is prom-programmable in five modes for special applications. **WW528**

Hewlett-Packard: large range of machines for a variety of purposes, widely used in research and development. High performance, high price. **HP-75C:** battery-powered portable. Accepts three 16K plug-in roms, up to 24K ram. Built-in clock, reader for 1300-byte magnetic cards. Mini-cassette interface. **HP-85B:** maximum rom 96K, total memory storage 640K (120K fitted). Non-standard tape cartridge with search feature. Optional b.c.d., serial current-loop, general purpose i/o interfaces. Five-inch c.r.t. **HP-86B:** real-time clock plus three timers (0.5ms to 1.16 days). Maximum rom 104K, total addressable memory 712K. **HP-150:** 896 display characters including special mathematical symbols, touch screen. **HP Series 200, Model 16** personal technical computer: real-time clock and timers, various built-in or add-on interfaces, Basic and Pascal. **WW529**

HH Microcomputers Tiger: triple processor design - second for i/o with 16K rom, 2K ram and third for graphics with 96K separate display memory. 50-pin Z80 bus expansion connector. Network data link. Prestel modem complete with jack plug built in. **WW530**

Hotel Microsystems Minstrel: various configurations possible from Z80A CP/M system up to 68000-based model, including 8086 range. Ten S-100 bus slots. **WW531**

Hytek Prelude 20: CP/M computer can be upgraded to hard disc. Network interface processor option. MS-DOS promised. Other models available. **WW532**

IBM Personal Computer: colour and hard-disc options available. Standard o.s. is MS-DOS but CP/M86, UCSD-p available and Unix 'being looked into'. Five expansion slots are available internally. Printer and some software included in price. **WW533**

ICL Personal Computer: two models with CP/M and Basic, two with MP/M and Basic. Hard disc except on Model 15. Design will accommodate 8088 16-bit processor. ICL/IBM communications, much software. Maximum memory 512K; four channel d.m.a. Four serial ports standard, eight optional. **WW534**

Immediate Business Systems Fieldwork 50: battery-powered portable, suitable for harsh environments. Bubble memory option. **WW535**

Integrated Micro Products IMP-68: multi-user operating system, C compiler, Pascal compiler, utilities to read and write CP/M, RT-11 and UNIX discs. Up to 1MB ram with parity-checking; S100 i/o

and on-board i/o can be mapped to any 64K block; d.m.a. Maximum of ten serial ports. Cartridge tape back-up available. Requires keyboard. **WW536**

ITCS: range of five machines including three portables (with c.r.t. and disc drives). **Andromeda Alfa-D3:** parity checking in memory (expandable to 128K), d.m.a. Expansion bus slots. Takes up to four RS232, four IEEE-488 and four Centronics ports. **Andromeda Zita-E4** portable: teletext character set, CP/M. Optional RS422 network interface and modem, colour graphics terminal, Winchester disc. **WW537**

Iotec 64CD: full Z80 bus on 50-way connector plus additional select signals for use with rom/ram expansion and memory management. 64 colour shades. Supports Teletext graphics. Wide range of other machines available. **WW538**

Jarogate MP5 multi-processor system, mixed 8/16-bit. One S100 bus per processor. Multi-user, up to 16 printers. Numerous options include interfaces, tape back-up, slave processors, hi-res. colour graphics, Ethernet, Viewdata, telex, mainframe links. Requires keyboard. **WW539**

Jupiter Ace: the only home microcomputer to have Forth as its standard language. Reverse polish notation. Expandable to 51K ram. Relatively little software. The manufacturer called in a receiver at the beginning of November, but machines may still be on sale. **WW540**

Kemitron K2000E technical microcomputer for industrial and scientific uses: many measurement and control interfaces available, including 12-bit analogues, six-channel RS232 boards. Keyboard required. **KM3000** is similar, but with 8in discs instead of mini-floppies. Two programmable RS232 ports as standard. Programmable four-channel counter-timer. **WW541**

LSI Octopus: business computer with wider applications. Up to 32K eprom, two RS232 ports, disc interface with d.m.a., quick-connect expansion boards. Options include 8087 maths co-processor, graphics board, four more RS232 ports, one RS422, modem board, networking, bus expansion, Winchester disc interface with d.m.a. **WW542**

Leenshire VCT6910: two RS232 ports, four parallel ports, up to 48K eprom. User-programmable screen formats; 64 foreground, 64 background colours. One of a range of colour terminals. **WW543**

Logica VTS Vitesse personal computer: CP/M-86, MS-DOS, BOS. Languages available include Pascal, Fortran and Cobol. 64K ram is expandable to 512K and shortly to 1MB. Removable Winchester cartridge back-up and colour graphics card also promised. **WW544**

Mattel Aquarius: cartridge port. Mainly for games. No editing facilities. 4K ram expansion and printer available. Soon to be marketed directly by its makers, Radofin. **WW545**

Memotech MTX series: ram expandable to 512K; up to two expansions (ram or communications) can be fitted internally; joystick and cartridge ports; separate numeric pad on keyboard; node/ring networking possible; assembler/disassembler included, Forth and Pascal available as rom extensions. Two RS232 ports on optional communications board. Floppy disc and hard disc expansions use CP/M 2.2 o.s. Also **MTX512** with 64K ram at £274. **WW546**

Micronix MX range: CP/M system, ram expandable to 128K. Two RS232 ports, two parallel; buffered bus. Hard-disc subsystem available. Keyboard required. Four models; single-board available separately. **WW547**

Modcomp Zorba 2000 series: transportables with 9-inch screen. Can read and write a variety of disc formats. **Model 16** has 8- and 16-bit processors. **WW548**

Modus range of industrial computers. **Tensor:** many control and data acquisition interface boards available. Networking possible. **WW549**

Motorola VME/10: designed for scientific and engineering uses, software development. Various configurations possible. VME bus with additional i/o channel to serve peripherals. **EXORset 100:** for software development. **WW550**

Multitech Microprofessor MPF1 Plus: single-board microcomputer with built-in keyboard and fluorescent display. Full processor bus and 48 i/o lines. Optional Basic and Forth (8K each). Expansions include i/o board, sound and speech synthesiser boards, mini-printer. **WW551**

NEC APC (Advanced personal computer): colour or monochrome with high resolution graphics; 8in disc drives; second RS232 available; optional communications facilities. Range also includes some 8-bit models, including the **PC-8201** (£475), a portable similar to the Tandy 100 but with 16K ram. **WW552**

Newbrain: was almost adopted as the BBC microcomputer. Two serial ports, one parallel; two cassette interfaces; optional built-in fluorescent display. Full screen editing. Following the recent demise of Grundy Business Systems, the Dutch distributor Tradecom has taken responsibility for the Newbrain and it will now be distributed in the U.K. by Brainwave Software. **WW553**

Oric Oric-1: moving keys, eight-octave sound generator, teletext display mode; add-ons include colour plotter, 3in disc drives, communications modem. Forth available. Also a 48K model. Cassette interface operates at "super reliable 300 baud or reliable super fast 2400 baud"! **WW554**

Osborne Executive: portable with 7 inch screen, can read/write numerous other disc formats. Also Osborne 01 at £1495. U.S. parent went into bankruptcy in October; but stocks are still available from Osborne (UK). **WW555**

continued on page 73

THE NEW MPF1 PLUS...



THE LOWEST COST Z80 SINGLE BOARD COMPUTER AVAILABLE WITH ALL THESE FEATURES!

BUILT-IN ASSEMBLER

The MPF1 PLUS incorporates the Z80 - the most widely used 8-bit microprocessor in the world, to form a Single Board Computer (SBC). Packed in a plastic bookcase together with three comprehensive manuals and power supply (to BS365 I standard), the MPF1 PLUS is a microprocessor learning tool for every application.

Teaching you in a step-by-step method the MPF1 PLUS helps the user fully understand the Software and Hardware of a microprocessor easily and conveniently - as opposed to micro-computers that aim to teach high-level languages instead of microprocessor systems fundamentals.

Not only is the MPF1 PLUS a teaching tool but with the available accessories it can also be used as a low-cost development tool or simply for OEMs.

FLIGHT Electronics Ltd.

Quayside Rd, Southampton, Hants SO2 4AD. Telex 477793. Tel. (0703) 34003/27721. Micro-Professor is a trade mark of Multitech Industrial Corporation. Z80 is a trade mark of Zilog Inc.

THE MPF1 PLUS

Just look at the specification:-

Technical Specification

- CPU:** Z80A - 158 instructions
Software:
 ● Z80/8080/8085 machine code
 ● Z80 Assembler, line and 2 pass.
 ● 8K BASIC interpreter (Extra)
 ● 8K FORTH (Extra)
ROM: 8K Monitor (full listing and comments)
RAM: 4K CMOS (2 x 6116)
Input/Output: 48 system I/O lines
Speaker: 2.25" coned linear
Display: 20 character 14 segment green phosphorescent
Expansion:
 ● Socket for 8K ROM
 ● Cassette interface
 ● Connectors 40 way, complete CPU bus
Keyboard: 49 key. Full "QWERTY" real movement good tactile feedback
Batteries: 4 x U11 for memory back-up (batteries not included)
Serial Interface: 165 baud for read/write via audio cassette

Manuals

1. User's Manual. 8 chapters.
 1. Overview and Installation.
 2. Specification (hardware and software).
 3. Description of Operation.
 4. Operating the MPF-1 Plus.
 5. 44 Useful Sub-Routines.
6. The Text Editor.
7. Assembler and Disassembler.
8. System Hardware Configuration.
2. Experiment Manual. 16 experiments.
3. Monitor Program Source Listing with full commenting.
4. Also available the MPF-1 Plus Student Work Book (self-learning text).

Accessories

- **PRT-MPF-1P:** 20 character printer. Ready to plug in. Memory dump.
- **EPB-MPF-1P:** Copy/list/verify 1K/2K/4K/8K ROMS. Ready to plug in.
- **SSB-MPF-1P:** Speech Synthesizer. Inc. 20 words and clock program. 1200 words available.
- **SGB-MPF-1P:** Sound Synthesizer Board.
- **I/O - MPF-1P:** Input/output board

Yes! I now realise that I need an MPF1 PLUS and that it is the lowest cost Z80 SBC available with all these features.

I enclose £165.00 (£140.00 + £21 VAT plus £4 carriage). Overseas P.O.A.

Cheques payable to FLIGHT ELECTRONICS LTD.

Please debit my Barclaycard/Access Account No. _____

An invoice will automatically be sent.

Name _____

Address _____

Signature _____

Date _____

WW - 061 FOR FURTHER DETAILS



WESSEX MICROCOMPUTERS COMPLETE DEVELOPMENT AND CONTROLLER TARGET SYSTEM

The Wessex Wyvern system for development and turnkey systems ranging from industrial control to point-of-sales applications.

THE BASIC DEVELOPMENT SYSTEM:

- WSX1000**..... £95
Qwerty keyboard, power supply and u.h.f. modulator for WSX1001 development. Housed and including connector cable and peripheral sockets.
- WSX1001**..... £195
6809E based double eurocard module comprising the following:
16k Microsoft colour basic, 32k RAM.
Memory expansion for up to four 28 pin devices (RAM, ROM or EPROM) plus up to 4 disc drives.
Monitor and page mode logic to manage the memory expansion.
16 I/O lines.
Composite sync video output.
Cassette interface, Centronics printer port.
4 multiplexed A/D channels, single D/A channel.
Facility for two 96 way DIN 41612 connectors.
Breakout connector to WSX1000, usable as I/O by a target system.

ADD A LOW COST T.V. to the above modules and you have what we believe to be the most cost effective development system on the market.

- WSX1001-xx**..... from £35
Low cost target modules. These are subsets of the WSX1001. In addition to a standard set of options, any reasonable customisation is possible.

THE FOLLOWING ITEMS EXPAND THE BASIC SYSTEM:

- WSX1002**..... from £75
Power supply plus u.h.f. modulator for target systems.
- WSX1003**..... £195
I/O Terminus board for instrumentation control, monitoring and audible measurement/alarm generation comprising the following:
IEEE-488 full controller.
RS232 DTE channel using MC6850.
64 I/O lines plus control.
Real time clock.
Speech synthesizer.
Documentation and software drivers.
- WSX1004**..... £275
Single disc drive plus controller for up to 4 drives plus basic DOS.
1005..... £175
- WSX1005**
128k universal RAM board with patchable DIN connector to suit many systems.
- WSX1006**..... £95
In line IEEE-488 to RS232 adaptor.
- WSX1007**..... £95
VME adaptor board with master-slave options.
- WSX2000**..... £150
CP/M IEEE-488 protocol simulator.
- WSX2001**..... Publication in new year
Text applications book "The Universal Interface".

Items 1001-5 are available as euro sub-rack mountable boards/modules or as free standing, cased units.

SOFTWARE SUPPORT:

First, relocatable machine code from a number of sources will run on the Wyvern system.
Secondly, the basic interpreter in the Wyvern is directly compatible with Dragon 32 software, and via a loader with Tandy colour machine software.
Hundreds of control, compiler, financial and games packages are therefore available from dozens of distributors.
Wessex Microcomputers is committed to a continuing programme of software development and this is being built into a library of linkable modules.

HARDWARE SUPPORT:

Wessex Microcomputers Uniquard range of products are available to support system builders, for example:

- p.t.h. dynamic and byte-wide memory p.c.b.s..... £10.90
short 3U backplanes and motherboards..... £4.90
double eurocard p.t.h. matrix board..... £21.60
(for c.p.u. development)
full length 3U & 6U backplanes..... from £14.50
(with power rails and mounting flanges)

For complete details and applications brochure contact:

WESSEX MICROCOMPUTERS, NORTHDOWN, CORTON DENHAM
SHERBORNE, DORSET DT9 4LT.
Telephone: Corton Denham (0963) 22402

WW-009 FOR FURTHER DETAILS

Put a friendly face on your S-100 computer

with the 'Vivid' S-100 video interface board



The 'Vivid' video interface board - £249 each + P&P + VAT. Dealer and O.E.M. enquiries invited.
Also available:
The 'Byte bank 1' 16/48K non-volatile static memory board and the Adsum 4-slot S-100 back plane.

TELEPHONE NOW FOR DETAILS

adsum

ADSUM LIMITED
Wickham Road, Fareham
Hants PO17 7JB
Telephone: (0329) 233244
Telex: 869408 ADSUM

WW - 046 FOR FURTHER DETAILS

Happy Memories

Part type	1 off	25-99	100 up
4116 200ns.....	1.25	1.15	1.10
4164 200ns.....	4.20	3.95	3.85
2114 200ns Low power.....	1.15	1.00	.90
2114 450ns Low power.....	.95	.85	.80
6116/2016 150ns.....	3.35	3.00	2.85
6116 150ns Lower power.....	4.90	4.40	4.20
2708 450ns.....	3.25	2.95	2.80
2716 450ns 5-volt.....	2.75	2.50	2.40
2716 450ns three-rail.....	5.75	5.00	4.65
2732 450ns Intel type.....	3.45	3.05	2.95
2532 450ns Texas type.....	3.85	3.45	3.30
2764 250ns.....	4.20	3.95	3.75
27128 300ns.....	14.00	12.50	12.00

Z80A-CPU.....£2.99	Z80A-PIO.....£2.99	Z80A-CTC.....£2.99
6522 PIA.....£3.70	7805 reg. £0.50	7812 reg.....£0.50

Low-profile IC sockets:	Pins	8	14	16	18	20	22	24	28	40
Texas solder-tail:	Pence	12	13	14	16	18	22	24	27	38

Soft-sectored floppy discs per 10 in plastic library case:		
5-inch SSSD £17.00	5-inch SSDD £19.25	5-inch DSDD £21.00
	5-inch DSQD £26.35	
8-inch SSSD £19.25	8-inch SSDD £23.65	8-inch DSDD £25.50

74LS Series TTL: Large stocks at low prices with D.I.Y. discounts starting at a mix of just 25 pieces. Write or phone for list.

Please add 50p post and packing to orders under £15 and V.A.T. to total
Access and Visa welcome: 24-hour phone service on 054-422 618
Government and Educational orders welcome: £15 minimum
Trade accounts operated - phone or write for details

HAPPY MEMORIES (WW)
Gladestry, Kington
Herefordshire HR5 3NY
Tel: (054 422) 618 or 628

Philips P3500: mainly for the office, but software is available for manufacturing control etc. Launched as an 8-bit multi-user, multi processor system but 16 bit upgrades are to follow. **WW556**

Phoenix Stratos CP/M business computer with 8in disc drives. D.m.a. **WW557**

Plessey System 19, PC-16: networking personal computer. User ram expandable to 512K; two RS232 ports; d.m.a.; optional colour display, hard discs. The company also offers a range of fast minicomputers for real-time control applications. **WW558**

Powertran Cortex kit: also available ready-built (no relation to C/WP Cortex). Powerful Basic for scientific and other applications: 48-bit floating-point arithmetic, 11-digit accuracy. Separate 16K screen memory. Machine-code monitor, assembler, disassembler all included. Buffered printer port. Supports up to 16 output devices. **WW559**

Portico Miracle: CP/M portable with 10in screen and two disc drives. D.m.a. Five expansion slots, two RS232 ports plus optional RS422; optional hard disc interface. **WW560**

Positron 900: boxed single-board computer; memory expansion up to 256K. Also in single-board form. 9000 series: for science, education, engineering as well as business. Can execute multiple concurrent tasks. Fully buffered address, data and control bus. **WW561**

Rediffusion Teleputer 3: business machine with modem and autodialler for Viewdata etc.; PSS, networking. **WW562**

Research Machines Link 480Z: parallel port, two RS232, optional network interface. Also disc-based RML 380Z, with IEEE-488 interface at about £1900; 8in discs optional. Both machines bought by secondary schools through the Government's microelectronics education programme. Available software is mostly educational. **WW563**

Rockwell AIM 65: 44-pin expansion connector accepts five-slot mother-board for disc controller, extra memory etc. Applications connector for i/o, analogue, cassette interfacing. Also available unboxed. AIM 65/40 is an advanced version with improved keyboard and graphics printer and display. Many expansion modules available for i/o, communications, distributed processing. **WW564**

SBC Duet 16 system: choice of keyboards and monitors. Two-channel RS232. Hard discs on the way. **WW565**

Semi-Tech Pied Piper: portable computer with built-in 800K disc drive. STD-bus expansion port for engineering applications. Hard disc and telephone modem options. **WW566**

Seed System 19: for small businesses, education, research. Dual disc system, hard disc interface. Pascal and C available. Sev-

eral add-on boards, including i/o, serial, analogue, timer, memory expansions. Also a wire-wrap board for prototyping. **WW567**

Sharp MZ700: optional cassette recorder and plotter-printer fit directly into housing. Joystick ports, twin cassette ports. **WW568**

Sinclair ZX81: the cheapest home computer. Optional 16K ram pack and small, cheap thermal printer. Many add-ons available from other manufacturers, even a rom word-processor. Powerful but awkward to use. ZX Spectrum: 48K version also available. Physically small. Add-ons include thermal printer, expansion modules for tape-loop microdrives, rom cartridge port, joysticks. Large amount of software on cassette, mostly for games. **WW569**

Sirton Midas MPS: multi-user system with distributed processing for scientific, technical applications. Storage on 8in or hard discs. Single cable 800kbit/s data link, 1000ft max. Several languages available. **WW570**

Sord M223/III: uses Sord's 'Pips' languages. Various versions available with a choice of disc drives. Many interface boards for measurement and control applications. Range includes several other models suitable for engineering including M416 16-bit machine. Unusual applications include computer video tape editing. All machines supported by 'Indomitable Energy generated by Great Reliance on "Youth" and "Passion" ' (sic). The Sord M5 home computer is also available from Computer Games Ltd as the CGL M5. **WW571**

Stirling Microsystems Dennis Microsystem: modular rack-mounted 6809 system for control applications, scientific, industrial users, hobbyists etc. Optional hi-res. colour graphics, disc controller, ram, p.i.o. boards and some software. Basic system with c.p.u., video and ram boards plus monitor software costs £158: keyboard, p.s.u., rack etc. bring it up to £430, or you could shop around. Interesting possibilities for expansion. **WW572**

SWTP F/09 system (made in the UK) and S/09 (from the USA). Modular 6809 systems available in a variety of configurations. Languages include Fortran, Pascal, Pilot and Forth. **WW573**

Tandy. Many models, from which we have picked some of the most recent. MC10 portable. Moving keys, but display is upper-case only. Ram expandable to 20K. The Pocket Computer at £44 has mini-printer and cassette options but no other interfacing possibilities. TRS-80 Colour Computer: cartridge port; ram, disc, printer expansions available. TRS-80 model 100 portable: mainly for business uses, with word-processor and desk diary programs in rom as well as MS-Basic. Telecomms interface included, with software: requires an acoustic coupler. TRS-80 model 4: desk-top machine, also available without discs at £651. Keyboard not detachable. TRS-80 model 12: desk-top machine, upgradable to 16-bit. D.m.a. **WW581**

Torch 700 series: triple processor arrangement gives access to UNIX and CP/M software. A 6502 handles peripherals and disc caching. Torchnet. Torch C: first micro with British Telecom approval. Built-in modem, LAN and TOSCA synchronous communications, hard disc option. **WW578**

Transam Tuscan: twin disc drives, separate numeric key-cluster. Univos operating system can read discs in more than 30 formats. Also as a kit. **WW579**

Triumph Adler Alphatronic PC: for small business, 'up-market' (sic) hobbyist use. Separate numeric key cluster, rom cartridge port. Floppy disc add-on (£330) comes with CP/M 2.2. Three other models, mainly for office use. **WW580**

Tycom Microframe: versatile modular system using 'base-bus-connect' construction; described by maker as the first "future-proof" micro. Can use 8, 16, 32-bit processors. Expansions for text and graphics, peripherals. Supports d.m.a., interrupt-driven devices. **WW581**

Videcom Apollo: CP/M micro offering Basic, Cobol and Fortran. Three RS232 ports. **WW582**

Wessex Wyvern series of controllers: details are for WSX1000 + WSX1001 system, which has 16 i/o lines with handshake, four multiplexed a-to-d channels and one d-to-a. Many expansion modules available for measurement and control, even a speech synthesiser. Modules may be racked or free-standing. VME backplane available soon. Basic interpreter is compatible with software for the Dragon 32 and (via a loader) the Tandy Colour Computer. **WW583**

Windrush 6800, 6809 microcomputers: rack-mounted systems with a wide range of optional expansion modules - including an eprom programmer, maths chip, ram backup, i/o lines, speech synthesiser. Price quoted excludes keyboard and display. Other models available. **WW584**

Zenith Z100: desk top computer with a five-slot expansion chassis and d.m.a. Hard-disc and colour versions available. **WW585**

Dual disc version also available. TRS-80 model 16: multi-user possibilities with TRS-XENIX operating system. D.m.a. **WW574**

Tashkl OM 8064: CP/M system with separate 8-slot expansion module. **WW575**

TeleVideo TS1603: two RS232 ports, one high-speed RS422 for networking. Memory expansion and graphics options. Other versions available. **WW576**

Texas Instruments T199/4A: the cheapest 16 bit computer. Ports for joystick and rom cartridge. Optional eight-slot peripheral expansion for disc-drive, memory extra memory etc. Languages include Forth and UCSD-Pascal. Manufacturer has decided to cease production of this machine and to cut the price to clear stocks. Service facilities are to continue. **WW577**

Torch 700 series: triple processor arrangement gives access to UNIX and CP/M software. A 6502 handles peripherals and disc caching. Torchnet. Torch C: first micro with British Telecom approval. Built-in modem, LAN and TOSCA synchronous communications, hard disc option. **WW578**

Transam Tuscan: twin disc drives, separate numeric key-cluster. Univos operating system can read discs in more than 30 formats. Also as a kit. **WW579**

Triumph Adler Alphatronic PC: for small business, 'up-market' (sic) hobbyist use. Separate numeric key cluster, rom cartridge port. Floppy disc add-on (£330) comes with CP/M 2.2. Three other models, mainly for office use. **WW580**

Tycom Microframe: versatile modular system using 'base-bus-connect' construction; described by maker as the first "future-proof" micro. Can use 8, 16, 32-bit processors. Expansions for text and graphics, peripherals. Supports d.m.a., interrupt-driven devices. **WW581**

Videcom Apollo: CP/M micro offering Basic, Cobol and Fortran. Three RS232 ports. **WW582**

Wessex Wyvern series of controllers: details are for WSX1000 + WSX1001 system, which has 16 i/o lines with handshake, four multiplexed a-to-d channels and one d-to-a. Many expansion modules available for measurement and control, even a speech synthesiser. Modules may be racked or free-standing. VME backplane available soon. Basic interpreter is compatible with software for the Dragon 32 and (via a loader) the Tandy Colour Computer. **WW583**

Windrush 6800, 6809 microcomputers: rack-mounted systems with a wide range of optional expansion modules - including an eprom programmer, maths chip, ram backup, i/o lines, speech synthesiser. Price quoted excludes keyboard and display. Other models available. **WW584**

Zenith Z100: desk top computer with a five-slot expansion chassis and d.m.a. Hard-disc and colour versions available. **WW585**

Improving colour television decoding

Viewing pictures over extended periods, it is apparent that different methods of decoding are suited to different types of picture. A simple one-line comb filter decoder that can be applied to a home tv receiver is described in this series.

In the present colour television systems luminance and chrominance information shares the spectral space available within band limits set by international agreement. On receivers decoding PAL or NTSC signals and using a common notch, the picture is degraded by residual subcarrier, seen as moving dots on vertical coloured edges (cross luminance), and by spurious colours produced by luminance components being demodulated as chrominance (cross colour). These system imperfections are detailed and ways of reducing their visual effect suggested, together with a procedure for obtaining wider luminance bandwidth by removing the luminance channel notch filter.

The first part shows spectral energy distribution of the composite PAL signal, the quadrature colour subcarrier phase relationships across adjacent line, field and picture periods, and alternative methods of decoding that enhance some performance parameters to the disadvantage of others. Viewing pictures over extended periods, it is apparent that the different methods of decoding are suited to different types of pictures.

The parameters of the PAL system will establish themselves in the following text, but an understanding of the basic television waveform is assumed.

To decode using a comb filter, which relies on the spectral distribution, luminance and chrominance relationships must be established. Figure 1 illustrates the spectrum of a video signal operating on PAL standard video while Fig. 2 shows the luminance components of the scene and shows how the periodic scanning system produces frequency interleaving. The diagram explains the N_{FL} structure (integers of line frequency). Fig. 3 shows the U (weighted B-Y) chrominance spectrum with a note explaining f_{sc} (colour subcarrier) derivation. In this diagram the frequency of the subcarrier used is $(284 - 1/4) \times 15.625\text{kHz}$, and forms the centre for the new chrominance spectrum sidebands, which decay in amplitude as shown and repeat either side of the subcarrier frequency at 15.625kHz spacings — but always offset by one-quarter of line frequency lower than the line spectral luminance centres.

Fig. 3 shows that the groups of energy

forming the V (weighted R-Y) spectrum would overlay the U-chrominance but for the PAL (squarewave) 7.8kHz squarewave which is added in the V-chrominance mod-

by David Read
B.Sc.(Hons), M.I.E.E.

ulator in the PAL coder. The spectrum is thus shifted by $\pm 1/2$ the line frequency, Fig. 4. Combining the spectral diagrams of Y, U and V with the aid of vectors, Fig. 5(a) provides a representation of V-axis switching, show in Fig. 5(b). This would represent an adjacent line in the field compared with the line in Fig. 5(a), where the V-axis has been switched to the opposite direction. To understand how these spectral diagrams are derived and to assess some of the decoding techniques it is worthwhile explaining the PAL encoder of Fig. 6.

PAL encoding

Incoming signals representing the red, green and blue primary colour components of the scene (R,G,B) containing frequencies up to 5.5MHz are first repositioned by a resistive matrix (inverting amplifiers provide the negative contributions). The resulting signals are a luminance Y signal (black and white scene detail) and two colour difference signals B-Y and R-Y. After amplitude weighting these components become the U and V signals where $U=0.493(B-Y)$ and $V=0.877(R-Y)$. This re-arrangement is required to produce a transmittable PAL waveform and is not directly concerned with the process of decoding to be discussed.

The colour difference signals from the

Fig. 1. This video signal (a) is from the PAL encoder with 100% colour bars. With vertical chroma bars there is no change in chroma line-by-line and the waveform provides a steady pattern of chroma sidebands, which decay in amplitude as shown and repeat either side of the subcarrier frequency at 15.625kHz spacings — but always offset by one-quarter of line frequency lower than the line spectral luminance centres. Bottom shows both U and V chroma modulation with the sidebands interleaving for 100% bars (d).

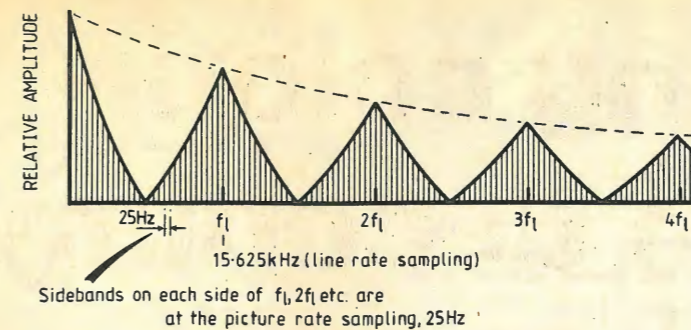
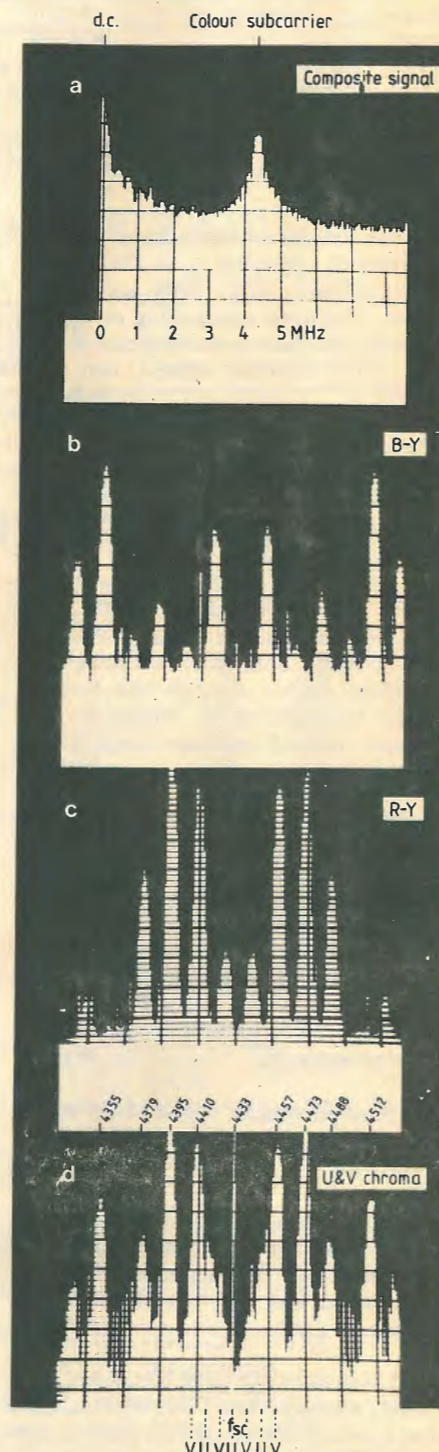


Fig. 2. Spectrum of luminance component of a television signal with 15.625kHz sequential scanning of a stationary picture. Scene is sampled at 15.625kHz for 625 lines and 25 pictures per second are constructed. The spectral energy centres are therefore at line frequency f_L and at $2f_L, 3f_L$, etc. Spacing of sidebands about the multiples of f_L is 25Hz , which is the picture rate.

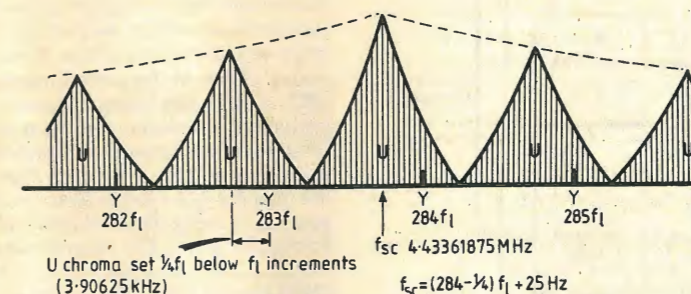


Fig. 3. U chrominance signal spectrum (also representing the V spectrum, except for the V-axis switching). The 25Hz can be ignored because only line-frequency harmonics around $284f_L$ are considered, where the phase shift is negligible. Colour subcarrier (f_{sc}) of 4.43MHz carrying the difference signal is derived as $f_{sc} = (284 - 1/4) \times 15.625\text{kHz} + 25\text{Hz}$. As 25Hz is very small compared to $(284 - 1/4) \times f_L$ it is ignored. Note the U-spectrum is symmetrical about f_{sc} . Therefore as the modulator carrier is high ($2f_{sc} = 8.866\text{MHz}$) and causes spectrum reversal, the PAL modifier has no effect on the U vectors.

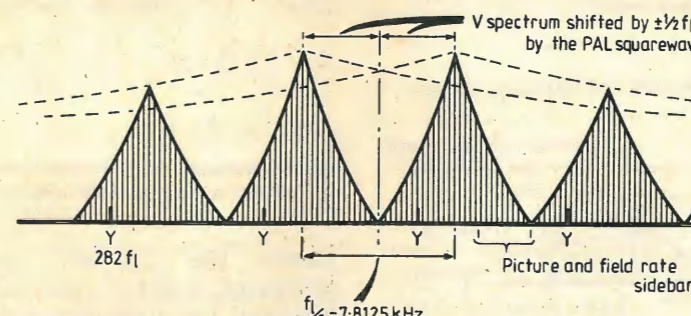


Fig. 4. V-axis spectral energy groups are alternatively reversed about the centre of subcarrier frequency at half the line frequency (7.8kHz).

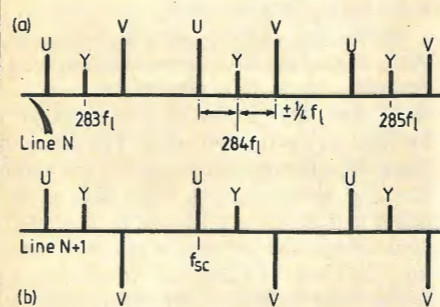


Fig. 5. Y, U and V spectra combined and simplified. Bringing these U and V spectrum diagrams together, but simplifying them by not showing the decaying picture-rate sidebands, results in (a). U has a quarter-line offset (low) with respect to the Y signal spaced at multiples of line frequency. V has a quarter-line offset above the multiples of line frequency. Note, there is no spectral peak component dominant at the half line frequencies.

matrix are filtered, Fig. 7, and applied to separate modulators together with feeds of colour subcarrier in quadrature. In addition the V demodulator has its subcarrier switched on alternate lines at 7.8kHz (the PAL squarewave or vertical axis switch). The luminance channel is delayed to match delays in the chroma low-pass filters and modulator. Also syncs are added and an amplitude preset is provided. The three signals, Y and modulated U and V, are then summed and the final output of the encoder filtered to 5.5MHz . This low-pass filter, defining the luminance bandwidth, cuts some of the upper sideband energy from the chrominance modulators, as well as $2f_{sc}$ and $3f_{sc}$ products. The final output is shown in Fig. 8.

Subcarrier phase relationships across lines, fields and pictures

The subcarrier phase relationships over four adjacent lines of a television field, Fig. 9, show that lines N and N+2 cancel, whereas the luminance components which are predominantly in-phase across the lines (vertically) add. Equally, taking the difference of the same two lines, the chrominance augments and the luminance components largely cancel. This is one method of decoding. The summing action incidentally results in a 3dB noise reduction.

Fig. 10 shows line N as before but the next trace down shows line N emerging from a delay line 56ns (i.e. 90° of the subcarrier) short of the $64\mu\text{s}$ one-line period. Because of this difference, line N emerges a quarter of a line early with respect to line N+1. Thus, the chrominance sinewaves from line N+1 and the signal from the delay line are antiphase, and adding them causes chroma cancellation. Operating across adjacent lines in a field is better than operating across two lines as shown in Fig. 9 because vertical resolution loss is visibly less on pictures.

As PAL encoding involves quadrature modulation of the subcarrier such that the U components cancel and the switched quadrature V components add, it is better to draw the two vectors representing the quadrature modulation in the form shown in Fig. 11(a). This diagram shows another decoding technique in which line N, N+2 and N+4 are added and subtracted using weighting factors of $1/4, 1/2$ and $1/4$ to enhance either the chrominance or luminance components. A circuit using this technique was built and the block diagram explaining this arrangement is the lower part of Fig. 11(b). Fig. 11(c) gives a mathematical derivation for the output of $1/4 - 1/2 + 1/4$ adder, indicating the shape of the comb filter response.

This method involves decoding over five adjacent lines in each field. But this represents ten lines per picture, so the vertical resolution is much impaired, with diagonal luminance errors and horizontal colour changes producing strange effects on pictures.

The right-hand part of Fig. 11(a) shows the signal in vector form when a chroma-length delay is used. Chroma-length delay is the delay of one television line ($64\mu\text{s}$) minus the quarter-line offset (56.39ns), equivalent to 283.5 cycles of f_{sc} with this

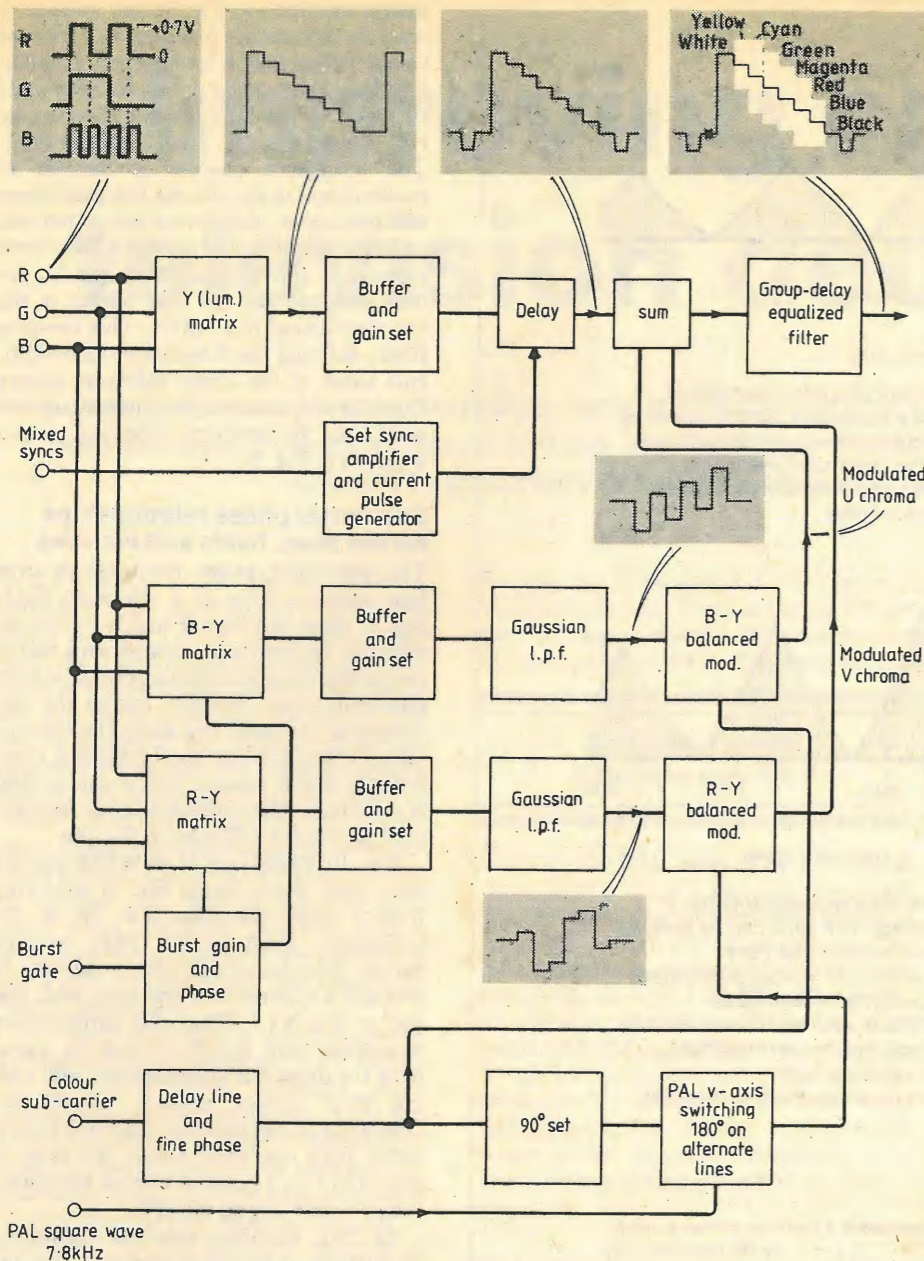


Fig. 6. Block diagram of PAL encoder illustrates waveforms for input of 100% colour bars.

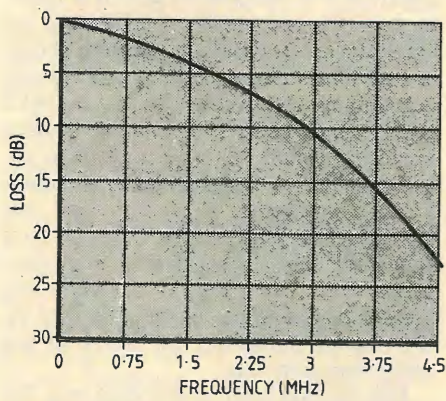


Fig. 7. Characteristics of the filters used in front of R-Y and B-Y modulators in the PAL encoder. These are linear-phase Gaussian filters with 3dB loss at 1.3MHz.

delay, the 90° rotation (56ns) does not have to be considered; the V-axis signal phase being simply reversed on alternate lines as before. Addition and subtraction of adjacent lines either enhances the V or the U signal but it does not produce cancellation of the predominant vertical luminance be-

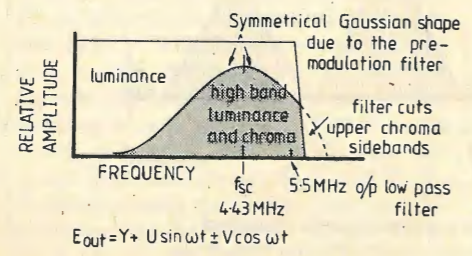


Fig. 8. PAL encoder output signal showing the shaping y chrome pre-modulator filters and the output filter. Output signal is as shown, where Y is the luminance component, $U \sin \omega t$ is the B-Y colour component, and $V \cos \omega t$ is the R-Y colour component both modulated onto the 4.43MHz subcarrier. The \cos term shows quadrature phase relationship between U and V. \pm indicates the alternating V axis.

cause the picture points are not aligned vertically, being horizontally staggered by 56ns. This technique can therefore be used in the chroma circuit (56ns is small in terms of chroma resolution) and three lines are combined in the amplitude ratio 1/4:1/2:1/4 for enhancing both U and V com-

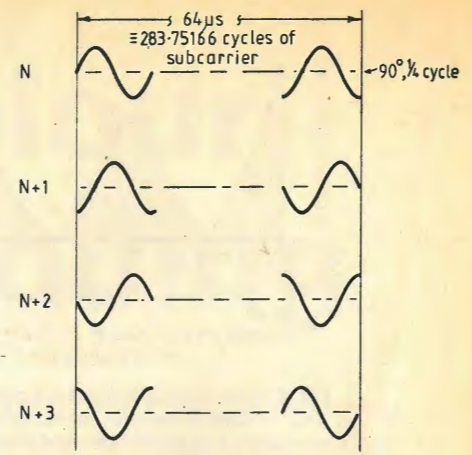


Fig. 9. To simplify explanation four adjacent lines in the field are numbered N, N+1, N+2 and N+3 and considered to contain only continuous unmodulated subcarrier. Top of diagram shows the subcarrier waveform extending from the beginning to the end of line N over the period of 6µs. In this period there are $(283 - 1/4)f_1$ cycles in the line period. The frequency is reduced and there is a 90° difference in subcarrier phase between the beginning and the end of the line. During the next N+1 line the subcarrier continues, again with a quarter-cycle reduction ending 90° short. The diagram shows that lines N+2 and N+3 are similarly built up. (25Hz term in the f_{sc} derivation is so small considering phase shift between adjacent lines that it has been ignored).

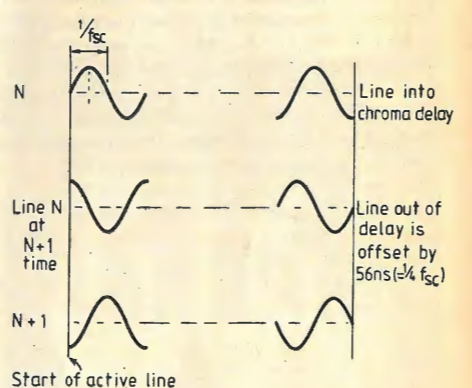


Fig. 10. Adjacent lines from one tv field with a chroma delay (64µs-54ns) used.

ponents. Fig. 12(a) which shows the oscilloscope display of a horizontal colour bar signal indicating reduced horizontal resolution; and (b) is a colour picture with only chroma present (see also colour print 1, to follow). The chroma comb filter reduces the amount of luminance that enters the two chroma demodulators, and so reduces the fine cross-colour i.e. luminance at 4.43MHz by a half (6dB).

When the chroma length delays are used, signals subtract across adjacent lines. Spatially, there is a vertical shift in the scene, but there is also an horizontal shift by 56ns (113ns for two lines). The result of using 64µs delays and arranging the comb filters to operate across three lines to enhance luminance are shown in Fig.12(c). This shows that chroma is removed well, but the loss of diagonal luminance is visible with some pictures. To obtain signals relating to positions on the screen that are spatially coincident, they must be

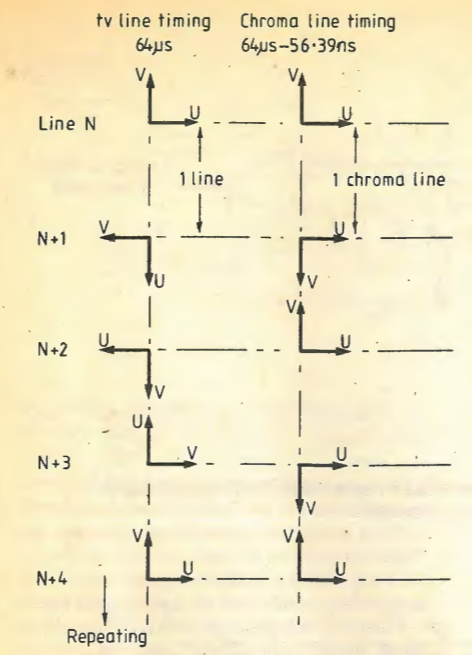


Fig. 11(a). Change in U and V vectors considering adjacent lines in one field. This diagram shows U and V phase relationships on lines N, N+1, N+2, N+3 etc. Starting arbitrarily on line N and V (representing the R-Y modulated chroma in vector form) drawn vertically and U (B-Y chroma) horizontally to the right. One tv line later on line N+1, left side of diagram, the U-signal rotates by 90° because of the quarter-cycle f_{sc} offset. U-signal is now vertically down. V-signal phase has reversed because of the PAL switch and has also rotated clockwise by 90° because of quarter-cycle offset. V-vector is now to the left. One line later, N+2, U will rotate clockwise by 90° because of quarter-cycle offset. V-phase has again reversed and rotated by 90° (quarter-cycle offset). Vectors are now as shown on the third line down. In the same way, the diagram builds up lines N+3 and N+4 phase relationships.

taken from adjacent pictures (two fields apart). To illustrate this, Fig. 13 shows the U and V chrominance phase relationships over an eight-field period (i.e. a complete change of the subcarrier phase-to-line relationship).

Notice that Fig.13(a) shows the recommended U and V quadrature modulated in the coder and burst phase relationships to the line timing as defined by the E B U, but to simplify explanation, subsequent diagrams do not adhere strictly to this definition.

Luminance and chrominance enhancement across field or picture

In considering timing relationships which compare adjacent lines, the 25Hz term in the subcarrier expression has been ignored. But when shifting 625 lines between the same spatial points in adjacent pictures which represent 40ms time shift the 25Hz term is significant and is included in the calculation in Fig.13(b). Adding picture 1 (P₁) and picture 3 (P₃) causes the chrominance to cancel and the

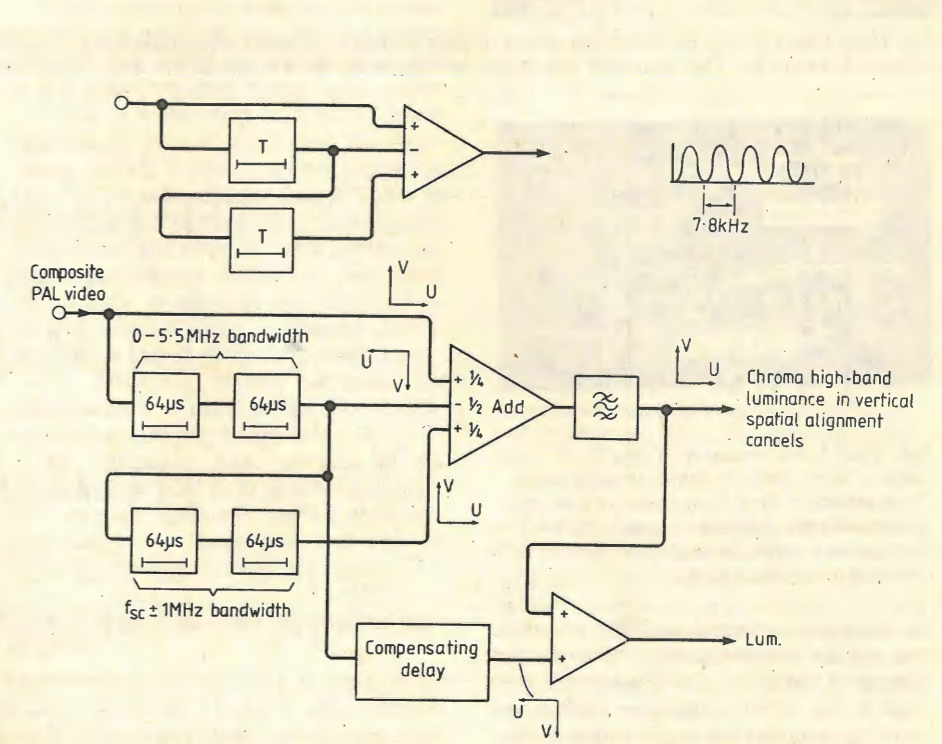
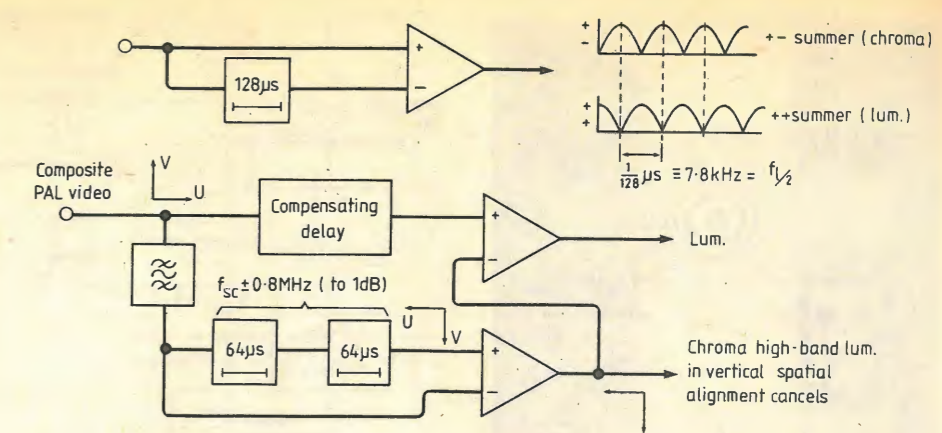


Fig. 11(b). Block diagram of a filter operating over a three-line period with 1/4:1/2:1/4 contribution from the outer lines (top) or across five lines in the ratio 1/4:1/2:1/4 i.e. lines N, N+2, N+4, (bottom).

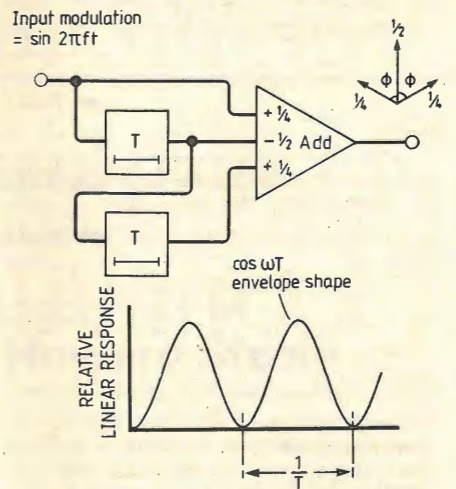


Fig. 11(c). Derivation of comb filter characteristic using algebra and vector diagram. Output is vector sum of the three contributions. Phase angle ($\phi = 2\pi fT$) swings between 0° and 180° as the modulation, representing the tv signal, swings between 0-5MHz. When $\phi = 0^\circ$ signal doubles, $\phi = 180^\circ$ signal cancels. Output signal is $1/4 \sin \omega t - 1/2 \sin \omega(t+T) + 1/4 \sin \omega(t+2T)$
 Subtract T from each
 $1/4 \sin \omega(t-T) - 1/2 \sin \omega t + 1/4 \sin \omega(t+T)$
 $= 1/2 \sin \omega t + 1/4 (\sin \omega t \cos \omega T - \cos \omega t \sin \omega T)$
 $+ 1/4 (\sin \omega t \cos \omega T + \cos \omega t \sin \omega T)$
 $= 1/2 \sin \omega t + 1/2 \sin \omega t \cos \omega T$
 $= 1/2 \sin \omega t (\cos \omega T + 1)$

luminance to enhance, see the block diagram, part of Fig.13(b).

Because these picture-spaced video signals are exactly overlaid there are no unwanted effects from luminance components at frequencies in the subcarrier region, or at any angular position (i.e. diagonals), such as occur with adjacent line comb decoders. These cause discrepancies

in the chrominance and luminance separation. Decoding across picture delays, luminance and chrominance signals can be separated with more of the individual sidebands combed. There will be no bandwidth limitation as would occur with a notch, and the residual subcarrier in the luminance channel will be even lower as the subcarrier sidebands are taken from

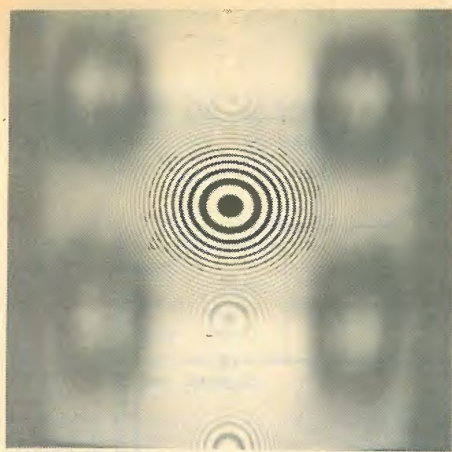


Fig. 12(c). Using a zone plate test signal the display shows luminance combing operating across three lines in one field, illustrating loss of diagonal resolution. The 'returned' resolution within the boxes is inverted, but is not significant on pictures.

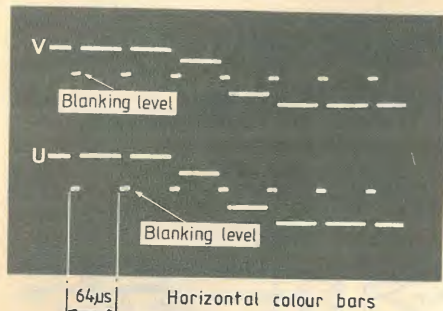


Fig. 12(a). Trace shows R-Y and B-Y outputs from chroma demodulators using three adjacent lines from a field in the ratio 1/4:1/2:1/4. Steps indicate reduced rate of change over a vertical transition from green to magenta, see (b).

the luminance channel at 25Hz intervals (for picture store decoding), which is the spacing of the comb. Comb spacing is derived in Fig. 11(b). Luminance information is therefore preserved in the region of the chrominance band and this will improve fine detail in the displayed picture. Again, the comb does not involve LC filters, as digital filtering field and picture delays are used and there are none of the problems associated with group delay.

Under the special condition of still pictures, picture delay decoding can produce near-perfect results giving no visible cross-colour or cross-luminance. However, as the information combined is taken across two pictures and represents a time shift of 80ms, temporal components representing movement are significant. Even if the components of the scene are themselves stationary, the camera normally 'pans' so that the picture information has positional displacement and the changes result in the decoder not working perfectly. As soon as fast panning of the camera occurs the decoding method becomes unsatisfactory therefore and we must pursue other decoding methods or adaption between line field/picture spaced decoding, because good decoding is only available on slow movement.

The next experimental decoding method makes a compromise between the temporal and spatial factors by use of delays of 312 lines twice, representing one picture of storage. In Fig. 13(a), if lines 622 (end of field 8), 309 (end of field 1) and 621 (end of field 2) were combined in the amplitude

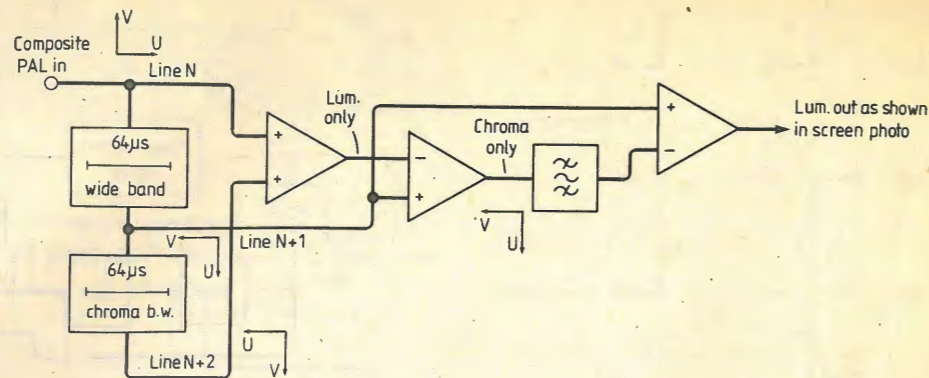


Fig. 13(a). Full eight-field sequence over which the colour subcarrier phase sequence repeats. The pairs of rounded vectors show U/V phases across field and picture intervals. (From EBU statement D22-1979).

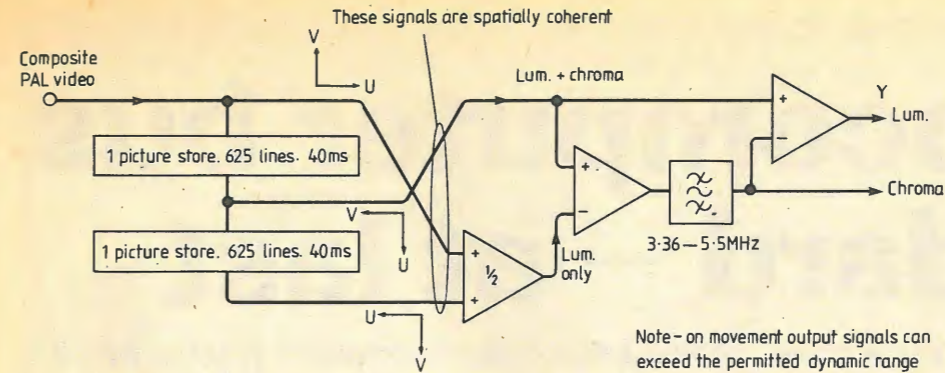


Fig. 13(b). Block diagram of circuit to decode between picture periods. Coded-colour signal components Y, U and V derived from adjacent pictures describing the same spatial point on the display can be decoded as shown. Frequency of the colour subcarrier can be calculated from the expression already shown to give 4.42261875MHz. As field rate is 50Hz and there are two interlaced fields in each picture, the picture rate is evidently 25Hz, or one every 40 ms. By dividing the period of the colour (1/f_{sc} = 225.549389ns) into the picture period we obtain the number of colour subcarrier cycles occurring in one picture. Number of cycles of subcarrier is 40 × 10⁶ / 225.549389 = 177,344.75 cycles per picture. The 0.75 (≅ 270°) indicates three quadrants of phase shift. Phase relationships across picture periods are thus established. Number of cycles in two picture periods (80 ms) is 354,689.5 (≅ 180°).

ratios of 1/4:1/2:1/4 and a sum and difference across the three lines taken, the luminance and chrominance can be combed. Temporal errors are now halved, but because three adjacent lines in each picture are used in comb filtering spatial problems arise that cause diagonal luminance components to enter the chrominance circuits and produce cross-colour. And horizontal or diagonal colour changes prevent the comb from removing colour subcarrier from the luminance, resulting in cross-luminance.

continued from page 34

plifier. Moreover the system has a slight memory, although a rapidly fading one, of its previous experience.

Alternatively, instead of being restricted to high frequency oscillations, much longer delays can be synthesized using charge-coupled delay lines for experimental investigations. The crudest system is the thermostatically-controlled central heating system, and the 'flying' regulator on steam engines which displays a large inertia or reluctance to change.

This analysis of time delay or Markovian systems fits into a wider scheme of knowledge including a realistic modelling of gravitational interactions, de Broglie wave behaviour of electrons in atoms and co-operative phenomena, for example ferro-magnetism, stimulated emission, and nuclear fission.

In a realistic physics the finite time delay interactions are postulated to be mediated by 'field particles', the flux of which obeys

When combing between adjacent lines or adjacent pairs of lines the luminance signal is only losing its vertical resolution in the high frequency energy areas above 3.3MHz. It is therefore difficult to detect the loss of vertical resolution on luminance; in fact it shows up on diagonals, Fig. 12(c). It may appear a simple matter to look across the picture delay for temporal components and subtract, look for the differences detecting movement and then switch back to adjacent line decoding to prevent temporal effects marring the decoding. But in coded PAL the coded subcarrier is a moving pattern on stationary coloured parts of the scene and the detecting methods are not straightforward.

The subcarrier only returns to its original phase after eight fields, Fig. 13(a). This moving subcarrier can be misinterpreted as picture movement and adds to the difficulty of movement detection.

Changing subcarrier frequency by 6.25Hz

If the subcarrier frequency is reduced by 6.25Hz, both the U and V chrominance signals are in antiphase over one picture period, Fig. 14. Comb filtering can be carried out by addition and subtraction across these spatially coincident points. Thus picture decoding is again achieved on still pictures; where movement occurs the im-

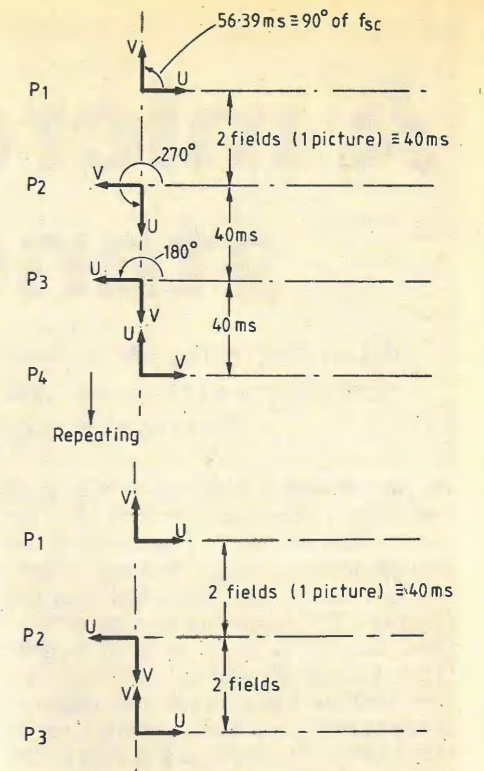


Fig. 14. By raising colour subcarrier by 6.25Hz, perfect decoding of still pictures free of cross-luminance and cross-colour can be obtained using one 625line picture store.

pairments from temporal displacement effects will be halved. The change of subcarrier frequency by 6.25Hz is unlikely to cause mis-operation of the phase-locked loops used for subcarrier regeneration in the receiver because capture ranges are typically greater than 500Hz. It would however be too big a change for broadcasters to accommodate, requiring modification of many items of equipment. Further, although the amount of storage required to obtain a good comb filter decoder is halved, it is still expensive for use in a home receiver.

the geometrical law of intensity 1/r^{d-1} in arbitrary d-dimensions. This is just the beginning and a lot of work needs to be done.

Howard Steele

Howard Steele, television engineer, died on October 11th. After a meteoric rise through a graduate apprenticeship with Marconi, via Alpha Television Studios and ABC Television, he became, at 36 years old, Chief Engineer of the Independent Television Authority and supervised the preparation for the launch of ITA's 625-line colour tv service. He had earlier been involved with colour tv research at the ITA Research establishment and worked on the early development of colour system transcoders. In 1978 he was appointed Managing Director of Sony Broadcast Ltd.

In addition to his working career,

Howard Steele was deeply involved with the Institution of Electrical Engineers and served on several committees and boards. He was also involved in several international institutions including the EBU and the CCIR. He was awarded a special Citation at the 1969 Montreux International television symposium for his work on tv systems and in May this year, the Gold Medal of the Royal Television Society for "outstanding services to television over more than a quarter of a century. His particular contributions included the planning and design of television studios, the introduction of the u.h.f colour service to the ITV network and his role with national and international organisations on the formulation of technical standards".

A microcomputer bus standard — at last

As an electronics engineer faced with developing a microprocessor-based system, which computer databus will you choose? Tim Roberts, managing director of High Technology Electronics, explores the story, development and scope of IEEE696.

by P.T.H. Roberts M.A.

If your answer is S100, you are in good company. Most developments in the microcomputer field — especially 16 bit multiprocessors, direct memory access, cache memory, hard discs, and even the mighty CP/M operating system itself — have become available on S100 systems first. Though not well-known in the UK, the S100 bus has achieved high respectability in the United States, having recently been adopted as an official standard by the influential IEEE, as IEEE696.

At last designers trying to put together 'intelligent' systems will be able to rely on an official S100 standard which will eventually take over from the several variations of the bus that are in widespread use.

S100 has become a *de facto* standard largely because it was the first microprocessor databus in the field. It remains both effective and flexible, giving full scope to experimenters or developers wanting some later up-grade capability, but equally to the builders of top-level high-integrity systems. It has won a large following in the USA and with the emergence of British specialist suppliers of S100 function cards it is finding greater favour with British designers.

The S100 bus came about at the birth of the microcomputer industry as a result of a publishing initiative. When in 1974 the US magazine *Radio Electronics* launched its Mark 8 home computer, *Popular Electronics* responded by commissioning the Altair 8800 from a small company, MITS. In many ways, MITS got it right; the Altair was modular and the computer's functional circuit boards plugged into a 'motherboard', interconnections being made over a group of common lines; that is a databus. The designers obtained a 'job lot' of backplane connectors that had 100 pins. Onto the lines went buffered control, address and data lines from the 8080 microprocessor which had recently been launched by Intel, then a young little-known company.

Inevitably other companies went on to improve on the Altair but they kept the same bus, which became known as the Altair bus, Altair/IMSAI bus, and by various other names. Other entrepreneurs weighed in with bus-compatible add-on expansion, peripherals and full computers. And by then the original bus was widely accepted as a standard so proprietary names were dropped in favour of S100, standing for 'standard 100-pin bus'.

By-and-large the original pin alloca-

tions, though not always ideal, were adhered to but manufacturers lost their conformity when it came to signal timing and application of previously unused lines. When it was suggested to the IEEE that things were getting out of hand and that a formal standard was needed, the IEEE set up a working group. After much consultation with industry, the group — a sub-committee of the microprocessor standards committee — agreed on an enhanced bus which allowed for 16-bit as well as eight-bit processors and memory, and could accept most modern processors. The enhanced bus gained its final seal of approval as a real and usable standard in March this year.

Bus standards

Computers do not have to have buses; many rely on loosely-coupled processors communicating with each other on point-to-point serial links. Such computers cannot be modified or expanded without changing the wiring.

In contrast are the more tightly coupled systems in which several processors share a common bus. The bus may be global, allowing processors to share the available memory and input/output on an arbitrated priority basis. Otherwise a mixture of global and local bus is used; each processor has a local bus with its own block of programmable memory, but the processors are connected globally and organised in a hierarchical fashion.

All microcomputer buses provide a format for the connection of data, address and control lines. Some buses, such as STD, simply provide a pathway between processors and their memory and i/o lines, and have no circuitry interfacing the processor to the backplane. Other buses achieve a higher functional capability with some minimal circuitry; S100, Multibus and Versa/VME are in this class. Higher-level buses still, such as Eurobus, have special chip sets and communication protocols, while the proposed Futurebus may have a microprogrammed subsystem as processor-blackplane interface, providing a high-level fault-tolerant backplane interface, providing a high-level fault-tolerant architecture.

Efforts are being made to roll back the tide of bus anarchy. The Eurocard version of the STD bus (P961), for example, has strong support, but the handful of manufacturers who market a range of STD bus cards on the older card size and using a direct connector have so far provided an effective rearguard opposition. Like S100, STD appeals to the 'keep it simple' school. The signal set is a derivative of the 8080/Z80 class of processors but because of its simplicity it can be difficult to interface other processors such as the 6809 or 6502 to it without penalising them on timing. Most of these problems can be overcome with care.

Multibus (A796) has been plagued by differences of opinion over standards, the IEEE Multibus committee members wanting consistency in nomenclature, but each wanting that consistency to be in line with his own habitual notation. Nevertheless recent progress has been made in this area, and over changes to power supplies, the advanced acknowledge signal, 16-bit addressing techniques, and board sizes. Multibus is an 86-pin format originally developed by Intel for its SBC series of cpu, memory, i/o, communications, high-speed maths and dma control boards. The bus lends itself to multimaster operation with multiplexed processors, dma controllers and disc controllers.

Versabus, born of Motorola's need to accommodate various processors including its own eight-bit (6800), 16-bit (68000) and 32-bit devices, has 260 pins, divided between two edge connectors on large (14.5 by 9.14in) boards. A version of it dedicated to large systems is currently in the standardization procedure within the IEEE as P970. The similar VME bus is better known in Europe because of its DIN connector and Eurocard format, but is not yet in the IEEE standardization mill. Versabus was partly a response to slow progress of the proposed Futurebus in becoming standardized.

One of the best-conceived buses, Eurobus — developed by the Admiralty Surface Weapons Establishment — is little used despite its acceptance by BSI, ISO, and ESONE. Perhaps this is because it was developed for military application and because of controversy over its quick acceptance by BSI. Nevertheless its design has been well funded, its protocols formally verified, and it is the only example of a bus which has a dedicated lsi chip set available for interfacing processors

IEEE696 S100 bus pin list

Pin	Signal	Active level	Description	Pin	Signal	Active level	Description	Pin	Signal	Active level	Description
1	+8V (B)		Average max <1V	43	D ₁₇ (S)	H	Data in bit 7	75	RESET (B)	L o.c.	Reset bus master devices. Active with POC, may be external
2	+16V (B)		Average max. <21 5V	44	OD ₇ (M/S)	H	odd data bit 7	76	pSYNC (M)	H	Identifies BS1
3	XRDY (S)	H	One of two ready inputs to current bus master. Bus ready when both are true (see pin 72)	45	sM ₁ (M)	H	Indicates current cycle is op-code fetch	77	pWR (M)	L	Valid data on DO bus or databus
4	V ₁₀ (S)	L o.c.		46	sINP (M)	H	Identifies data transfer bus cycle from input device	78	pDBIN (M)	H	Requests data on DI bus or data bus from currently addressed S
5	V ₁₁ (S)	L o.c.		47	sMEMR (M)	H	Identifies bus cycles that transfer data from memory to bus master which are not interrupt acknowledge instruction fetch cycle(s)	79	A ₀ (M)	H	Address bit 0 (least significant)
6	V ₁₂ (S)	L o.c.	Vectored interrupt lines 0 to 7	48	sHLTA (M)	H	Acknowledges HLT instruction executed	80	A ₁ (M)	H	Address bit 1
7	V ₁₃ (S)	L o.c.		49	CLOCK (B)	A	2 MHz (±0.5%) 40-60% duty cycle	81	A ₂ (M)	H	Address bit 2
8	V ₁₄ (S)	L o.c.		50	0V (B)		Common with pin 100	82	A ₃ (M)	H	Address bit 3
9	V ₁₅ (S)	L o.c.		51	+8V (B)		Common with pin 1	83	A ₄ (M)	H	Address bit 4
10	V ₁₆ (S)	L o.c.		52	-16V (B)		Common with pin 100	84	A ₅ (M)	H	Address bit 5
11	V ₁₇ (S)	L o.c.		53	0V (B)		Common with pin 100	85	A ₆ (M)	H	Address bit 6
12	NMI (S)	L o.c.	Non-maskable interrupt	54	SLAVE CLR (B)	L o.c.	Reset bus slaves. Active with POC, may be generated externally	86	A ₇ (M)	H	Address bit 7
13	PWRFAIL (B)	L o.c.	Power fail bus signal	55	TMA ₀ (M)	L o.c.	TM priority bit 0	87	A ₈ (M)	H	Address bit 8
14	TMA ₃ (M)	L o.c.	TM priority bit 3	56	TMA ₁ (M)	L o.c.	TM priority bit 1	88	A ₉ (M)	H	Address bit 9
15	A ₁₈ (M)	H	Extended address bit 18	57	TMA ₂ (M)	L o.c.	TM priority bit 2	89	A ₁₀ (M)	H	Address bit 10
16	A ₁₆ (M)	H	Extended address bit 16	58	sXTRQ (M)	L	Requests 16-bit slaves to assert SIXTN	90	A ₁₁ (M)	H	Address bit 11
17	A ₁₇ (M)	H	Extended address bit 17	59	A ₁₉ (M)	H	Extended address bit 19	91	DI ₄ (S)	H	Data in bit 4
18	SDSB (M)	L o.c.	Disable 8 status signals	60	SIXTN (S)	L o.c.	Generated by 16-bit slaves in response to 16-bit request signal sXTRQ	92	DI ₅ (S)	H	odd data bit 4
19	ODSB (M)	L o.c.	Disable 5 control output	61	A ₂₀ (M)	H	Extended address bit 20	93	DI ₆ (S)	H	Data in bit 5
20	0V (B)		Common with pin 100	62	A ₂₁ (M)	H	Extended address bit 21	94	OD ₁ (M/S)	H	odd data bit 5
21	NDEF		Not defined (maker specifies use)	63	A ₂₂ (M)	H	Extended address bit 22	95	DI ₅ (S)	H	Data in bit 6
22	ADSB (M)	L o.c.	Disable address signals	64	A ₂₃ (M)	H	Extended address bit 23	96	OD ₀ (M/S)	H	odd data bit 6
23	DODSB (M)	L o.c.	Disable data output	65	NDEF		Not to be defined	97	DI ₁ (S)	H	Data in bit 1
24	φ (B)	A	Master bus timing signal	66	NDEF		Not to be defined	98	OD ₁ (M/S)	H	odd data bit 1
25	pSTVAL (M)	L	Status valid strobe	67	PHANTOM (M/S)	L o.c.	Disables normal slave devices and enables phantom slaves	99	POC (B)	L	Power-on clear signal for all bus devices; must stay low for 10ms min
26	pHLDA (M)	H	Used with HOLD to coordinate bus master transfer operations	68	MWRT (B)	H	pWR - sOUT (logic equation) must follow pWR by ≤30ns	100	0V (B)		System ground
27	RFU		Reserved for future use	69	RFU		Reserved for future use				
28	RFU		Reserved for future use	70	0V (B)		Common with pin 100				
29	A ₅ (M)	H	Address bit 5	71	RFU		Reserved for future use				
30	A ₄ (M)	H	Address bit 4	72	RDY (S)	H o.c.	See pin 3				
31	A ₃ (M)	H	Address bit 3	73	INT (S)	L o.c.	Primary interrupt request bus signal				
32	A ₁₅ (M)	H	Address bit 15 (most significant for non-extended addressing)	74	HOLD (M)	L o.c.	Used with pHLDA to coordinate bus master transfer operations				
33	A ₁₂ (M)	H	Address bit 12								
34	A ₉ (M)	H	Address bit 9								
35	DO ₁ (M)	H	Data out bit 1								
	ED ₁ (M/S)		bidirectional even data bit 1								
36	DO ₀ (M)	H	Data out bit 0								
	ED ₀ (M/S)		even data bit 0								
37	A ₁₀ (M)	H	Address bit 10								
38	DO ₄ (M)	H	Data out bit 4								
	ED ₄ (M/S)		even data bit 4								
39	DO ₅ (M)	H	Data out bit 5								
	ED ₅ (M/S)		even data bit 5								
40	DO ₆ (M)	H	Data out bit 6								
	ED ₆ (M/S)		even data bit 6								
41	D ₁₂ (S)	H	Data in bit 2								
	OD ₂ (M/S)		odd data bit 2								
42	D ₁₃ (S)	H	Data in bit 3								
	OD ₃ (M/S)		odd data bit 3								

to the backplane.

Futurebus (P896) is still a long way ahead. An ambitious concept, providing a communications highway between processors in fault-tolerant processor systems, it has been subject to political controversy. An early draft of it was said to be too similar to Eurobus and to share shortcomings of VME bus in the driver and backplane-termination/network areas; P896 was also multiplexed whereas VME was not. But new drafts are now in preparation. Goals of the Futurebus committee are to provide true multiprocessor capability, processor and manufacturer independence and fault tolerance to a high level on a Eurocard/DIN format.

In being first past the post, the S100 (P696), has gone a long way in winning widespread confidence. It provides an impressive example of how an *ad hoc* collection of signals and mechanical formats which have been copied and modified by various manufacturers to a degree where they are no longer compatible, has been

taken by a group of dedicated enthusiasts and transformed into a competent and usable standard.

While buses like Multibus, S100 and STD — all originally derived from the 8080 signal set — differ mechanically in the USA at least their signal connections are similar, and a degree of standardization exists. In Europe on the other hand, there is a great need for bus standardization; the DIN connector and Eurocard are standard enough, but there are over 60 microcomputer buses using them — most of them proprietary!

Thought on a microelectronics timescale the S100 is venerable, it is nevertheless one of the highest performance buses available today. It is a mid-range bus, without the inherent intelligence of a Eurobus or Futurebus, but providing the flexibility to satisfy knowledgeable users wanting quick, cost-effective solutions. It supports both eight and 16-bit processors, up to 16Mbytes of memory and 64K ports. Almost every tape of processor can be used.

Designers are only too familiar with the fact that in any new system, only a small core warrants entirely new design and that most of the functions could be built up with standard circuits if they were available. S100 meets just this need. With almost 150 o.e.ms and 1000 circuit cards to choose from — more if other standards cards embodying S100 adaptors are included — S100 frees the designer to concentrate creative attention on the new core by allowing quick assembly of the rest, Lego-style, from standard building blocks.

IEEE standard

The new standard IEEE696/S100 bus has 16-bit capability, can accept between four and 22 boards and has a practical maximum data rate of 10MHz (the standard is 6MHz). It supports up to 16 megabytes of memory (24 address lines) and has 43 control timing and status signals; 16 data lines and eight power supply and earth lines. Other lines are reserved for future use or are not defined.

Each S100 circuit board measures 10 by 5.3in overall, and plugs into a 100-pin edge connector (50 pins per row) on a motherboard. An offset ensures that boards cannot be inserted wrong way round. The bus supplies unregulated voltage to the boards which therefore carry their own power regulators. This arrangement reduces noise coupling between modules.

One change brought about by the IEEE standard is to allocate to all S100 cards the status of bus master or bus slave. A master is a device, such as a processor, that controls the bus and a slave is a peripheral or block of memory that is controlled. The bus allows for an elaboration whereby, while there is a single permanent bus master, there may also be up to 16 temporary bus masters. The temporary bus masters are given control on request according to a priority system that is arbitrated by the permanent master. This architecture gives flexible multi-user, multi-processor capability.

The temporary master is typically a device such as a disc controller or secondary processor, and obtains access to the bus under a temporary master access (TMA) system. To request, a t.m. signals its priority on one of four arbitration lines. Unless it has to defer to a higher priority user already on the line, the t.m. wins control of the bus, and may then perform any type of cycle (not just a memory cycle).

Until the IEEE revision, memory slaves used to respond only to 16 address bits, giving the system a total capacity of 64Kbyte. The address bus has, however, been extended by eight lines, increasing the memory capacity of the system to 16Mbyte. Input/output slaves used to respond to only eight address bits, giving a total of 256 i/o port locations. Now 16 address lines may be used, allowing up to 64K i/o ports.

Another IEEE change has been to give S100 the ability to operate with eight-bit, or 16-bit processors, or both. For eight-bit transfers, one bus line (the data out or DO bus) carries data from master to a slave and another (data in or DI) carries data from slave to master. A 16-bit transfer is organised by making both these buses bidirectional instead of unidirectional. Data can flow both in and out, depending on the type of cycle in progress. Two lines, '16 request' and '16 acknowledge', had to be added to allow for this.

The committee decided that a phantom line could be used to disable memory slaves for both read and write cycles, and specified the timing. TMA cycle timing has been more closely specified to ensure that arbitration and transfer take place in a 'glitch-free' manner. Another IEEE enhancement has been to allocate eight lines for an interrupt controller slave. This can arbitrate the priorities of interrupting devices.

Advantages

S100 offers major advantages. It is processor and manufacturer independent and can accept 8-bit c.p.us such as the 8080A, 8085, Z80, 2650, 6502, 6800, 6802 and 6809 plus 16-bit processors like the 8086,

LST-11, 9900, 8088, Z8000 and 68000. There is a matching array of operating systems - CP/M, Turbodos, MS-dos, NS-dos, DP-cos, Unix, etc - and all the major computer languages are catered for. S100 is powerful; no other microcomputer system has direct addressing of up to 16Mbytes of memory, 64K i/o ports, up to ten vectored interrupt lines, up to 16 masters with priority and up to 23 plug-in slots.

Hardware and software developers prefer S100 because the latest technology seems to appear on it first. Every major new processor has been available on the bus before it has been ready for other systems. CP/M first appeared on S100, as did floppy discs. While it is true that S100 systems might not have the lowest hardware costs, the true economy lies in the speeding up of development and manufacture.

In one example, a contracting company had just a few months to construct and instal a prototype data handling and display system. S100 was chosen as the basis because of the immediate availability of modules required - backplane, processor, 64K memory, disc controller and drives, colour display controller and extensive i/o to host mainframe computers. Numerous assemblers for the Z80 processor were available so that software work could start at once. Using this approach with S100, the system was completed from concept to commissioning in less than six months, and is now being evaluated by the MoD as part of an air defence network. The contractor is secure in the knowledge that any system extensions ordered later can also be S100-based, giving good system integration and economy.

The number of S100 building blocks is steadily growing and the blocks themselves becoming more capable. Whereas a year or so ago a system may have had separate processor, i/o disc controller and four static ram cards, the same functions can now be realised on one or two cards. And a currently popular configuration of Z80 micro-running CP/M with a separate memory up to 64Kbytes may soon give way to a recently introduced package combining Z80A with hardware floating point processor, interrupt controller, counter timer, two serial i/o ports - typically for a v.d.u. or printer - and 128K by 9 bit parity ram, all on a single card. Other cards have 16-bit processors or eight and 16-bit dual processors for users wanting to start with eight bits and up-grade later. Standard 64K memory will eventually be complemented by 128K, 256K and even 1M cards. S100 bubble memory is available for special application and hard disc storage is a common addition to conventional 5 1/4 or 8 in floppy discs.

Users are not limited to American cards; British manufacturers are producing cards that rival and surpass longer established American products, increasing the choice for everyone.

S100 is, by its nature, 'futureproof' in that improvements in technology such as those outlined regularly increase the appeal and benefits of the system and will continue to do so. The new standard pro-

vides immense scope for future development and is likely to prove as much a shot in the arm to the burgeoning S100 industry as to users.

Problem solving

Finally, an example known personally to the author illustrates how S100 can be used to solve problems.

When the BBC wanted a caption generator able to produce workman-like captions for evening programme summaries on a new cable vision service, it found the bespoke generators already on the market too sophisticated and expensive. They also needed specially trained people to operate them whereas the Corporation wanted a simple-to-operate device suitable for clerical staff.

An S100 caption generator provided the answer. A Z80 processor with 32K of ram and disc drive permit synchronization to an external video signal for subtitling and caption generation. Line and field are synchronized with an on-board sync generator. The card features 75-ohm line drivers providing an RGB output and CCIR levels, and automatic interlace selection.

This S100-based system can be expanded simply whenever a requirement arises. Two logical developments would be the addition of a further ram card to permit automatic unattended cycling of captions, and a single-card modem allowing the system to download captions from other BBC departments via Prestel. An electronic time and date display could be added accurate to one second per month and allowing for leap years. A further display card and slave processor would give multi-user capability. The BBC unit as it currently exists has proved inexpensive, effective and easy to use, providing good studio, roll-free, teletext-style captions. Software to allow teletext pages to be created was written straight from keyboard, making no demands on disc storage capacity.

A similar requirement later arose with the Norwegian Broadcasting Authority. The Norwegians heard of the unit the BBC were using, recognised studio sync as the key, and came to the UK to buy the same card. In the end they bought a full S100 system, completed with peripheral drives and interfaces: eight sub-titling units cost no more than a single highly specialized dedicated device designed to do the same job. If they wished the Norwegian could now increase their storage capacity 100-fold by adding another card and substituting a hard disc drive for the present floppy. They will in any case add a fast serial and parallel communications card permitting communication with a mainframe computer for the overall control of tv programming content involving subtitles.

Without S100, the options would be impossible or expensive, and it is this ability of S100 to accommodate evolution without great expense which is its greatest strength. At last we have a powerful, practical and standard databus which is well backed and can be adopted with confidence.

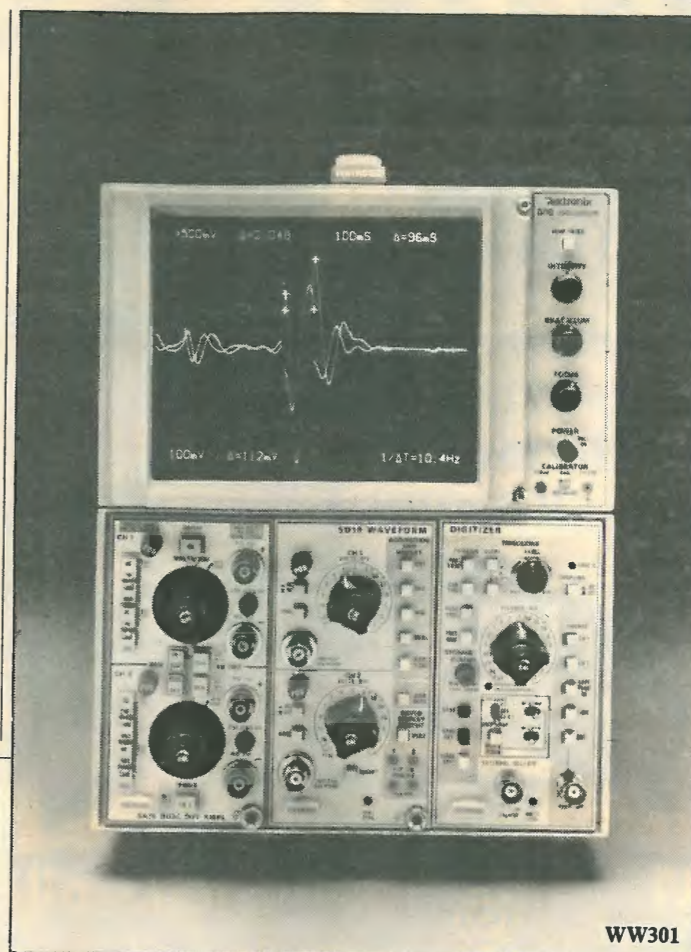
WW

NEW PRODUCTS

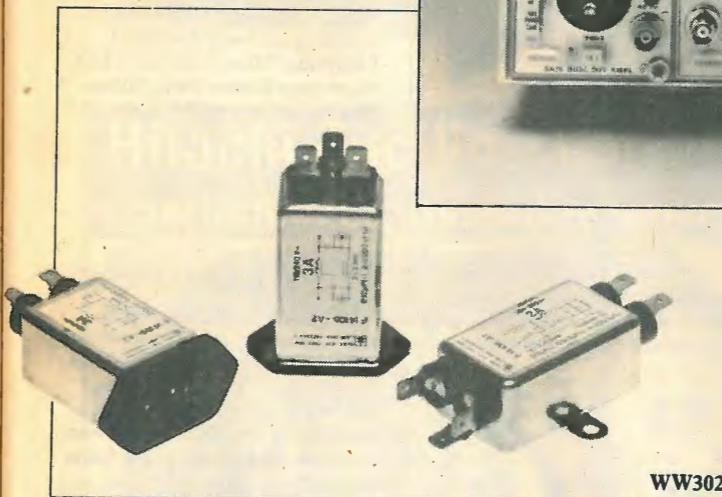
Scope for colour

Addition of colour to an oscilloscope display has been made possible with the use of a liquid crystal colour shutter. The display has many inherent advantages over a shadow mask colour c.r.t.; it is much cheaper to produce, has no convergence problems, and the only limit to resolution is the spot size. But there are also limitations; only two colours, cyan and orange, are available in addition to the neutral white. They are arranged so that the upper trace is cyan, the lower trace is orange. Alphanumeric readouts use the same colours as the traces while axes and time measurements appear in neutral. The system is to be applied to the whole 5000 range of Tektronix oscilloscopes. When fitted with the 5D10 waveform digitizer they become digital storage oscilloscopes. The 5D10 provides the switching signal to the colour shutter. Tektronix UK Ltd, PO Box 69, Harpenden, Herts AL5 4UP.

WW301



WW301



WW302

Mains r.f. filters

A range of r.f. suppression filters comes from Iskra. They protect mains-powered equipment from mains r.f. interference. They incorporate series inductors and parallel capacitors within the screened metal housings to give attenuation greater than 40dB over the frequency range 750kHz to over 30MHz. Three versions have differing r.f. and electrical characteristics; all are rated at 240V a.c. 50Hz, and operate over a wide range of temperatures. Iskra Ltd, Redlands, Coulsdon, Surrey CR3 2HT.

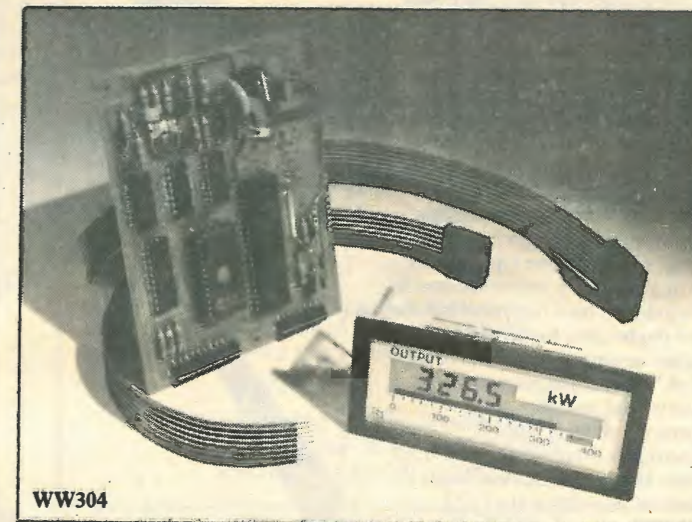
WW302

68000 on a board

A single-board computer incorporating the 16-bit 68000 processor has been produced by Apollo Software. The processor

runs at 10MHz and has 17 internal 32-bit registers and a 24-bit program counter. The standard board comes with a comprehensive monitor on eeprom which provides full debug facilities, single step and trace, down line loader, and a programming handler. Also on the board is 4K of ram (expandable to 16K), the 16K eeprom is expandable to 32K, a 24-line parallel interface and an RS232C interface with a wide range of transmission rates. An optional plug-in eeprom programmer board can program 2764 and 27128 eeproms with code from the computer card, or downloaded from a host computer. Apollo also offers a cross assembler for Z80-based computers available in disc format for use with CP/M or with cassette interface for the Sharp MZ range of computers.

A complete 68000 development system consisting of a host Z80 computer, cross assembler, 68000

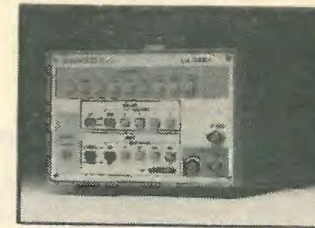


WW304

digital meter, it also incorporates a 'trend' bar, displayed beneath the digital read-out, which expands or contracts in proportion to the reading. Incorporating a microprocessor, the meter can be programmed to serve as a multimeter covering several different measurement functions or ranges. One sector of the l.c.d. can display the function or range in use. It may also be programmed as a remote monitor to initiate control or alarm functions at pre-set low or high limits. Sifam Ltd, Woodland Road, Torquay, Devon. WW304

Signals for CD testing

The compact disc has engendered a whole range of equipment that needs to be tested and serviced. The Kenwood Compact Disc Encoder generates a signal equivalent to that produced from



the laser pick-up of a CD player with code formats conforming to CD standards. Nine audio signals are generated internally and are used to produce five test frequencies in a variety of waveforms. Error detection can be tested by inserting externally generated tone bursts. Subpatterns can be used to give any test pattern required. The p.c.m. output is provided at t.t.l. level as well as r.f. House of Instruments, Clifton Chambers, 62 High Street, Saffron Walden, Essex CB10 1EE. WW305

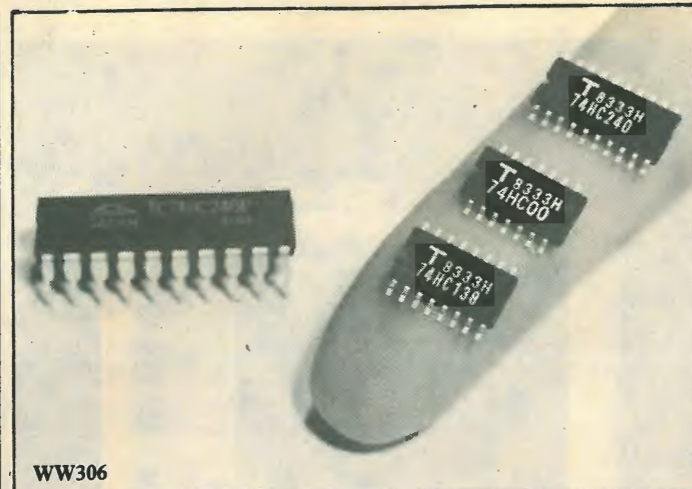
A and D on same meter

Shown at Internecon in Brighton last month, Sifam are claiming a 'world's first' for their combined digital and analogue panel meter. Resembling a conventional l.c.d.

NEW PRODUCTS

Cmos logic in small Packages

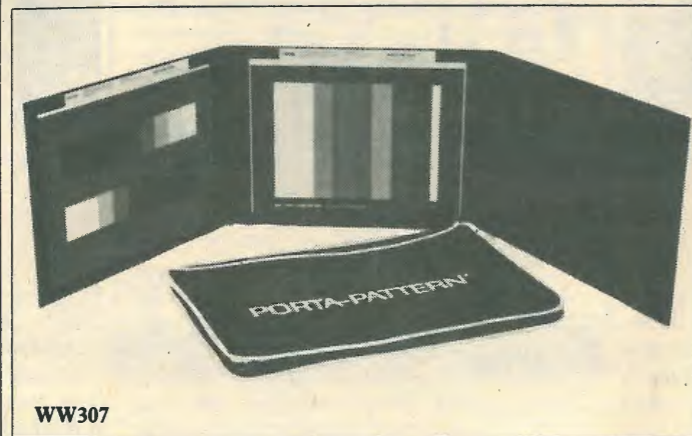
Thirty of the 74-series logic components have been produced in small flat packages suitable for surface mounting (see also News). The package occupies about half the space of conventional i.c.s on a p.c.b. and are less than half the thickness and a fifth of the weight. The Toshiba logic packs are made in a 'New HS C²MOS' which is claimed to be 20 to 30 times as fast as regular cmos. This, combined with the small size of the package which makes p.c.b. track lengths much shorter, can lead to both very high speed and accuracy of operation, says Toshiba. Toshiba UK Ltd, Frimley Road, Frimley, Camberley, Surrey WV5 8AQ. WW306



WW306

TV test chart

For the instant testing of tv cameras and ancillary equipment almost anywhere, Crow of Reading have produced a double test chart with the BBC 62P colour bar chart and a nine-step log reflectance grey scale reflectance chart. They are mounted together in a folder and incorporate a black matt screen to cover the colour chart when the grey scale is in use. When folded the charts are sealed against light and dirt and fit into a nylon carrying case. The colour chart devised by the BBC research department with W. R. Royle and Sons uses specially developed pigments which give a high saturation colour image. Crow of Reading Ltd, PO Box 36, Reading, Berks RG1 2NB. WW307



WW307

Photodiode for micron waves

A photodiode made of a compound of indium, gallium, arsenic and phosphorus is sensitive to light in the wavelength range 1 to 1.5 μm and has a maximum quantum efficiency of about 70%. Developed by Hitachi, the HR1101 is thought to be of particular use in long-distance fibre optic communications because at these wavelengths the transmission losses along an optical fibre are known to be minimum. Up to now, avalanche photodiodes have been used but the new diodes offer higher speed, higher sensitivity, one tenth of the 'dark' current and between a quarter and an eighth of the operation voltage. Hitachi Electronics Components (UK) Ltd, Hitec House, 231 Station Road, Harrow, Middlesex HA1 2XL. WW308



WW310

Cross-compiler for software

When a program has been developed for use with a particular processor it can be difficult to translate it for use on other processors. Not so, if the software is developed on a Codata 3300 running Unix as it can be used on the 8080, 8085, 8086, Z80, 6502, 6809 and TMS7000 and other processors. The cross-compiler is based around the C-language, which provides high-level commands and structures while manipulating data normally associated with low-level languages. C enables applications software to be rapidly developed on the Codata and the cross compilers can subsequently be used to generate the native code for the processor to be used, without modification. If required a Systems interface library can give access to the commands of a variety of operating systems, such as CP/M, VAX/VMS and RSX-11. Programmers who would prefer to use Pascal can have their source code translated into C and thence into the various processor-specific codes. Translators for Fortran and Basic are being developed. Cambridge Micro Computers Ltd, Cambridge Science Park, Milton Road, Cambridge CB4 4BN. WW309

Optical power meter

A hand-held small, lightweight power meter for light measurement could be useful for taking readings in awkward places. The Anritsu ML96A is just such a meter with autoranging and switching between Watt and dBm displays. The meter uses different sensors to cover wavelengths from 0.4 to 1.8 μm with a sensitivity from -60dBm to 10dBm. It has an accuracy of 5%. The meter was designed for use in research and development, particularly in the areas of optical communications, video and audio digital discs. The unit comes complete with internal rechargeable batteries, capable of operating for 20 hours, and a battery charger unit. Anritsu Europe Ltd, Thistle Road, Windmill Trading Estate, Luton, Beds LU1 3XJ. WW310

If you would like more information on any of the items featured here, enter the appropriate WW reference number(s) on the mauve reply paid card bound in this issue. Overseas cards require a stamp.

No Contest!

The SC61 waveform analyser from Sencore stands head and shoulders above any other oscilloscopes for speed, accuracy and versatility even from semi-skilled operators — and we're prepared to come round and prove it.



For an on-site test and more information: Mike Dawson 01-897 6446.



Fieldtech Heathrow

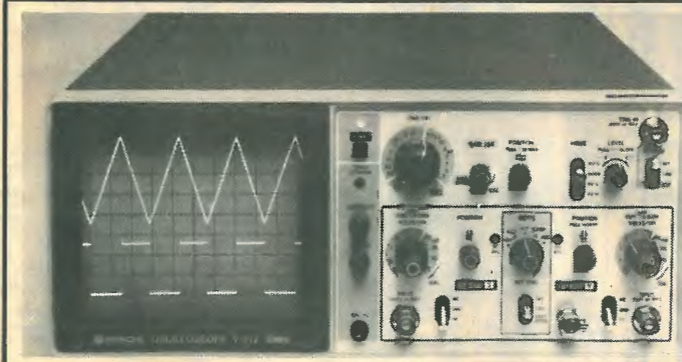
Fieldtech Heathrow Limited
Huntavia House 420 Bath Road
Longford Middlesex UB7 0LL
Telex: 23734 FLDTEC G

WW - 020 FOR FURTHER DETAILS

Hitachi Oscilloscopes performance, reliability, value



New Models! immediate delivery!



New from Hitachi are three low-cost bench 'scopes with bigger screens and extra features in a new slimline ultra-lightweight format. The range now extends to 13 models:—

- 4 dual trace single timebase models 20MHz to 40MHz
- 2 dual trace sweep delay models 20MHz and 35MHz
- 2 dual timebase multi-trace models 60MHz and 100MHz
- 2 miniature field portable models, 20MHz and 50MHz
- 3 storage models, one tube storage, two digital storage

Prices start at £295 plus vat (model illustrated) including 2 probes and a 2-year warranty. We hold the range in stock for immediate delivery.

For colour brochure giving specifications and prices ring (0480) 63570.

Reltech Instruments, 46 High Street, Solihull, W. Midlands, B91 3TB

WW - 038 FOR FURTHER DETAILS

IN VIEW OF THE EXTREMELY RAPID CHANGE TAKING PLACE IN THE ELECTRONICS INDUSTRY, LARGE QUANTITIES OF COMPONENTS BECOME REDUNDANT. WE ARE CASH PURCHASERS OF SUCH MATERIALS AND WOULD APPRECIATE A TELEPHONE CALL OR A LIST IF AVAILABLE. WE PAY TOP PRICES AND COLLECT.

BROADFIELDS & MAYCO DISPOSALS

21 Lodge Lane, N. Finchley, London, N.12. 5 mins. from Tally Ho corner
Telephone 445 2713/0749

WW - 065 FOR FURTHER DETAILS

SALE*

P.&R. COMPUTER SHOP

IBM GOLFBALL PRINTERS from £70 EACH + V.A.T.

INTERFACE FOR IBM GOLFBALL £40 + V.A.T.
*BRAND-NEW LA36 DEC WRITERS—SALE £200 EACH + V.A.T.
CENTRONIC 779 PRINTERS—£325 + V.A.T.
CENTRONIC 781 PRINTER—£350 + V.A.T.
POWER UNITS, 5-VOLT 6-AMP—£20 EACH
FANS, PCBs, KEYBOARDS AND LOTS MORE
8-INCH IBM FLOPPY DISC DRIVES.

COME AND LOOK AROUND
SALCOTT MILL, GOLDHANGER ROAD
HEYBRIDGE, MALDON, ESSEX
PHONE MALDON (0621) 57440

WW - 064 FOR FURTHER DETAILS

LANGREX SUPPLIES LTD

Climax House, Fallsbrook Rd., Streatham, London SW16 6ED
RST Tel: 01-677 2424 Telex: 946708 **RST**

SEMICONDUCTORS			
AA119	0.10	AS215	1.20
AA190	0.17	AS216	1.10
AA192	0.27	AS217	1.00
AA213	0.15	AS220	2.30
AA215	0.15	AS221	2.50
AA217	0.15	AU113	2.50
AC107	0.55	AU170	3.00
AC125	0.25	BA145	0.13
AC126	0.25	BA148	0.15
AC127	0.25	BA154	0.10
AC128	0.30	BA155	0.11
AC141	0.28	BA156	0.10
AC141K	0.35	BAW62	0.05
AC142	0.28	BAX13	0.06
AC142K	0.35	BAX16	0.06
AC176	0.30	BC107	0.16
AC187	0.28	BC108	0.16
AC188	0.38	BC109	0.16
ACY17	1.30	BC113	0.15
ACY18	1.15	BC114	0.15
ACY19	1.10	BC115	0.18
ACY20	1.10	BC116	0.19
ACY21	1.15	BC117	0.23
ACY39	2.50	BC118	0.18
AD149	0.75	BC125	0.18
AD161	0.35	BC126	0.18
AD170	0.25	BC127	0.18
AF106	0.35	BC136	0.19
AF114	0.75	BC137	0.19
AF115	0.75	BC147	0.12
AF116	0.75	BC148	0.12
AF117	0.49	BC149	0.12
AF139	0.33	BC157	0.13
AF186	1.00	BC158	0.13
AF239	0.39	BC159	0.13
AFZ11	4.00	BC167	0.11
AFZ12	4.00	BC170	0.11
ASV26	1.40	BC171	0.11
ASV27	0.90	BC172	0.11

VALVES			
E130L	18.50	EF85	1.75
E183A	9.00	EF86	1.75
A1087	13.50	EF87	2.50
A1234	17.50	EF88	2.50
A2293	16.00	EF89	2.50
A2426	18.75	EF90	2.50
A2521	22.50	EF91	2.50
A2901	22.50	EF92	2.50
A3343	45.00	EF93	2.50
AZ31	2.75	EF94	2.50
AZ41	2.60	EF95	2.50
BK448	114.90	EF96	2.50
BK484	155.35	EF97	2.50
B590	58.00	EF98	2.50
B5452	60.00	EF99	2.50
B5810	60.00	EF100	2.50
BT5	58.95	EF101	2.50
BT17	151.00	EF102	2.50
BT19	44.05	EF103	2.50
BT29	349.15	EF104	2.50
BT69	354.80	EF105	2.50
BT75	129.00	EF106	2.50
CL31	4.00	EF107	2.50
CL33	4.00	EF108	2.50
CLK	20.00	EF109	2.50
CL3A	22.00	EF110	2.50
C3A	20.00	EF111	2.50
DA41	25.00	EF112	2.50
DA42	18.70	EF113	2.50
DAF91	1.75	EF114	2.50
DAF96	3.75	EF115	2.50
DET22	15.00	EF116	2.50
DET24	49.00	EF117	2.50
DF91	1.75	EF118	2.50
DF96	1.75	EF119	2.50
DK91	1.75	EF120	2.50
DK92	2.00	EF121	2.50
DK96	1.75	EF122	2.50
DL92	2.00	EF123	2.50
DL94	1.75	EF124	2.50
DL96	1.75	EF125	2.50
DL98	1.75	EF126	2.50
DL99	1.75	EF127	2.50
DM70	2.00	EF128	2.50
DM71	2.00	EF129	2.50
DM160	4.75	EF130	2.50
DY87	1.50	EF131	2.50
DY802	1.50	EF132	2.50
E55L	22.00	EF133	2.50
E80CC	8.81	EF134	2.50
E80CF	11.27	EF135	2.50
E80F	13.57	EF136	2.50
E81C	8.00	EF137	2.50
E81L	12.57	EF138	2.50
E82CC	8.10	EF139	2.50
E83C	8.40	EF140	2.50
E86C	8.25	EF141	2.50
E88C	8.25	EF142	2.50
E88CC	8.00	EF143	2.50
E90CF	8.61	EF144	2.50
E90F	9.90	EF145	2.50
E91H	6.25	EF146	2.50
E92CC	8.75	EF147	2.50
E99F	9.10	EF148	2.50

INTEGRATED CIRCUITS			
7400	0.16	7423	0.33
7401	0.17	7425	0.30
7402	0.17	7427	0.30
7403	0.17	7428	0.43
7404	0.18	7430	0.38
7405	0.18	7432	0.30
7406	0.43	7433	0.40
7407	0.43	7437	0.32
7408	0.20	7438	0.32
7409	0.20	7440	0.32
7410	0.17	7441	0.90
7412	0.29	7442	0.72
7413	0.32	7447AN	1.17
7416	0.32	7450	0.18
7417	0.32	7451	0.18
7420	0.18	7453	0.18
7422	0.20	7454	0.18

Terms of business: CWO. Postage and packing valves and semiconductors 50p per order. CRTs £1.50. Prices excluding VAT, add 15%.
 Price ruling at time of despatch.
 In some cases prices of Mullard and USA valves will be higher than those advertised. Prices correct when going to press.
 Account facilities available to approved companies with minimum order charge £10. Carriage and packing £1.50 on credit orders.
 Over 10,000 types of valves, tubes and semiconductors in stock. Quotations for any types not listed. S.A.E.
 Telephone 01-677 2424/7 Telex 946708 E. & O.E.
 Open to callers Monday-Friday 9 a.m.-5 p.m.

pantechnic THE POWERFET SPECIALISTS

OEM USERS

Pantechnic present the most adaptable high-powered amplifier ever.

FET SYSTEM AMP

Features:

- HIGH POWER. 1.2kW (single ended)
- LOW VOLUME. 1/8 Cubic foot inc. Heatsink
- VERSATILE. Delivers more than 1kW into 1/2 to 8 ohms

OR 2 x 600W into 2 to 8Ω
 OR 4 x 300W into 2 to 4Ω (200W into 8Ω)

OR { 1 x 600W into 2 to 8Ω
 1 x 300W into 2 to 4Ω
 1 x 150W into 4 to 8Ω

Etc., etc.

Having been closely involved in a wide variety of OEM applications of their amp boards, Pantechnic became aware of numerous implementation problems often left unacknowledged by other amp board manufacturers. These problems specifically of size and thermal efficiency became particularly aggravated at high powers and considerably lengthened OEM product development times.

By including thermal design in the totality of board design it has been possible to reduce the size of the electronics, and increase the efficiency of the transistor to heatsink thermal circuit. The combined effect of this has been to dramatically increase the volumetric efficiency of the amplifier/heatsink assembly. The SYSTEM Amp offers 1.2kW of power in a space of 180mm x 102mm x 77mm, excluding PSU and Fan.

The basis of this considerable advance is the PANTECH 74 Heat Exchanger, newly designed and manufactured by us. By eliminating the laminar air flow found in conventional, extruded heatsinks, heat transfer to the environment is greatly enhanced.

The flexibility of the 1.2kW amp stems from its division into 4 potentially separate amplifiers of 300W each (downrateable with cost savings to 150W). These can be paralleled, increasing current capability or seriesed (bridge in pairs) doubling voltage capability. In consequence a large variety of amplifier/load strategies can be implemented.

As ever Pantechnic offer a full range of customising options including DC coupling, ultra-high slew, etc. Contact Phil Rimmer on 01-800 6667 with your particular application problem.

P.S. Specs, as ever, are exemplary.

A wide range of other amplifiers and other modules available.

Price and Delivery
PANTECHNIC (Dept. WW12)
 17A WOOLTON STREET
 LIVERPOOL L25 5NH
 Tel: 051-428 8485

Technical Enquiries contact
 Phil Rimmer on
 01-800 6667

WW - 031 FOR FURTHER DETAILS

CHUM ONE Industrial Computer

£189

- ★ BASIC, Z80 Assembler and PLC Language
- ★ Detachable Hand-held Keyboard and Display
- ★ 8K Bytes of non-volatile Memory
- ★ Eight Analogue Inputs
- ★ One Analogue Output
- ★ Up to 512 Optical Coupled Inputs/Outputs
- ★ Four Programmable Frequency/Timers
- ★ RS 232 Serial Input/Output Port
- ★ Cassette Back-up Memory
- ★ Real Time Clock

Simply by changing the EPROM in the top socket a Chum One can be used for such functions as:

- Machine Control
- Temperature Control
- Computer Outstations
- Data Logging
- Weighing Machine
- Programmable Timer

Tested
 Es-Equipment
 4CX250B 6.50

★ BASIC, Z80 Assembler and PLC Language
 ★ Detachable Hand-held Keyboard and Display
 ★ 8K Bytes of non-volatile Memory
 ★ Eight Analogue Inputs
 ★ One Analogue Output
 ★ Up to 512 Optical Coupled Inputs/Outputs
 ★ Four Programmable Frequency/Timers
 ★ RS 232 Serial Input/Output Port
 ★ Cassette Back-up Memory
 ★ Real Time Clock

Simply by changing the EPROM in the top socket a Chum One can be used for such functions as:

- Machine Control
- Temperature Control
- Computer Outstations
- Data Logging
- Weighing Machine
- Programmable Timer

WARWICK DESIGN GROUP, 12 ST. GEORGE'S ROAD
 LEAMINGTON SPA CV31 3AY (0926) 34311

WW - 036 FOR FURTHER DETAILS

THE SOURCE OF ALL GOOD USED TEST EQUIPMENT

ANALYSERS

Hewlett Packard
 3582A Dual-Channel Spectrum Analyser
 0.02Hz-25.5KHz £1450.00
 5004A Signature Analyser £550.00

Tektronix
 AA501 opt 01. Distortion 10Hz - 100KHz
 to Less than 0.0025% £1450.00
 DAS 9103 opt 01 02. Logic Analyser £11,000.00
 DF1 Display Formatter for 70M1 £850.00
 308 Portable 8 Channel 20MHz Data Analyser £2100.00
 492 [opt 01, 0B] Spectrum Analyser
 50KHz-21 GHz £13000.00
 492P [opt 01, 2, 3] Programmable Version
 of 492 £20000.00
 7L5 Spectrum Analyser with opt 25
 (Tracking Gen) and L3 (50k input) 20Hz -
 5MHz £7300.00
 7L12 Spectrum Analyser 100KHz-1.8GHz
 £6000.00
 7L13 Spectrum Analyser 1KHz-1.8GHz
 £7500.00
 7L18 Spectrum Analyser 1.5GHz-60GHz
 £7500.00
 TP603 Tracking Generator (for 492/496
 series) £3250.00
 5L14 Spectrum Analyser 20Hz-100KHz
 £2350.00
 7D01 16 Channel 100MHz Sample Rate
 £2450.00
 7D02/01 Logic Analyser £3950.00

TEKTRONIX PLUG INS

We stock a complete range of Plug Ins for use with 7000 and 5000 series Mainframes.

TEKTRONIX TM500 SERIES

We stock a very wide range of these versatile modular equipments

DF1 Display Formatter for 70M1 £850.00
 308 Portable 8 Channel 20MHz Data Analyser £2100.00
 492 [opt 01, 0B] Spectrum Analyser
 50KHz-21 GHz £13000.00
 492P [opt 01, 2, 3] Programmable Version
 of 492 £20000.00
 7L5 Spectrum Analyser with opt 25
 (Tracking Gen) and L3 (50k input) 20Hz -
 5MHz £7300.00
 7L12 Spectrum Analyser 100KHz-1.8GHz
 £6000.00
 7L13 Spectrum Analyser 1KHz-1.8GHz
 £7500.00
 7L18 Spectrum Analyser 1.5GHz-60GHz
 £7500.00
 TP603 Tracking Generator (for 492/496
 series) £3250.00
 5L14 Spectrum Analyser 20Hz-100KHz
 £2350.00
 7D01 16 Channel 100MHz Sample Rate
 £2450.00
 7D02/01 Logic Analyser £3950.00

TEKTRONIX TV TEST EQUIPMENT

148 Sig Gen £4000.00
 141A Sig Gen £1500.00
 1485R Waveform Monitor £3200.00
 651HR PAL Monitor £2100.00
 655HR-1 Monitor £3800.00
 656HR PAL/SECAM Monitor £3900.00
 671 PAL Monitor £1800.00

MISCELLANEOUS

Avo Model B Multimeters £80.00
 TP603 Tracking Generator (for 492/496 series) £3250.00
 VCM 163 Value Characteristic Meter £485.00
 7 Electricians Multimeter £85.00
 Bruel & Kjaer
 2203 Sound Level Meter £450.00
 2209 Sound Level Meter £850.00
 1813 Filter £400.00

Databats

DL501 Transient Recorder £750.00
 DL905 Transient Recorder £995.00

Fluke

515A Portable Calibrator £1750.00
 845 AB Null Detector £810.00
 931B Diff V Meter £1,000.00
 1900A Counter/Timer 80MHz £225.00
 3010A 3-6 Printer £500.00
 3010A Logic Tester. Self Contained
 Portable. Full Spec. on Request £850.00
 5205A Precision Power Amplifier £3500.00
 8921A DMM £695.00

Hewlett Packard

457A Amplifier £725.00
 415A SWR Meter £950.00
 3555A Psophometer £850.00
 435A Power Meter £1,000.00
 3552A Trans Test Set £1,500.00
 5300B/5306A DMM/Counter £1,200.00
 4815A Vector Impedance Meter £3850.00

Merconi

TF1313A LCR Bridge £775.00
 TF2603 RF Millivoltmeter £750.00

Racal

9514 Counter/Timer IEEE £850.00

Tektronix

105 Square Wave Generator 1ns risetime
 10Hz-1MHz without accessories £175.00
 191 Constant Amplitude Generator £250.00
 832 Data Comms. Tester £925.00
 833 Data Comms. Tester £1350.00
 2701 Step Attenuator 50Ω 0.79dB in 1dB
 steps. DC to 2GHz £295.00

OSCILLOSCOPES

Hewlett Packard
 1332A High Quality CRT Display
 9.6 x 11.9cm £1250.00
 1809A 100MHz 4 Channel Plug In
 £2000.00
 1821A Timebase Plug In £1000.00

Philips
 PM3232 Dual Beam 10MHz £495.00

Tektronix
 305 Portable battery scope/DMM, D.T
 5MHz £875.00
 335 Dual Trace 35MHz Small portable with
 delay T Base £1300.00
 200C Trolley for 400 Series £120.00
 7133 100MHz Storage Mainframe
 £2225.00
 7603 100MHz Mainframe £1850.00
 5440 50MHz Mainframe £1000.00
 5441 50MHz Variable Persistence Storage
 Mainframe £1800.00
 7704A Scope DC-200MHz Mainframe
 £2850.00
 7813 Storage Scope Mainframe
 DC-100MHz £3250.00
 7834 Storage Scope Mainframe
 DC-400MHz £7500.00
 7844 Dual Beam 400MHz Mainframe
 £7750.00
 7854 Waveform Processing Scope
 DC-400MHz £9000.00
 7904 opt 02, 03 500MHz £5350.00

SIGNAL SOURCES

E H Labs
 132A Pulse Gen £1200.00
 139B Pulse Gen £950.00

Hewlett Packard
 214A Pulse Gen £950.00
 11720A Pulse Modulator £1950.00
 612A Sig Gen £1500.00
 8004A Pulse Gen £450.00
 8013B Pulse Gen £750.00
 8640A Sig Gen £2750.00
 3310A Funct Gen £495.00

Marconi
 TF200B Sig Gen £3000.00
 TF2015 Sig Gen £1350.00
 TF2015/1 Sig Gen £1350.00
 TF2199 Pulse Modulator £200.00
 TF2120 Waveform Gen £850.00

STOP PRESS
 New Catalogue
 Just Out
 Send for your
 free copy now

Please note: Prices shown do not include VAT or carriage.

Electronic Brokers Ltd., 61/65 Kings Cross Road,
 London WC1X 9LN. Tel: 01-278 3461. Telex 298694

HART

LINSLEY-HOOD 300 SERIES AMPLIFIERS



30 Watt Complete Kit £65
 35 Watt Complete Kit, MosFet O/P £79.50
 45 Watt Complete Kit, MosFet O/P £83.50
 Reprints of 30 Watt Article from 'Hi-Fi News' 50p
 Reprints of MosFet Postscript to above 30p

'P.W. WINTON' TUNER AND AMPLIFIER



Tuner, Complete Kit £163
 Amplifier, Complete Kit £96
 Amplifier Reprint £1.25

SOLENOID CONTROLLED HI FI/DIGITAL CASSETTE MECHANISM



Front loading deck with full solenoid control of all functions including optional read in fast wind modes. 12 volt operation. Fitted 3-digit memory counter and Hall IC Motion Sensor. Standard erase and stereo R/P Heads. Cheapest price ever for all these features. Only £38.90 plus VAT. Full technical specification included.

Please Note: New Phone Number: (0691) 652894
 Personal callers are always very welcome but please note that we are closed all day Saturday

LINSLEY-HOOD 100-WATT MOSFET POWER AMPLIFIER

The very latest amplifier design, published in 'Wireless World' by the renowned John Linsley-Hood. This may now be taken as the standard by which the rest are judged! Our kit, approved by the designer, has massive heat sinks and power supply and includes all components needed to build. Case size 412mm wide, 254mm deep and 145mm high. Automatic switched speaker protection is included as standard. Cost of all parts is over £120. Our complete stereo kit price £105.50.

THIS MONTH'S SPECIAL OFFERS

DOLBY 'B' NOISE REDUCTION IC LM1011
 Marvellous opportunity for home experimenters, build your own noise reduction system. Supplied complete with circuit showing typical application. Absolute knockout price only £3.50 for two inc. VAT and post.

COMPLETE STEREO CASSETTE DECK
 Brand new high quality top-loading Cassette Deck complete with Record/Play electronics. Supplied with connection data and circuit diagram. Automatic chrome/ferric switching. Only needs 9v DC supply. Total price only £18.34 inc. VAT and post.

COMPLETE STEREO TUNER MODULE
 Three band LW/MW/FM Stereo Tuner fully assembled on PCB 165 x 85mm. Supplied with Ferrite rod aerial and band switch fully wired. Facility provided to drive tuning meter and stereo LED. Only needs 12v DC supply. FM sensitivity. 2.5uV. Price only £7.99 inc. VAT and post.

ALPS FF317U FM FRONT END
 Beautiful, precision made High Quality variable capacitor tuned FM Front End with Dual-gate MosFet. The tuning capacitor also has 2-AM Gangs and built-in 3:1 reduction gear. Covers full FM range of 87 to 109 MHz. Supply needed is 12v at only 30mA max. Inputs are provided for AGC and AFC signals. These have recently been on special offer from another supplier at £4 plus VAT. OUR PRICE IS ONLY £3.99 INCLUDING VAT AND POSTAGE! Circuit if required 35p.

HIGH-SPEED DIGITAL CASSETTE RECORDER
 A really super buy for the computer enthusiast. These decks, made by Burroughs, use a capstanless cassette mechanism to record and replay data at 10 and 30 inches per second. The read after write head uses an NRZ system with separate tracks for clock and data. Power supplies of 5v, -12v and +12v are required. Front panel is 137mm square and the unit is 200mm deep including rear connector. Offered in good equipment condition at a fraction of original cost, ONLY £44.50 inc. VAT and postage. Data inc. circuits and layouts of PCBs £3.50.

HIGH QUALITY REPLACEMENT CASSETTE HEADS



Do your tapes lack treble? A worn head could be the problem. Fitting one of our replacement heads could restore performance to better than new! Standard mountings make fitting easy and our TC1 Test Cassette helps you set the azimuth spot-on. We are the actual importers which means you get the benefit of lower prices for prime parts. Compare us with other suppliers and see! The following is a list of our most popular heads, all are suitable for use on Dolby machines and are ex-stock.
 HC20 Permalloy Stereo Head. This is the standard head fitted as original equipment on most decks £5.11
 HM90 High Beta Permalloy Head. A hard-wearing, higher performance head with metal capability £8.06
 HS16 Sendust Alloy Super Head. The best head we can find. Longer life than Permalloy, higher output than Ferrite, fantastic frequency response £9.91
 HQ551 4-Track Head for auto-reverse or quadrophonic use. Full specification record and playback head £7.40
 Please consult our list for technical data on these and other Special Purpose Heads.

HART TRIPLE-PURPOSE TEST CASSETTE TC1

One inexpensive test cassette enables you to set up VU level, head azimuth and tape speed. Invaluable when fitting new heads. Only £4.66 plus VAT and 50p postage.

Tape Head De-magnetiser. Handy size mains operated unit prevents build up of residual head magnetisation causing noise on playback £4.54.

Full details of the entire range of HART products is contained in our illustrated lists. Ask for your FREE copy NOW. Enquiries for lists are also welcome from overseas but please let us have three IRCs to cover the cost of surface post or 5 IRCs for airmail.

Please add part cost of post, packing and insurance as follows:

INLAND
 Orders up to £10 - 50p
 Orders £10 to £49 - £1
 Orders over £50 - £1.50

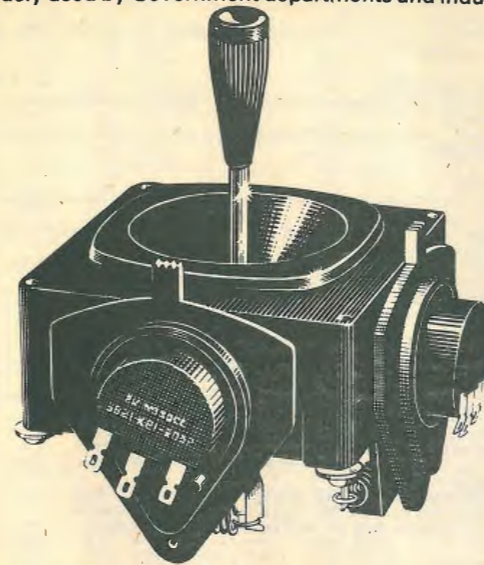
OVERSEAS
 Postage at cost plus £2
 documentation and handling

PLEASE ADD VAT TO ALL PRICES



PRECISION DUAL AXIS CONTROL STICK

Suitable for use with Computers, Robotics, Machine Tools
 Widely used by Government departments and industry



SUPER SMOOTH PRECISE ACTION · SEPARATE FINE TRIM ADJUSTMENT · ACCURATE CENTRING · LONG-LIFE MOULDED NYLON PARTS
 Available in kit form - easily assembled. Standard version - Carbon track pots. 1 off £8.50, P&P 75p. De luxe version - Conductive plastic film pots. 1 off £12.80, P&P 75p. Send SAE for full details of sticks and servos suitable for Robotics. OEM and trade enquiries invited, Barclaycard and Access accepted.

SKYLEADER, DEPT 12, AIRPORT HOUSE, PURLEY WAY
 CROYDON, SURREY CRO OXZ. 01-686 6688

WW-051 FOR FURTHER DETAILS

DEC SALE

a selection from our huge stocks. All items reconditioned unless otherwise stated.
WINTER '83/'84 CATALOGUE NOW OUT
 Send for your Free copy now.

DISK DRIVES

RK07ED 28MB NEW	£2,500	11/40 32KW core, in cab	from £1,250
RK07PD 28MB NEW	£2,500	11/45 32KW core, in cab	from £2,000
RL01A 5MB	£995	11/60 256KB MOS, in cab	from £3,250
RM03AD 67MB NEW	£6,250		
RM80 124MB	£9,500		
RPO6AB 176MB	£7,500		

Memory

MM11DP 16KW core	£225
MM11YP 32KW core	£495
MS11KE 32KW MOS	£195
MS11LB 128KB MOS	£500
MS11LD 256KB MOS	£975
MS11MB 256KB MOS	£925

MAG TAPE - New Low Prices

TE16 Slave	£2,500
TE16 Master with TMO2	£3,125
TE16 Master with TMO3	£4,000
TU77 Master with TMO3	
NEW	£14,500

All above include DEC Cabinet

QBUS

Processors

11/03 64KB, 5 1/2"	from £1495
11/23 128KB, 5 1/2"	from £3250

Memory

MSV11C 32KB MOS	£150
MSV11DD 64KB MOS	£295
MSV11LK 256KB MOS	£750

Options

ADV11A A/D Converter	£725
BA11MF Expander Box	£595
BA11NF Expander Box	£775
IBV11A General Purpose I/F	£325
DLV11J 4-line I/F	£350

UNIBUS

Processors

11/04 32KB, 10 1/2"	from £1750
11/34A 64KB, 5 1/2"	from £2500
11/34A 128KB, 10 1/2"	from £3,500

DEC PDT11/130 PROGRAMMABLE DATA TERMINAL COMPRISING

- * VT100 with Advanced Video Option
- * Integral LSI Processor with 32K RAM
- * Integral dual TU58 mini cartridge

Fantastic value whether for use as VT100 only or as full PDT. £995 including comprehensive manual

PDP11 SYSTEMS

Just two from the many configurations available.

PDP11/34A 256KB 2 x RK07 Disk Drives H960 Cabinet VT100 Console £11,500	PDP11/40 32KW Core 2 x RK05 Disk Drives H960 Cabinet LA36 Console £4,750
--	---

SCOOP PURCHASE OF TEKTRONIX GRAPHICS EQUIPMENT

EX-DEMONSTRATION STOCK IN ORIGINAL MANUFACTURER'S PACKAGING, HUGE SAVINGS ON NEW PRICES ONLY SLIGHTLY USED - COVERED BY FULL WARRANTY

HIGH RESOLUTION BIG SCREEN GRAPHICS DISPLAY TERMINALS

4014-1, 4015-1 and 4016-1
 19in. Screen providing 4096X by 3120Y displayable points or 8512 alphanumeric (models 4014 and 4015). 25in. Screen providing 4096X by 3120Y displayable points or 15,000 alphanumeric (model 4016). APL Character Set (model 4015). Plot-10 compatible. Prices include Enhanced Graphics Option. Extra Memory Option and Programmable Keyboard Option.
 4014-1 £6,950. 4015-1 £7,250. 4016-1 £8,950.

Other Tektronix graphics equipment currently available includes 4006-1, 4010-1, 4027, 4051, 4952, 606/606A/606B and 611.

ELECTROVALUE

OCT. 1983

Product List
ELECTROVALUE

THE WW ENTHUSIAST'S A-Z BUYING GUIDE

It's amazing what you'll find in the pages of our current price list, be you beginner, expert or professional. The list below gives some indication of the enormous stocks we carry and our service is just about as good as meticulous care can make it. WRITE, PHONE OR CALL FOR OUR AUTUMN PRICE LIST NOW!

IT'S FREE!

Good Bargains
 Good Choice
 Good Service

Please mention this journal when replying

Access facilities	Connectors	Lamps	Semi-conductors
Aerosols	Discounts	Meters	Solder tools
Batteries	Electrolytics	Opto-electronics	Switches
Boxes	Ferrites	Pot cores	Tools
Breadboards	Grommets	Potentiometers	Transformers
Capacitors	Hardware	Quantity prices	Vero products
Computers and Equipment	I.Cs.	Relays	Visa facilities
	Knobs	Resistors	Zener diodes

ELECTROVALUE LTD. 28 St. Jude's Road, Englefield Green, Egham, Surrey, TW20 0HB. Egham 33603 (London 87: STD 0784). Telex 264475. Northern Shop (callers only), 680 Burnage Lane, Manchester (061-432 4945). EV Computing Shop, 700 Burnage Lane, Manchester (061-431 4866).

LOW COST DESOLDERING PUMP

- 230V Electric Desolder Pump
- Removable Cartridge for easy maintenance
- 2 Sizes interchangeable tips

● Low price (only £14.00 each + VAT)

NIETRONIX LIMITED

West End Trading Estate, Blackfriars Road, Nailsea, Bristol BS19 2DJ
 Tel. (0272) 856697
 Telex 44220

WW - 073 FOR FURTHER DETAILS

ROBOTICS!!

★ THE 1984 GREENWELD CATALOGUE ★

Now in the course of production, the 1984 GREENWELD catalogue will be published in November. It's Bigger, Brighter, Better, more components than ever before. With each copy there's discount vouchers, Bargain List, Wholesale Discount List, Bulk Buyers List, Order Form and Reply Paid Envelope. All for just £1. Order now for early delivery!

COMPUTER GAMES

Z901. Can you follow the flashing light/pulsating tone sequence of this famous game? Supplied as a fully working PCB with speaker (no case) plus full instructions. Only £4.95

Z902. Probably the most popular electronic game on the market - based on the old-fashioned pencil and paper battleship game, this computerized version has brought it bang up-to-date! We supply a ready built PCB containing 76477 sound effect chip, TMS1000 microprocessor chip, Rs, Cs etc. Offered for its components value only (board may be cracked or chipped), it's only £1.95. Instructions and circuit, 30p.

BULK BUYERS - LOOK!
 OUR LATEST LIST IS NOW READY - SEND FOR YOUR COPY NOW. LOW PRICES ON SEMIS AND PASSIVES

RIBBON CABLE

Special purchase of multicoloured 14-way ribbon cable - 40p/metre; 50m £18; 100m £32; 250m £65

"THE SENSIBLE 64"
 David Highmore's new book on the Commodore 64 now available. £5.95

NUTS, SCREWS, WASHERS & BOLTS
 Over 2 million in stock, metric, BA, self-tappers, etc. SAE for list.

MOTORIZED GEARBOX

These units are as used in a computerized tank, and offer the experimenter in robotics an opportunity to buy the electromechanical parts required in building remote-controlled vehicles. The unit has 2 x 3V motors, linked by a magnetic clutch, thus enabling turning of the vehicle, and a gearbox contained within the black ABS housing, reducing the final drive speed to approx. 50 rpm. Data is supplied with the unit showing various options on driving the motors, etc. £5.95. Suitable wheels also available: 3" dia. plastic with black tyre, drilled to push-fit on spindle. 2 for £1.30 (limited qty.), 3" dia. aluminium disc 3mm thick, drilled to push-fit on spindle, 2 for 69p.

MICROPROCESSOR PANELS

Z903 Panel 240x165 with 6802uP, 6821 PIA, 6850 ACIA, 4040, 4512x2, LS00, LS367x2, 555x2 all in sockets, plus Rs, Cs, plugs, sockets, etc. also 12V sub-min relay. £5.95

Z904 Panel 240x165mm with 6x4099, 723 all in sockets, 14x8A 200V triacs, 45 small signal transistors, 14 R/C networks, 30x1N4001, sub-min relay, Rs, Cs, etc. £4.95

Z905 Fanned black ally heatsink 125x198x23mm with 4x2N3055 and 4x0R25 5W Rs. Only £2.50

ALL PRICES INCLUDE VAT; JUST ADD 60p P&P

GREENWELD

443G Millbrook Road, Southampton SO1 0HX

WW - 034 FOR FURTHER DETAILS

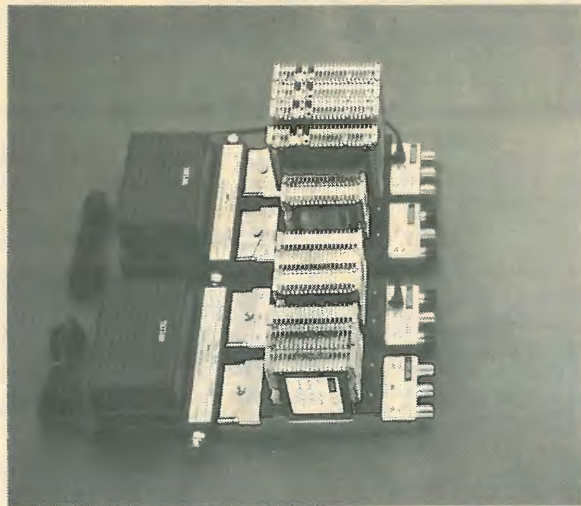
ADD 15% VAT TO ALL PRICES Carriage and Packing extra

Electronic Brokers Ltd., 61/65 Kings Cross Road, London WC1X 9LN. Tel: 01-278 3461. Telex 298694

Electronic Brokers

WW - 001 FOR FURTHER DETAILS

CABLE T.V. HEAD END AND REPEATER AMPLIFIERS



CHANNEL CONVERTERS

TCUU UHF-UHF Single channel converter. Gain adjustable +2dB-16dB. Maximum output +26dBmV. Crystal controlled oscillator. Power requirement 14V 25mA. (Quote Channels required).
 As TCUV except UHF to VHF converter. (Quote Channels required).
 TCUV As TCUU except VHF to UHF converter. (Quote Channels required).

SINGLE CHANNEL AUTOMATIC GAIN CONTROL AMPLIFIERS

TAG4863 Gain 48dB, maximum output 63dBmV. Regulator + or - 8dB. Power requirement 14V 210mA.
 TAG4063 Gain 40dB, maximum output 64dBmV. Regulator + or - 16dB. Power requirement 14V 210mA.

SINGLE CHANNEL AMPLIFIERS

TSS4663 Gain 28-46dB adjustable. Maximum output 63dBmV. Power requirement 14V 170mA.
 TSS3062 Gain 12-30dB adjustable. Maximum output 62dBmV. Power requirement 14V 26mA.

DRIVER AMPLIFIERS

TS1030FM FM driver amplifier. 10dB Gain. Maximum output 30dBmV. Power requirement 14V 10mA.
 TS1030B3 Band III driver amplifier. 10dB gain. Maximum output 30dBmV. Power requirement 14V 10mA.
 TS1030UHF UHF driver amplifier. 10dB gain. Maximum output 30dBmV. Power requirement 14V 10mA.
 TS1040S Single channel UHF driver amplifier. 10dB gain. Maximum output 40dBmV. Power requirement 14V 10mA. (Quote channel required).

DISTRIBUTION AMPLIFIERS

TE2042 Domestic distribution amplifier. 1 input, 1 output. Gain 20dB. Maximum output 42dBmV.
 TE1638 Domestic distribution amplifier. 1 input, 2 outputs. Gain 16dB. Maximum output: 2 at 38dBmV.
 TS2046 40-860MHz. Gain 20dB UHF, 18dB VHF. Maximum output 46dBmV.
 TS2846 40-860MHz. Gain 28dB UHF, 22dB VHF. Maximum output 46dBmV.
 TS2845 Separate UHF/UHF inputs. Gain 28dB UHF, 22dB VHF. Maximum output 46dBmV.
 TS2054 40-860MHz. Gain 20dB UHF, 18dB VHF. Maximum output 54dBmV.
 TS2060 40-860MHz. Gain 20dB UHF, 18dB VHF. Maximum output 60dBmV.
 TS5565 Gain 55dB UHF, 55dB VHF, 42dB FM. Maximum output 65dBmV.

REPEATER AMPLIFIERS

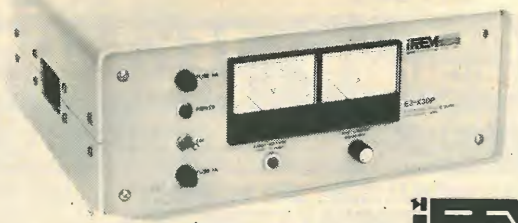
TSC3660 Repeater. Gain 16-36dB UHF, 10-30dB VHF. Maximum output 60dBmV.
 TSC3665 Repeater. Gain 16-36dB UHF, 10-30dB VHF. Maximum output 65dBmV.
 TSC3060 Repeater. Gain 10-30dB VHF. Maximum output 60dBmV.

QUALITY AT LOW COST
TAYLOR BROS (OLDHAM) LTD
 LEE STREET, OLDHAM - TEL. 061-652 3221 - TELEX 669911

WW - 079 FOR FURTHER DETAILS

ELECTRONIC POWER UNITS FOR XENON ARC AND MERCURY ARC LAMPS

UNITS AVAILABLE FOR LAMPS RANGING FROM 75 TO 6500 WATTS.
 Lamp housings and lens systems manufactured as standard off the shelf models or to specific design.



K. T. Manners Design Ltd.

P.O. Box 936, London, W4 4NW Telephone: 01-994 7155. Telex: 28604

WW - 082 FOR FURTHER DETAILS

EASIBINDERS Quick, neat and easy!

It's so easy and tidy with the Easibind binder to file your copies away. Each binder is designed to hold six issues and is attractively bound and blocked with the WIRELESS WORLD logo. Price U.K. £4.30 including postage, packing and V.A.T. Overseas orders add 35p per binder. Nat. Giro No. 5157552. Please allow 3/4 weeks for fulfillment of order. Payment by ACCESS/BARCLAYCARD/VISA. Send coupon below detailing credit card no. and signature. Why not place your order now? Send the completed coupon below with remittance payable to: **Easibind, 42 Hoxton Square, London N1 6NS**

Order Form WIRELESS WORLD

I enclose P.O./cheque value for binders
 Years required
 BLOCK LETTERS PLEASE
 Name
 Address
 Date Registration No. 735718

LOOK AHEAD!
 WITH MONOLITH MAGNETIC TAPE HEADS
VIDEO HEAD REPLACEMENT KIT
 DOES YOUR VCR GIVE WASHED OUT NOISY PICTURES - IT'S PROBABLY IN NEED OF A NEW HEAD - FAST FROM OUR EX-STOCK DELIVERIES.
 SAVE ££s ON REPAIR CHARGES.
 OUR UNIVERSAL REPLACEMENT VIDEO HEADS FIT ALL MODELS OF VHS OR BETAMAX VCRs. FOLLOWING OUR REPLACEMENT GUIDE AND WITH A PRACTICAL ABILITY, YOU CAN DO THE WHOLE JOB IN YOUR OWN HOME WITH OUR HEAD REPLACEMENT KIT.



ALL YOU NEED!

KIT CONTAINS - NEW VIDEO HEAD, 5 CLEANING TOOLS, HEAD CLEANING FLUID, CAN OF AIR BLAST, INSPECTION MIRROR, ANTI-STATIC CLOTH, VHS/BETAMAX MAINTENANCE MANUAL, CROSS HEAD SCREWDRIVER, HANDLING GLOVES, MOTOR SPEED DISC, SERVICE LABEL, HEAD REPLACEMENT GUIDE.
VHS KITS £53.25, BETAMAX KIT £65.25. Prices include P&P and VAT
HOW TO ORDER: PLEASE STATE CLEARLY THE MAKE AND MODEL OF YOUR RECORDER. THERE ARE TWO VERSIONS OF THE VHS HEAD AND YOUR ORDER CAN BE PROCESSED FASTER IF YOU CHECK THE SIZE OF THE CENTRE HOLE OF THE HEAD WHICH WILL BE EITHER 5mm OR 15mm DIAMETER.
CATALOGUE: For our full Catalogue of Replacement Video and Audio Cassette/Reel to Reel Heads, Motors, Mechanisms, etc. Please forward 50p P&P.
THE MONOLITH ELECTRONICS CO. LTD.
 5-7 Church Street, Crewkerne, Somerset TA18 7HR, England
 Telephone: Crewkerne (0460) 74321
 Telex: 46306 MONLTH G

WW - 042 FOR FURTHER DETAILS

VALVES		Minimum Order £1	VALVES VAT IS INCLUDED								
A1065	1.40	EF89	1.05	PFL200	1.10	Z800U	3.45	6B07A	0.85	6Z4	0.70
A2283	8.60	EF91	1.50	Z801U	3.75	6B07B	4.80	6D6	4.80	9D6	2.90
A2900	13.75	EF92	2.90	Z803U	15.00	6B07C	1.80	11E2	19.50	12A6	0.70
ARB	0.75	EF95	0.85	PL81	0.85	Z900T	2.45	6BW7	1.80	12AT6	0.70
ARP3	0.70	EF96	0.80	PL82	0.70	1A3	0.85	6C4	0.50	12AU7	0.80
ATP4	3.90	EF98	0.80	PL83	0.60	1L4	0.50	6C6	0.55	12AV6	0.95
B12H	0.80	EF184	0.80	PL84	0.95	1R5	0.80	6CH6	8.20	12AX7	1.95
CY31	1.40	EF210	1.85	PL504	1.00	1S4	0.45	6CL6	2.75	12AX7	1.95
DAF96	0.70	EFL200	1.85	PL508	2.40	1S5	0.45	6CW4	8.50	12BA6	0.90
DE122	28.50	EH90	0.85	PL509	5.65	1T4	0.45	6CX8	3.80	12BE6	1.25
DF56	0.70	EL32	1.10	PL519	5.80	1U4	0.80	6CY5	1.15	12BH7	1.95
DH76	0.75	EL34	1.80	PL802(SE)	2.95	1X2B	1.40	6D6	0.70	12E1	18.95
DL92	0.60	2.90*	0.70	PY80	0.70	2X2A	2.50	6F6	1.80	12J5GT	0.85
DY86/87	0.65	EL37	5.20	PY81/800	0.85	3A4	0.70	6F6GB	1.10	12K7GT	0.70
DY802	0.70	EL82	0.70	PY82	0.65	3AT2	2.40	6F7	2.80	12K8GT	0.80
E32CC	2.80	EL84	0.80	PY88	0.60	3B28	12.00	6F8G	0.85	12L6GT	0.60
E180F	7.70	EL86	0.95	PY800A	2.95	6F8	0.50	6F14	1.50	12Q7GT	0.80
E182CC	6.25	EL90	1.00	QV03/10	3.20	3D6	19.50*	6F12	1.15	12SC7	0.65
EA76	2.25	EL91	4.20	3D22	23.00	6F15	1.30	12SH7	0.65	12SJ7	0.70
EAB80	0.80	EL95	0.80	3E29	19.00	6F17	3.20	12SQ7	1.45	12SQ7GT	0.85
EB91	0.80	EL504	1.70	3S4	0.80	6F23	0.75	12Y4	1.75	12SQ7GT	0.85
EBC33	1.15	EL803	5.90	QV03-25A	21.50	6F33	1.80	6F33	10.50	13D3	2.80
EBC90	0.90	EL509	3.95	QV06/40A	5U4G	0.75	6FH8	12.50	13D5	2.90	
EBF80	0.80	EL821	8.20	5V4G	0.75	6GA8	1.95	13D5	2.80		
EBF83	0.80	EL822	9.95	6V3GT	0.95	6GH8A	1.95	19A05	0.85		
EBF89	0.80	EL80(SE)	2.90	6H6	1.80	6J5	2.30	19G3	1.80		
EC52	0.65	EM80	0.85	SP61	1.80	6J6	5.85	19G6	5.50		
EC91	4.40	EM87	1.30	TT22	23.00	5Z4GT	1.05	19H5	39.55		
EC92	0.85	EY51	0.95	U4C41	1.20	6/30L2	1.05	20D1	0.80		
EC93	0.85	EY81	0.95	UAB80	0.75	6AB7	0.75	20P1	0.65		
ECC82	0.60	EY86/87	0.60	UAF42	1.20	6AC7	0.70	20E1	1.30		
ECC83	0.65	EY88	0.65	UAF80	0.70	6AG5	0.60	20P1	0.65		
ECC84	0.80	EZ80	0.70	UBF89	0.70	6AH6	1.15	25L6GT	0.75		
ECC88	0.80	EZ81	0.70	UBF89	0.70	6AH6	1.15	25Z4G	0.75		
ECC89	0.80	GN44	5.90	UCC84	0.85	6AK5	0.85	35W4	0.80		
ECC189	0.95	GY501	1.30	UCC85	0.70	6AK8	0.55	6K6	4.50		
ECC804	0.90	GZ32	1.05	UCF80	1.30	6ALS	0.80	6L6M	2.80		
ECF80	0.85	GZ33	4.20	UCH42	1.85	6ALS5W	0.85	6L6GC	2.85		
ECF82	0.85	GZ34	2.75	UCH81	0.75	6AM5	1.20	6L6GT	1.25		
ECF801	1.05	GZ37	3.95	UCL82	0.95	6AM6	4.50	6L8	0.70		
ECF84	2.25	KT88	7.80	UF41	1.35	6AN8A	2.40	6L020	1.30		
ECH42	1.20	KT88	11.20*	UF80	0.95	6AQ4	3.40	6L7G	0.95		
ECH81	0.70	KT88	10.50	UF85	0.95	6AQ5	1.00	6SA7	1.00		
ECH84	0.80	13.80*	0.95	UL84	0.95	6AQ5W	1.80	6SG7	1.15		
ECL80	0.70	MH4	2.50	UM80	0.90	6AS6	1.15	6SJ7	1.05		
ECL82	0.75	ML6	2.50	UM84	0.70	6AT6	0.50	6SK7	0.95		
ECL85	0.80	N78	9.90	UY82	0.70	6AU6	0.80	6SL7GT	0.85		
ECL86	0.90	OAZ	0.70	UY85	0.85	6AV6	0.85	6SN7GT	0.80		
EF37A	2.15	OB2	0.80	VR105/30	1.25	6AX4GT	1.30	6SQ7	0.95		
EF39	1.25	PCL82	0.95	VR150/30	1.35	6AX5GT	1.30	6V6G	1.50		
EF80	0.80	PCL84	0.90	XG6	0.55	6AX6	0.55	6V6GT	0.95		
EF83	1.75	PCL86	0.75	XG1M	1.70	6BE6	0.80	6X4	0.95		
EF85	0.60	PCL805/85	0.95	Z759	19.00	6BG6G	1.60	6X5GT	0.85		
EF86	0.75	PD500/510	4.30	Z749	0.75	6BJ6	1.30	6Y6G	0.90		

VALVES AND TRANSISTORS
 Telephone enquiries for valves, transistors, etc.: retail 749 3934, trade and export 743 0899.
FIELD TELEPHONE, CABLE TYPE D10
 HARNESS "A" & "B" CONTROL UNITS "A" "R" "J1" "J2" Microphones No 5, 6, 7 connectors, frames, carrier sets, etc.
FIELD TELEPHONES TYPE "J"
 Tropical, in metal cases.
10-line MAGNETO SWITCHBOARD. Can work with every type of magneto telephones.
PRICES MAY VARY
POSTAGE: £1-£3 45p; £3-£5 55p; £5-£10 60p; £10-£15 80p; £15-£20 100p.
COLOMOR (ELECTRONICS LTD.) 170 Goldhawk Rd, London W12
 Tel. 01-743 0899 or 01-749 3934. Open Monday to Friday 9 a.m.-5.30 p.m. ww-20

GAIN ANTENNAS FOR PMR

Windsor Range 60-500MHz

ANTENNAS

LOW BAND 3/8λ HIGH GAIN
 SMC-370F 66-74 MHz } Fold over
 SMC379F 71-79 MHz } bases whips
 SMC383F 78-88 MHz }

HIGH BAND 7/8λ HIGH GAIN
 SMC77FL 160-166 MHz Foldover
 SMC77FH 166-172 MHz Foldover
 or the sprung versions
 SMC77SL 160-166 MHz
 SMC77SH 166-172 MHz

HIGH BAND 5/8λ
 SMC910 Fixed
 SMC920 Foldover
 SMC930 Sprung

HIGH BAND 1/2λ
 SMC910 Fixed
 SMC920 Foldover
 SMC930 Sprung

UHF 5/8λ + 5/8λ COLINEAR 6DBI GAIN
 SMC582H 454-464 MHz
 SMC582L 427-441 MHz

All antennas in the WINDSOR RANGE are fully interchangeable (on any base option) giving complete and easy choice from the wide range available. Unique low band 3/8 being probably the first improvement on the 1/2 wave low band ever. All antennas are available in commercial quantities.

BASE OPTIONS

WING MOUNT
 GUTTER MOUNT
 MAGNETIC MOUNT
 TRUNK MOUNT
 BODY MOUNT

SOUTH MIDLANDS COMMUNICATIONS LTD.
 RUMBRIDGE ST., TOTTON Telex: 477351 SMCMM G
 SOUTHAMPTON SO4 4DP Tel: Totton (0703) 867333
 WW - 069 FOR FURTHER DETAILS

Electronic Brokers Test Equipment DISTRIBUTORS

PHILIPS

Philips PM 2517X Handheld DMM £172
 Multi-function, 4 digit autoranging with manual override. True RMS to 10Amp. Battery operation. Optional accessories extend measurement capabilities.

Philips PM 3207 15MHz Oscilloscope £385
 Tough light-weight portable for field service work with big screen. Dual trace, TV triggering, X-Y operation, add and invert.

Philips PM 5107 Function Generator £295
 Designed for audio and educational applications. Low distortion LF generator 10Hz to 100kHz, sine and square waveforms. TTL output.

Philips PM5503 Pattern Generator £139
 Small, light-weight for TV servicing. Five different test patterns for colour and monochrome. Tone for audio checking. Video output.

Philips PM 6667/01 Frequency Counter £290
 High resolution 7 digit computing counter from 10Hz to 120MHz. Auto ranging on all waveforms. PM 6668/01 (£425) performs to 1GHz.

FLUKE

New Fluke 70 series Analog/Digital Handheld Meters
 All meters have 3 year warranty, all feature measurement functions of volts, ohms, amps and diode test.

JF 73 £65 DC accuracy 0.7% Autoranging
JF 75 £75 DC accuracy 0.5% Auto/manual ranging
JF 77 £95 DC accuracy 0.3% Touch hold function Multi purpose holster

HAMEG

Hameg HM 103 10MHz Oscilloscope £158
 Single trace, suitable for field service or home constructor. Two year warranty applies to this and all Hameg instruments.

Hameg HM 203-4 20MHz Oscilloscope £264
 Dual trace for general purpose applications in industry and education. X-Y operation, TV triggering, add/invert and component tester.

HAMEG

Hameg HM 204 20MHz Oscilloscope £365
 High performance instrument with sweep delay. Versatile triggering to 50MHz, variable hold off control, Z modulation and internal illuminated graticule.

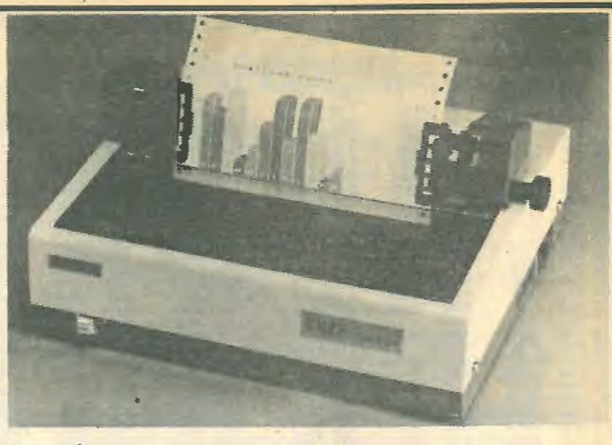
I.C.E. Microtest 80 Multimeter £19
 Compact meter in robust case. 40 ranges of measurement with high sensitivity and accuracy. Large range of inexpensive accessories.

ADD 15% VAT TO ALL PRICES Carriage and Packing extra
Electronic Brokers Ltd., 61/65 Kings Cross Road, London WC1X 9LN. Tel: 01-833 1166. Telex 298694
 Electronic Brokers
 WWW - 602 FOR FURTHER DETAILS

NEW PRODUCT

BX80 COLOUR MATRIX PRINTER

Especially designed for use with the BBC Microcomputer



£495+VAT

Colour printout is quickly assimilated, makes graphics more understandable and is an ideal medium for the presentation of complex data or concepts.

Prints in 7 colours on plain paper. Colour screen printing in ALL modes (inc. mode 7 Teletext). Uses RS423 output (cable supplied). Printer RS423 input has 2.5K bytes buffer. In mode 7 Teletext, printer has a 2 page store with printout size option. 125 cps primary colour speed for listing, etc. Screen dump listing supplied.

NEW model VRX80 black/white viewdata printer, 3.5K byte buffer, £425+VAT

also Black and White printer interface for BBC micro-Epson MX*/RX/FX80 3.5K byte buffer: all modes inc. mode 7 Teletext. Uses RS423 o/p. Board, RS423 cable + listing £95+VAT
Apple II parallel interface card for MX*/RX/FX80 gives hi res screen dumps, etc. C/w cable £59+VAT
Ribbons for MX/RX80 £5.50+VAT
Ribbons for BX80 £5+VAT
* MX80 requires printer ROM change, add £15+VAT

INTEGREX LIMITED

Portwood Industrial Estate, Church Gresley
Burton-on-Trent, Staffs DE11 9PT
Burton-on-Trent (0283) 215432. Telex: 377106



B. BAMBER ELECTRONICS

Rank Pullin Airport Weapon Detector Type 3 Walk-through Cabinet. Complete and good working order. £150 plus VAT.
Marconi HF Spectrum Analyser Type OA1094/S complete with Frequency Converter Type TM644B and mounted on trolley, 0-30 MHz £90 plus VAT.
Sytron Donner Spectrum Analyser Model 805 200 Hz - 1.6 MHz, £450.
Marconi AM Signal Generator Type TF 801D/8S 10 - 485 MHz, £95 plus VAT.
Marconi Autotest Type OE 1483 Auto Testing Equipment for the production testing of radio telephone equipment. The equipment consists of a general-purpose controller type OA 1444/25 and three instrumentation racks type OA 1445/28, -/29 and -/30. Units housed in the three racks are as follows:
OA 1445/28 - Modulation Meter, TF 2301, R.M.S. AC/DC Converter TF 2607, Power Meter OA 7024/4, Access Panel TK 7022/1, Power Connections Panel TK 7055, Power Supply Programmer TM 9774, DC Power Supply No. 1 TM9780/4, Attenuator Bird model 8322, LF Generator Wavetek 155.
OA 1445/29 - Frequency Selection Unit TK 7047, Peripheral Logic Unit TM 9765/S, Random Access Switch TM 9770, UHF Attenuator TF 2168, DVM TM 9767 (modified Solatron 1420.2), Synthesizer Rohde & Schwarz ND 100 M, Modulator Rohde & Schwarz MAF, Synthesizer Rohde & Schwarz SMDV.
OA 1445/30 - DVM. Interface Unit TM 9764, Limits Comparator TF 2412/2, Printer TM 9768/1, Power Supply Programmer No. 2 TM 9774, DC Power Supply TM 9780/16, DC Power Supply Hewlett Packard HP 6268A.
All units complete with service manuals. Offers invited. Radioisotope RS 21 Meteorological Balloon Transmitter with Water Activated Battery. £5 each plus VAT.
Pye Industrial pH Monitor Model 539 complete with Technical Manual, £30 plus VAT.
Marconi AM/FM Signal Generator Type TF 995A/5, £250 plus VAT.
Charles Austin Two-Stage Air Pump Type F65 DEH, complete with pressure regulator, 240 vac, chassis mounted with hoses, etc., brand new and boxed, £45 plus VAT.
Tektronix Square Wave Generator Type 107 £25 plus £5 p.p. plus VAT.
Rohde & Schwarz A.F. Wave Analyzer Type BN 48302 Good secondhand equipment always wanted for cash

£45 plus £15 p.p. plus VAT.
Rohde & Schwarz Enograph - G Type BN1198/25 £60 plus £15 p.p. plus VAT.
Pye Europa MF5M High Band Sets, ideal for 2 M. 5 watt output 6 Ch, complete but less mike and cradle with circuit diagrams, £60 each plus VAT.
Pye Reporter MF6 AM High Band Sets, single Ch, complete but less speaker with circuit diagrams, £60 plus VAT.
Pye Motafone MF5AM Mid Band 6 Ch, good condition with circuit diagram, £15 plus VAT.
Pye Westminster W15AMD Mid Band Single Ch, complete but less speaker, mike and cradle, £45 plus VAT.
Pye Westminster W15AMD Low and High Band Sets, complete but less speaker, mike and cradle, £50 plus VAT.
Pye Westminster W30AM Low Band Sets, boot mounted, 30 W output, complete but less speaker, mike and leads, £25 plus VAT.
Pye Olympic M201 AM High Band, complete but less mike, speaker and cradle. With circuit diagrams. £40 plus VAT.
Pye Cambridge AM10D Low Band, few only £15 plus VAT.
Pye Cambridge AM10B High Band, few only, £10 plus VAT.
Pye Base Station F20 Low Band, £40 plus VAT.
Pye Base Station F30 High Band, £180 plus VAT.
Pye Base Station F401 High Band, £220 plus VAT.
Pye Base Station F9U UHF. Remote. £90 plus VAT.
Pye RTC Controller units for remotely controlling VHF and UHF fixed station radio telephones over land lines. £10 plus VAT.
Pye PC1 Radiotelephone controller, good condition, £50 plus VAT.
Pye BASF Chromidioxid Video Cassette Tape for use with Philips N1500/1700 VCR. LVC30+5. 36 min. long play. £5 each plus 50p. p.p. plus VAT.
Pye Pockettone Type PF5, UHF 'T' Band, complete with battery, good condition, £45 plus VAT.
Pye Pockettone PF5 Battery Charger Type BC16A, £25 plus VAT.
Pye Pockettone PF1 UHF Receiver, 440-470 MHz, single channel, int. speaker and aerial. Supplied complete with rechargeable battery and service manual. £6 each plus £1 p.p. plus VAT.
Ni-Cad Batteries for Pye PF1 rx, used but good condition. £2 each, PF1 tx Batteries, £3 each plus VAT.

PLEASE NOTE: All sets are sold less crystals unless otherwise stated. Carriage on RT equipment - Mobiles £2 each. Base stations £15 each. Red Star available at cost.

SEMICONDUCTORS & VALVES p.p. 50p per order. PLEASE ADD VAT. 1N4148 10 for 25p, 741 4 for £1, 555 4 for £1, 280-P10 £1.85, Z80-CTC £1.85, BC108 4 for 50p, BC109 4 for 50p, BC113 4 for 50p, BC148 4 for 50p, BC149 4 for 50p.

QVQ03 - 10 ex-equip. £1.20, QVQ06 - 10 new £2.50, QVQ06 - 20a ex-equip £5, QVQ06 - 40a £15, QVQ06 - 40a ex-equip. £10.

VIDICON SCAN SLIPS 1" Transistor type but no details, complete with vidicon base. £3.50 each plus 50p p.p. plus VAT.

Mains isolating transformer, 500VA 240V input, 240V C.T. output, housed in metal box. £15 each plus £6 p.p. plus VAT.

Mains isolating transformer, 240V tapped input, 240V 3 amp, plus 12V 0.5 amp output, £20 each plus £6 p.p. plus VAT.

Garrard Car Cassette Player Mechanisms, 12 V motor, stereo head, brand new, £2.50 each plus 50p p.p. plus VAT.

Cigar Lighter Plug with lead. £1 each p.p. plus VAT.

IC Test Clips, 28 way and 40 way, gold plated, £2 each plus 30p p.p. plus VAT.

80 amp Alternator and Generator Noise Filters for use in vehicles, £1 each plus 50p p.p. plus VAT.

Computer Grade Electrolytic Capacitors, screw terminals, 25000 mfd., 33 volt, brand new, £1 each plus 50p. p.p. plus VAT.

Mains Transformers 220 v Pri. 36 v @ 1.5 amp. Sec. £1 each plus 50p p.p. plus VAT.

BASF Chromidioxid Video Cassette Tape for use with Philips N1500/1700 VCR. LVC30+5. 36 min. long play. £5 each plus 50p. p.p. plus VAT.

Pye Pockettone Type PF5, UHF 'T' Band, complete with battery, good condition, £45 plus VAT.

Pye Pockettone PF5 Battery Charger Type BC16A, £25 plus VAT.

Pye Pockettone PF1 UHF Receiver, 440-470 MHz, single channel, int. speaker and aerial. Supplied complete with rechargeable battery and service manual. £6 each plus £1 p.p. plus VAT.

Ni-Cad Batteries for Pye PF1 rx, used but good condition. £2 each, PF1 tx Batteries, £3 each plus VAT.

All prices quoted exclude p/p and vat unless otherwise stated

RESISTORS	2.2	100	11p	Single sided	2N2905	28p	40411	3.95	BC547A	14p
CARBON FILM	2.2	350	30p	100 x 160 2.10	2N2905A	29p	40412	90p	BC547B	14p
5% HI-STAB	100	25	10p	100 x 220 2.40	2N2906	30p	40822	1.00	BC548	12p
LOW NOISE	3.3	63	12p	233 x 220 5.20	2N2907	26p	40871	1.00	BC548B	14p
1/4W E24	4.7	16	8p	100 x 160 2.20	2N2907A	26p	40872	1.00	BC549	14p
1/2W E24	4.7	25	9p	100 x 200 2.20	2N2924	25p	AC127	32p	BC549C	15p
2W E24	4.7	63	12p	203 x 114 2.90	2N2925	15p	AC128	32p	BC550	15p
METAL FILM	10	10	12p	233 x 220 5.20	2N3055	60p	AC129	32p	BC550C	15p
ULTRA STABLE	10	40	14p	Developer for	2N3055H	1.20	AC152	45p	BC557	15p
0.4W EXTRA	10	100	16p	use Sodium	2N3055H	1.20	AC152	45p	BC557A	16p
LOW NOISE	10	350	55p	Hydroxide	2N3250	36p	AC153	55p	BC558	16p
100 to 1MHz	22	25	11p	500 ml	2N3250	36p	AC153K	55p	BC558B	16p
2% E24	47	63	14p		2N3439	99p	AC178	77p	BC559	15p
1% E24	22	25	11p		2N3440	80p	AC178K	37p	BC559B	15p
LOW OHMIC	47	100	21p		2N3441	1.25	AC187	25p	BC559B	15p
GLAZE 1W	47	25	14p		2N3442	1.35	AC187K	25p	BC560	15p
E24 11p	47	63	28p		2N3445	4.80	AC188	28p	BC560C	15p
2 to 3W 0.22Ω	100	100	22p		2N3446	6.09	AC188K	40p	BC560C	15p
to 330Ω 28p	100	63	25p		2N3447	5.72	AF239	55p	BC670	16p
4 to 7W 0.47Ω	100	100	30p		2N3448	8.56	BC670	16p	MJ800	46p
to 6K 8 39p	220	10	16p		2N3468	1.00	BC107	10p	MJ900	46p
10 to 11W 1Ω	220	20	17p		2N3512	1.08	BC107A	12p	MJ1000	2.50
to 33K 37p	220	40	25p		2N3512	1.08	BC107A	12p	MJ1001	3.00
	220	60	33p		2N3512	1.08	BC107A	12p	MJ1002	3.50
	220	100	50p		2N3512	1.08	BC107A	12p	MJ1003	4.00
	220	150	75p		2N3512	1.08	BC107A	12p	MJ1004	4.50
	220	200	100p		2N3512	1.08	BC107A	12p	MJ1005	5.00
	220	250	125p		2N3512	1.08	BC107A	12p	MJ1006	5.50
	220	300	150p		2N3512	1.08	BC107A	12p	MJ1007	6.00
	220	350	175p		2N3512	1.08	BC107A	12p	MJ1008	6.50
	220	400	200p		2N3512	1.08	BC107A	12p	MJ1009	7.00
	220	450	225p		2N3512	1.08	BC107A	12p	MJ1010	7.50
	220	500	250p		2N3512	1.08	BC107A	12p	MJ1011	8.00
	220	550	275p		2N3512	1.08	BC107A	12p	MJ1012	8.50
	220	600	300p		2N3512	1.08	BC107A	12p	MJ1013	9.00
	220	650	325p		2N3512	1.08	BC107A	12p	MJ1014	9.50
	220	700	350p		2N3512	1.08	BC107A	12p	MJ1015	10.00
	220	750	375p		2N3512	1.08	BC107A	12p	MJ1016	10.50
	220	800	400p		2N3512	1.08	BC107A	12p	MJ1017	11.00
	220	850	425p		2N3512	1.08	BC107A	12p	MJ1018	11.50
	220	900	450p		2N3512	1.08	BC107A	12p	MJ1019	12.00
	220	950	475p		2N3512	1.08	BC107A	12p	MJ1020	12.50
	220	1000	500p		2N3512	1.08	BC107A	12p	MJ1021	13.00
	220	1050	525p		2N3512	1.08	BC107A	12p	MJ1022	13.50
	220	1100	550p		2N3512	1.08	BC107A	12p	MJ1023	14.00
	220	1150	575p		2N3512	1.08	BC107A	12p	MJ1024	14.50
	220	1200	600p		2N3512	1.08	BC107A	12p	MJ1025	15.00
	220	1250	625p		2N3512	1.08	BC107A	12p	MJ1026	15.50
	220	1300	650p		2N3512	1.08	BC107A	12p	MJ1027	16.00
	220	1350	675p		2N3512	1.08	BC107A	12p	MJ1028	16.50
	220	1400	700p		2N3512	1.08	BC107A	12p	MJ1029	17.00
	220	1450	725p		2N3512	1.08	BC107A	12p	MJ1030	17.50
	220	1500	750p		2N3512	1.08	BC107A	12p	MJ1031	18.00
	220	1550	775p		2N3512	1.08	BC107A	12p	MJ1032	18.50
	220	1600	800p		2N3512	1.08	BC107A	12p	MJ1033	19.00
	220	1650	825p		2N3512	1.08	BC107A	12p	MJ1034	19.50
	220	1700	850p		2N3512	1.08	BC107A	12p	MJ1035	20.00
	220	1750	875p		2N3512	1.08	BC107A	12p	MJ1036	20.50
	220	1800	900p		2N3512	1.08	BC107A	12p	MJ1037	21.00
	220	1850	925p		2N3512	1.08	BC107A	12p	MJ1038	21.50
	220	1900	950p		2N3512	1.08	BC107A	12p	MJ1039	22.00
	220	1950	975p		2N3512	1.08	BC107A	12p	MJ1040	22.50
	220	2000	1000p		2N3512	1.08	BC107A	12p	MJ1041	23.00
	220	2050	1025p		2N3512	1.08	BC107A	12p	MJ1042	23.50
	220	2100	1050p		2N3512	1.08	BC107A	12p	MJ1043	24.00
	220	2150	1075p		2N3512	1.08	BC107A	12p	MJ1044	24.50
	220	2200	1100p		2N3512	1.08	BC107A	12p	MJ1045	25.00
	220	2250	1125p		2N3512	1.08	BC107A	12p	MJ1046	25.50
	220	2300	1150p		2N3512	1.08	BC107A	12p	MJ1047	26.00
	220	2350	1175p		2N3512	1.08	BC107A	12p	MJ1048	26.50
	220	2400	1200p		2N3512	1.08	BC107A	12p	MJ1049	27.00
	220	2450	1225p		2N3512	1.08	BC107A	12p	MJ1050	27.50
	220	2500	1250p		2N3512	1.08	BC107A	12p	MJ1051	28.00
	220	2550	1275p		2N3512	1.08	BC107A	12p	MJ1052	28.50
	220	2600	1300p		2N3512	1.08	BC107A	12p	MJ1053	29.00
	220	2650	1325p		2N3512	1.08	BC107A	12p	MJ1054	29.50
	220	2700	1350p		2N3512	1.08	BC107A	12p	MJ1055	30.00
	220	2750	1375p		2N3512	1.08	BC107A	12p	MJ1056	30.50
	220	2800	1400p		2N3512	1.08	BC107A	12p	MJ1057	31.00
	220	2850	1425p		2N3512	1.08	BC107A	12p	MJ1058	31.50
	220	2900	1450p		2N3512	1.08	BC107A	12p	MJ1059	32.00
	220	2950	1475p		2N3512	1.08	BC107A	12p	MJ1060	3

MANUFACTURERS & DISTRIBUTORS

BERG low profile 14 pin dual in line IC Socket manufactured from glass-filled polyester to UL94V-0. £7 for 100, £31 for 1,000, £256 for 5,000, £460 for 10,000, £2,100 for 50,000, £3,700 for 100,000. Sample 10 sent for £1.20 + 30p P&P (£1.37 inc. VAT).

BERG low profile 16 pin dual in line IC Socket as above £8 for 100, £36 for 500, £65 for 1,000, £295 for 5,000, £530 for 10,000, £2,390 for 50,000, £4,300 for 100,000. Sample 10 sent for £1.40 + 30p P&P (£1.96 inc. VAT).

(For larger quantities telephone for special quotation)

HIGH POWER SILICON BRIDGE RECTIFIERS. 25 amp 600V. Single hole fixing 250 (1/4in) push-on connector terminals, manufactured by IR. £20 for 10, £90 for 50, £175 for 100, £800 for 500, £1,450 for 1,000. Special quotation for larger quantities. Sample sent for £2.50 + 25p P&P (£3.16 inc. VAT).

ZENER DIODES manufactured by Thompson C.F. all bandolered BZX79 C18-BZX79C20-BZX83-C18-BZX83-C20. £12 per 1,000 of one type, £15 per 1,000 assorted sample, 100 sent for £3 + 25p P&P (£3.74 inc. VAT).

WIRE CUTTER & STRIPPER, tempered steel blades spring loaded with moulded red PVC handles. Cutting and stripping adjustable up to 6.0mm. Overall length 135mm. Weight 64 grms. 10 for £15, 25 for £34, 50 for £63, 100 for £116, 500 for £252, 1,000 for £1,000. Sample pair sent for £1.75 + P&P (£2.60 inc. VAT).

RECTANGULAR AMBER NEON INDICATORS 240V AC 0.3W fit most standard cut outs. Connection by 250 (1/4") push-on connectors. £11.50 for 50, £21 for 100, £95 for 500, £171 for 1,000, £770 for 5,000. Sample 10 sent for £2.50 + 50p P&P (£3.45 inc. VAT).

ROUND RED NEON INDICATOR 240V AC 0.3W MT Hole dia. approx. 9.5mm. Bezel dia. approx. 12.5mm. Complete with heat resistant leads approx. 500mm in length fitted with 250 (1/4") push-on terminals. £14 for 50, £26 for 100, £117 for 500, £215 for 1,000, £987 for 5,000. Sample 10 sent for £3 + 50p P&P (£4.03 inc. VAT).

METAL FILM RESISTOR TYPE F24 manufactured by C.G.S. semi-precision with a standard tolerance of ± 2% and a temperature co-efficient of better than 100 ppm/°C. We have a full range in stock from 100R to 1 MΩ. All bandolered. £2.50 per 1,000, any one value.

Terms c.w.o. Please add 5% to all orders for carriage plus 15% V.A.T. Export enquiries welcome. We find it impossible to advertise all we stock. Please telephone or write for further enquiries. Personal callers always welcome.

SPRINGFIELD HOUSE
TYSSEN STREET, LONDON E8
TEL: 01-249 5217
TELEX: 895396 EECO.G

ELECTRONIC EQUIPMENT CO.

WW - 081 FOR FURTHER DETAILS

TRANSLER DOT MATRIX PRINTER. Compact. Serial Interface. 230V. With info. £65 each
9" MONITOR. Cased. Non-Standard. With info. £190 each
12" MONITOR. Cased. Non-Standard. With info. £250 each
ATZEC 20" Black & White Monitor. Video In £50 each
TV Style 20" MONITOR Black & White. Video In £150 each
COSSOR VDU with KEYBOARD type CDD3000. 12" Green Screen. V24/20MA or TTL compatible. With info. £55 each
CENTRONIC 704 DOT MATRIX PRINTER. RS232. Upper & Lower case. Variable paper width. £250

- 1 TEKTRONIX475 Scope 200MHz. Dual Trace. Delay Sweep. £1600
- 2 TEKTRONIX 453 Scope 50MHz. Dual Trace. Delay Sweep. £500
- 3 TEKTRONIX 647A Scope 100MHz. Dual Trace. £450
- 4 MARCONI TF2210 Scope 100MHz. Dual Trace. Dual TB. Delay Sweep. £400
- 5 PHILIPS PM3234 Storage Scope with Memory 100MHz. Dual Trace. Delay Sweep. £395
- 6 SOLARTRON CD1400 Scope 15MHz. Dual Beam. £200
- 7 TEKTRONIX 549 Storage Scope 30MHz. Dual Trace. Dual TB. Delay Sweep. £400
- 8 TEKTRONIX 564B Storage Scope 10MHz. Dual Trace. Delay Sweep. £395
- 9 SOLARTRON CD1400 Scope 15MHz. Dual Beam. £200
- 10 COSSOR CDU150 Scope 35MHz. Dual Trace. Delay Sweep. £195
- 11 EQUIPMENT S54 Scope 10MHz. Single Beam. Solid State. £350
- 12 EQUIPMENT S43 Scope 25MHz. Single Beam. £350
- 13 B & K BEAT FREQUENCY OSCILLATOR type 1013. £225
- 14 B & K RANDOM NOISE GENERATOR type 1402. £50
- 15 B & K ELECTRONIC VOLT/METER type 2409. 2Hz-200kHz. £50
- 16 MARCONI SIG GEN TF144HS. 10kHz-72MHz. £125
- 17 MARCONI F.M. AM SIG GEN TF995A/3S. 1.5-220MHz. AM/FM Mod. £150
- 18 MARCONI R.F. POWER METER FT1020A1. 50 ohm. £75
- 19 MARCONI SIG GEN FT1060Z. 450/1200MHz. Late style. £150
- 20 MARCONI R.F. POWER METER FT1152 Range. 50 ohm. £50
- 21 MARCONI SIG GEN FT2002A/S. AM/FM 10kHz-72MHz. £475
- 22 MARCONI SIG GEN FT2002. As above. AM only. £250
- 23 MARCONI POWER METER FT993A. 20Hz-35kHz. £75
- 24 MARCONI UNIVERSAL BRIDGE TF868. £50
- 25 MARCONI SENSITIVE VALVE VOLTMETER TF2600. 10Hz-10MHz. 1mV-300V. £75
- 26 HEWLETT PACKARD DVM 3440A with Automatic Range Selector 3442A. £150
- 27 H.P. VHF SIG GEN 80BC. 10-480MHz. £175
- 28 H.P. UHF SIG GEN 612A. 450/1200MHz. £175
- 29 H.P. CALCULATOR PLOTTER 9125A with Extended Memory 9101A and Cal Buffer 9102A. £250
- 30 FLANN MICROWAVE SIGNAL SOURCE type PCL5. 1-10GHz. £190
- 31 FLANN SIGNAL GEN type 501 P.S. 0.575-3GHz. £175
- 32 BRADLEY OSCILLOSCOPE CALIBRATOR type 156. £135
- 33 ELLIOT TRANSISTOR CURVE DISPLAY type 8100. £150
- 34 FENLOW SPECTRUM ANALYSER SA4. 0.3Hz-25kHz with Printer P1. £190
- 35 AIRMEC SIG GEN type 365. 1-320MHz. AM/FM Mod. £130
- 36 ADVANCE AM/FM SIG GEN SG63F. 4-230MHz. £125
- 37 ADVANCE SIG GEN type 62. 150kHz-220MHz. CW/Mod. £30
- 38 ADVANCE SIG GEN SG62B. 150kHz-220MHz. CW/Mod. £60
- 39 ADVANCE SIG GEN E2. 100kHz-100MHz. CW/Mod. £40
- 40 WAYNE KERR UNIVERSAL BRIDGE CT500 (BZ21A) with LOW IMPEDANCE ADAPTOR QZ21A. £125
- 41 WAYNE KERR SIG GEN type S121. 10Hz-120kHz. £110
- 42 BRYAN'S X-Y RECORDER type 2400A. A3 size. With manual. £150
- 43 CALCOMP PLOTTER Model 565. Step size 1mm. 12 1/2" Barrel. With manual. £175
- 44 TEKTRONIX TIME MARK GENERATOR type 184. £125
- 45 TEKTRONIX SQUARE WAVE GEN type 106. £20
- 46 AUTO TRANSISTOR TESTER type TT169 with leads (P&P £2)
- 47 VDO VALVE TESTER type CT160. 22 Valve bases. £20
- 48 LAVOIGNE COLOURMATCH 625 PATTERN GEN type CM6004PG (P&P £4). £25
- 49 FOSTER INSTRUMENTS PORTABLE POT. Model 3156E. £45
- 50 BRANDENBURG POWER SUPPLY Model 3745EL. 1kV. £200
- 51 MUIRHEAD K134-A WAVE ANALYSER 3Hz-300kHz. £75
- 52 AIRMEC WAVE ANALYSER type 248. 5-300MHz. £75
- 53 TEKTRONIX TIME MARK GEN type 150a. £125
- 54 ROSSANO TRANSISTORISED P.U. type TVS/20/2. Metered 0H-30V/0-2A. £40
- 55 CROPOIC RESISTANCE BRIDGE SMITH No 3. £50
- 56 TINSLEY VERNIER POTENTIOMETER type 4363. £30
- 57 PYE PRECISION VERNIER POT. Cat No 7568. £30
- 58 ADVANCE STAB HT-LT SUPPLY type P.P.1. Metered Scaled 0-500V-0-50mA, 0-1000V-0-250V, 0-600V, 0 to 200V. £50
- 59 MARCONI DOUBLE PULSE GEN FT1400S with TM660S/5. 10kHz-100kHz. 100 nsecs-100 μsecs. £150
- 60 MARCONI FT109P. SWEEP GEN 20 MHz. £25
- 61 AIRMEC MILLIVOLTMETER type 26A. 20Hz-10MHz. £20
- 62 VARIAC 8 amp. Cased 0-270Volts. £25
- 63 AUTO TRANSFORMER 1000VA. Brand New. £15

EXECUTIVE TELEPHONES - PUSH BUTTON
Many functions including 10 number memory; repeat dialling, etc. Will connect to GPD System. Brand New. £25 each. P&P £4.

EQUIPMENT IN WORKING ORDER
Please check availability before ordering. Carriage all units £7. VAT to be added to total of Goods and Carriage. S.A.E. for LISTS.

STEWART OF READING

110 WYKEHAM ROAD, READING, BERKS RG6 1PL
Telephone: 0734 68041

Callers welcome 9 a.m. to 5.30 p.m. Monday to Saturday inclusive

WW - 071 FOR FURTHER DETAILS

PM COMPONENTS LTD

VALVE & COMPONENTS SPECIALISTS

INTEGRATED CIRCUITS		TBA641A12		TDA2523 1.95	
AN124 2.50	MC1358 1.58	TA7120P 1.85	TBA641A12 2.50	TDA2523 1.95	TDA2524 1.95
AN214Q 2.50	MC1495 3.00	TA7130P 1.50	TBA641B1X1 3.00	TDA2524 1.95	TDA2525 1.95
AN240P 2.90	MC1496 2.25	TA7146 2.95	TBA651 1.75	TDA2526 1.25	TDA2527 1.25
AN812 2.15	MC1401BCP 2.95	TA7203 2.95	TBA651R 2.50	TDA2528 2.15	TDA2529 2.15
AN7140 3.50	MC145106P 2.95	TA7204P 2.15	TBA720A 2.45	TDA2571 1.95	TDA2572 1.95
AN7145 3.50	MC1723 1.95	TA7205AP 1.50	TBA750Q 2.85	TDA2573 2.00	TDA2574 2.00
AN7150 2.95	MC3357 2.75	TA7222AP 1.90	TBA810AS 1.85	TDA2593 2.95	TDA2594 2.95
BA521 2.35	MC1231 0.50	TA7227P 4.25	TBA810P 1.85	TDA2600 5.50	TDA2601 5.50
CA1352E 1.75	ML231E 1.75	TA7310P 1.80	TBA820M 0.75	TDA2610 2.50	TDA2611 2.50
CA308E 0.46	ML232B 2.50	TA7313AP 2.95	TBA820Q 1.45	TDA2612 1.95	TDA2613 1.95
ET76016 2.50	SM5807 6.75	TA7321P 2.25	TBA820R 2.50	TDA2614 2.95	TDA2615 2.95
HA 137P 1.50	PL02A 5.15	TA7329P 3.15	TBA820S 1.85	TDA2680A 2.75	TDA2680B 2.75
HA1156W 1.50	PL02A 5.15	TA7331P 1.80	TBA820T 1.85	TDA2690 2.45	TDA2691 2.45
HA1551 2.95	SAA500A 3.50	TA7310P 1.80	TBA820U 0.75	TDA2692 3.95	TDA2693 3.95
LA1230 1.15	SAA1025 2.75	TA7310P 1.80	TBA820V 2.85	TDA2700 2.95	TDA2701 2.95
LA4102 2.95	SAA5010 6.95	TA7310P 1.80	TBA820W 2.85	TDA2702 2.95	TDA2703 2.95
LA4250 2.95	SAS5805 1.75	TA7310P 1.80	TBA820X 2.35	TDA2704 2.95	TDA2705 2.95
LA4400 4.15	SAS5705 1.75	TA7310P 1.80	TBA820Y 1.49	TDA2706 2.95	TDA2707 2.95
LA4422 2.50	SAS580 2.85	TA7310P 1.80	TBA1401 2.15	TDA2708 2.95	TDA2709 2.95
LC7120 3.25	SL901B 4.85	TA7310P 1.80	TBA120B 0.95	TDA2710 1.10	TDA2711 1.10
LC7130 3.50	SL917B 6.85	TA7310P 1.80	TBA120C 1.15	TDA2712 1.10	TDA2713 1.10
LC7141 5.50	SL1310 1.80	TA7310P 1.80	TBA120T 1.05	TDA2714 1.10	TDA2715 1.10
LC7137 5.50	SL1327 1.10	TA7310P 1.80	TBA120U 1.00	TDA2716 1.10	TDA2717 1.10
LM324N 0.46	SL1327Q 1.10	TA7310P 1.80	TBA231 1.25	TDA2718 1.10	TDA2719 1.10
LM380N 0.95	SN76003N 1.95	TA7310P 1.80	TBA395 1.80	TDA2720 1.10	TDA2721 1.10
LM383T 2.95	SN76013N 1.95	TA7310P 1.80	TBA396 0.75	TDA2722 1.10	TDA2723 1.10
MC1151L 0.84	SN76022N 1.95	TA7310P 1.80	TBA440N 1.95	TDA2724 1.10	TDA2725 1.10
MC1515L 2.95	SN76033N 1.85	TA7310P 1.80	TBA480Q 1.25	TDA1006A 2.50	TDA1006B 2.50
MC1521L 1.90	SN76110N 0.95	TA7310P 1.80	TBA510 2.50	TDA1010 2.15	TDA1011 2.15
MC8372 2.00	SN76115N 1.25	TA7310P 1.80	TBA510Q 2.50	TDA1035 2.50	TDA1036 2.50
MC1307P 1.00	SN76131N 1.30	TA7310P 1.80	TBA520 1.10	TDA1037 1.95	TDA1038 1.95
MC1310P 1.50	SN76220N 1.85	TA7310P 1.80	TBA520Q 0.85	TDA1039 1.95	TDA1040 1.95
MC1327 0.95	SN76227N 1.05	TA7310P 1.80	TBA530 1.10	TDA1170S 1.95	TDA1170T 1.95
MC1327Q 0.95	SN76533N 1.85	TA7310P 1.80	TBA530Q 1.10	TDA1190 2.15	TDA1191 2.15
MC1330P 0.78	SN76544N 1.95	TA7310P 1.80	TBA540 1.25	TDA1270Q 1.95	TDA1270R 1.95
MC1345 1.20	SN76570N 1.00	TA7310P 1.80	TBA540Q 1.35	TDA1327 1.70	TDA1327A 1.70
MC1351P 1.50	SN76600N 0.80	TA7310P 1.80	TBA560C 1.45	TDA2022 0.95	TDA2023 0.95
MC1352P 1.25	TA7081AP 3.95	TA7310P 1.80	TBA560CQ 1.45	TDA2020 2.45	TDA2021 2.45
MC1367 2.35	TA7108P 1.00	TA7310P 1.80	TBA570 1.00	TDA2030 2.80	TDA2031 2.80
		TA7310P 1.80		TDA2522 1.95	TDA2523 1.95

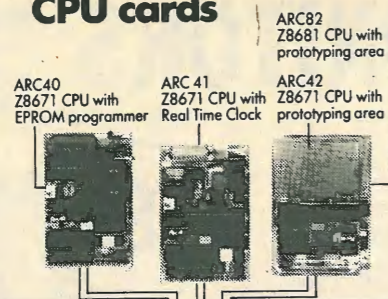
SEMICONDUCTORS		R2008B 1.70		R2010B 1.70	
AA12 0.25	BC173B 0.10	BF362 0.38	R2008B 1.70	R2010B 1.70	R2012B 0.58
AC126 0.22	BC174A 0.09	BF371 0.28	R2012B 0.58	R2014B 0.58	R2016B 0.58
AC127 0.20	BC174A 0.09	BF380 0.19	R2016B 0.58	R2018B 0.58	R2020B 0.58
AC128 0.22	BC177 0.15	BF422 0.32	R2020B 0.58	R2022B 0.58	R2024B 0.58
AC128K 0.32	BC178 0.15	BF457 0.32	R2024B 0.58	R2026B 0.58	R2028B 0.58
AC141 0.28	BC182 0.10	BF459 0.32	R2028B 0.58	R2030B 0.58	R2032B 0.58
AC143 0.82	BC182L 0.10	BF469 0.32	R2032B 0.58	R2034B 0.58	R2036B 0.58
AC142K 0.30	BC183 0.10	BF479 0.25	R2036B 0.58	R2038B 0.58	R2040B 0.58
AC176 0.22	BC183L 0.09	BF539 0.23	R2040B 0.58	R2042B 0.58	R2044B 0.58
AC176K 0.31	BC184L 0.09	BF549 0.23	R2044B 0.58	R2046B 0.58	R2048B 0.58
AC178 0.28	BC20A 0.10	BF581 0.23	R2048B 0.58	R2050B 0.58	R2052B 0.58
AC187 0.28	BC20B 0.13	BF589 0.25	R2052B 0.58	R2054B 0.58	R2056B 0.58
AC187K 0.28	BC208B 0.13	BF599 0.23	R2056B 0.58	R2058B 0.58	R2060B 0.58
AC188 0.28	BC212 0.09	BF629 0.23	R2060B 0.58	R2062B 0.58	R2064B 0.58
AC188K 0.37	BC212L 0.09	BF649 0.23	R2064B 0.58	R2066B 0.58	R2068B 0.58
AD142 0.79	BC212LA 0.09	BF659 0.23	R2068B 0.58	R2070B 0.58	R2072B 0.58
AD143 0.82	BC213 0.09	BF681 0.23	R2072B 0.58	R2074B 0.58	R2076B 0.58
AD149 0.70	BC213L 0.09	BF689 0.30	R2076B 0.58	R2078B 0.58	R2080B 0.58
AD161 0.39	BC214 0.09	BF690 1.50	R2080B 0.58	R2082B 0.58	R2084B 0.58
AD162 0.39	BC214C 0.09	BF699 1.75	R2084B 0.58	R2086B 0.58	R2088B 0.58
AD161/2 0.90	BC214L 0.09	BF719 1.75	R2088B 0.58	R2090B 0.58	R2092B 0.58
AD162/2 0.90	BC214L 0.09	BF743 0.28	R2092B 0.58	R2094B 0.58	R2096B 0.58
AD163 0.50	BC215 0.10	BF749 0.28	R2096B 0.58	R2098B 0.58	R2100B 0.58
AF12A 0.34	BC237A 0.09	BF789 0.30	R2100B 0.58	R2102B 0.58	R2104B 0.58
AF125 0.35	BC237B 0.09	BF790 1.50	R2104B 0.58	R2106B 0.58	R2108B 0.58
AF126 0.32	BC238 0.09	BF819 1.75	R2108B 0.58	R2110B 0.58	R2112B 0.58
AF127 0.32	BC238A 0.09	BF829 1.75	R2112B 0.58	R2114B 0.58	R2116B 0.58
AF178 1.95	BC252A 0.12	BF849 0.28	R2116B 0.58	R2118B 0.58	R2120B 0.58
AF239 0.42	BC258 0.25	BF859 0.23	R2120B 0.58	R2122B 0.58	R2124B 0.58
AO106 2.00	BC258A 0.35	BF881 0.23	R2124B 0.58	R2126B 0.58	R2128B 0.58
AO107 1.75	BC259 0.12	BF889 0.30	R2128B 0.58	R2130B 0.58	R2132B 0.58
AO110 2.00	BC300 0.30	BF899 0.30	R2132B 0.58	R2134B 0.58	R2136B 0.58
AO113 2.95	BC301 0.30	BF919 1.75	R2136B 0.58	R2138B 0.58	R2140B 0.58
AO177A 0.11	BC303 0.28	BF929 1.75	R2140B 0.58	R2142B 0.58	R2144B 0.58
AO177B 0.11	BC307 0.09	BF939 1.75	R2144B 0.58	R2146B 0.58	

Z8 BASIC in Control

Arcom's 40-series board level products have been designed to make life easy for the engineer. We don't just sell CPU cards either; Arcom's complementary range of interface products can help you solve any system development or control problem.

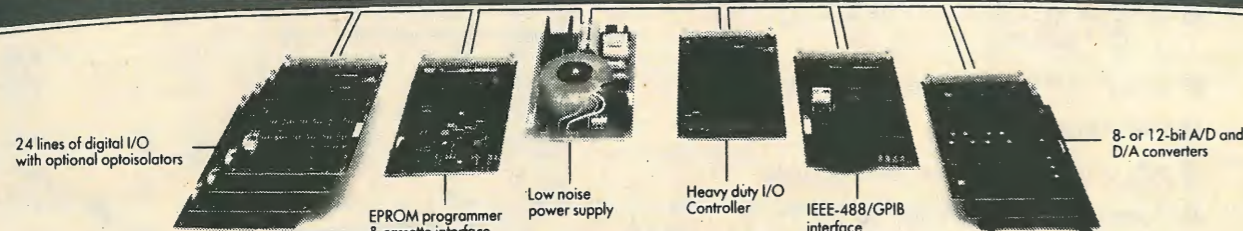
The 40-series CPU cards are based on Zilog's advanced Z8 family - whose on-chip BASIC makes applications quick and easy to implement.

CPU cards



In many cases, you can go from problem formulation to a firmware (EPROM) solution in just thirty minutes! Prices? from £85 to £152. The I/O boards cost from just £81 - and can even be used with our high-performance Z8000 development system.

Professionally designed and robustly constructed, Arcom have the range to do the job - reliably. Write or 'phone for details now.



Peripheral cards

Arcom

Available from:
Arcom Control Systems Ltd.
Unit 8, Clifton Road
Cambridge, CB1 4BW

Telephone: (0223) 242224



Hi-Tek Distribution Ltd.
Trafalgar Way
Bar Hill
Cambridge CB3 8SQ
Telephone: (0954) 81996

WW - 080 FOR FURTHER DETAILS

CHILTERN ELECTRONICS

★ SURPLUS EQUIPMENT SALE ★

9 inch VIDEO MONITORS

Once again we are able to offer these superb Motorola monitors at a fraction of the list price.

Mains and composite video input, ideal for any micro. High-resolution 80 column display, complete with circuit. Used but tested OK.

£34 + VAT
Carr. £6.50

LAB. POWER SUPPLIES

Professional heavy duty power units from mainframe computers, beautifully made.

Outputs 5v 33a, ±12v 4a, ±15v 4a. Mains 240v input. Fully regulated and protected.
List price over £300. Used but fully tested.

£34 + VAT
Carr. £8.50

DRI-30 DISK DRIVES (2.5Mb)

These famous disks are well known for their reliability and high engineering standards. Cartridges easily exchangeable, standard disk interface. Untested but believed working OK.

Our price to clear **£120 + VAT**
Carr. £10

8 inch FLOPPY DRIVES

Calcomp 8-inch single/double density disk drives, 115v ac 50hz operation, but no read/write electronics.

Ideal for the experimenter, schools etc.

Only **£27 + VAT**
or **£50** for two
Carr. £4.50

QUME DAISY-WHEEL PRINTERS

The Sprint-30 is the Rolls-Royce of daisy wheels, and originally cost £1.5K+. Ours are used but fully tested, with PSU for 230v. RS232 input, complete with full data. While stocks last.

Only **£350 + VAT**
Carr. £13
Tractor feed option £25 extra

A.S.C.II KEYBOARDS

Scoop purchase allows us to offer a real professional keyboard (49-key ASCII), with Hall-effect keys and attractive case for a ridiculous price.

Circuits supplied. Used but tested. Cost £300+.

Only **£15 + VAT**
Carr. £1.85

DEC PDP-11/03 COMPUTERS

We have a few surplus PDP 11/03's complete with box power supply, and LSI 11/1 Processor card. A real 16-bit computer that usually costs thousands of pounds. Not used but BRANDNEW.

at only **£320 + VAT**
Carr. £10

ZENTEK VDU TERMINALS

Beautiful 8080 - controlled terminals that can also function as stand-alone micro. Large 14" screen, attractive case, detachable keyboard with numeric pad, 2 pages of 25 lines/80 char.

List £2K+. Ours our sold "as-is" but probably OK. With circuits.

Only **£99 + VAT**
Carr. £14.50

MICRO-POWER SUPPLIES

Compact 5v 3amp regulated power supplies, mains input. Used but tested OK.

Only **£11 + VAT**
Carr. £1.20
Also available 5v 6a version at **£16 + VAT** Carr. £2.40

COOLING FANS (230v)

Brand new surplus:- twin 4 inch whisper-quiet extractor fans, mounted on rack panel (19") with mains lead.

Ideal for cooling your micro; save £50 +

Our price **£11 + VAT**
Carr. £1.20

TWIN-CASSETTE DRIVES

DEC TAII twin digital cassette drives, intended for PDP11 but adaptable for use on micros.

Complete with circuits. As new.

Only **£99 + VAT**
Carr. £9

RIBBON CABLES

40-way standard ribbon cable, 8 foot long, complete with two Berg connectors at either end.

In sets of three cables. As new. Save £10 or more!

£10 + VAT for 3
Carr. £1

WE ALSO STOCK FULL RANGE OF DEC SYSTEMS AND SPARES, FROM PDP11/03 TO TO VAX 11/780. PLEASE PHONE FOR OUR DEC CATALOGUE.

HIGH STREET, CHALFONT ST. GILES, BUCKINGHAMSHIRE HP8 4QH TEL: 02407 71234
Telephone or send your order to Gary Kent. We accept personal cheques or telephone your Access Card No.
All items despatched within 24 hours

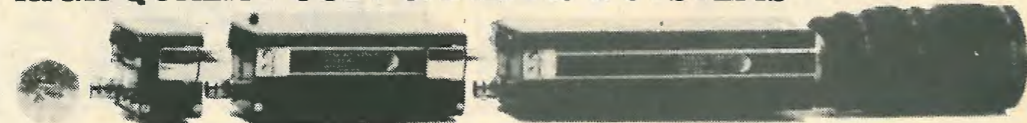
WW - 078 FOR FURTHER DETAILS

DESIGNERS AND MANUFACTURERS OF HIGH QUALITY CCTV CAMERAS & SYSTEMS



INSIGHT VISION SYSTEMS LIMITED

Unit 1, Merebrook,
Hanley Road, Malvern,
Worcs WR13 6NP, England
Tel (0684) 310001
Telex 334480 INSIGT'G'



This self-contained black and white camera has been developed for use in situations where space is at a premium but the need for high quality is of paramount importance. Features include:

- LOW POWER CONSUMPTION
- AUTOMATIC VIDEO BLACK LEVEL
- MOTORIZED VIDICON RACKING
- UNPROCESSED VIDEO OUT TO EE LENS
- INBUILT IRIS DRIVE SERVO
- 10 TO 32 VOLT DC OPERATION
- EDGE ENHANCEMENT CORRECTION
- EXTERNAL LOCK
- HIGH RESOLUTION, LOW NOISE PICTURE
- PLUG ON BATTERY AND REMOTE CONTROL MODULES

We believe this is the smallest self-contained black and white TV camera available. Contact Andrew Smith on (0684) 310001

WW - 072 FOR FURTHER DETAILS

RADFORD

Audio Measuring Instruments, Audio Amplifiers, Loudspeakers and Loudspeaker Components for the professional and enthusiast

RADFORD AUDIO LTD.

10 BEACH ROAD
WESTON-S-MARE, AVON BS23 2AU
TEL. 0934 416033

WW - 014 FOR FURTHER DETAILS

ELECTRONIC VALVES WANTED

All Types Receiving, Transmitting, Industrial
CV136 - CV138 - CV329 - CV345 - CV2209
- PL508 - PL509 - PL519 - PL805 - PY500A

Phone/write to:
PYPE HAYES RADIO LTD.
606 Kingsbury Road
Birmingham B24 9PJ
021-373 4942

WW - 067 FOR FURTHER DETAILS

Appointments

Advertisements accepted up to 12 noon Tuesday, November 29th, for January issue subject to space available.

DISPLAYED APPOINTMENTS VACANT: £17 per single col. centimetre (min. 3cm).
LINE advertisements (run on): £3.50 per line, minimum £25 (prepayable).
BOX NUMBERS: £5 extra. (Replies should be addressed to the Box Number in the advertisement, c/o Quadrant House, The Quadrant, Sutton, Surrey SM2 5AS).
PHONE: IAN FAUX, 01-661 3033 (DIRECT LINE)

Cheques and Postal Orders payable to **BUSINESS PRESS INTERNATIONAL LTD.** and crossed.



ALWAYS AHEAD WITH THE BEST!

£7,000-£20,000

- ★ Where does your interest lie: Communications; Computers; Weapons; Radar; Sonar; Data-Comms; Signal Processing; Medical; Telemetry; Simulation; Satcom; Local Area Nets; ATE?
- ★ Experienced in: Microprocessor Hardware or Software; Digital and Analogue circuitry; RF and Microwave techniques?
- ★ There are hundreds of opportunities in: Design; Test; Sales and Service for Engineers and Managers
- ★ Act now: Just dial 100 and ask for **FREEPHONE JOBLINE** or send your C.V. (no stamp needed) to:

ELECTRONIC COMPUTER AND MANAGEMENT APPOINTMENTS LIMITED
 Freepost, Barkway, Royston, Herts SG8 8BR

(1926)

Electronic Engineers – What you want, where you want!

TJB Electrotechnical Personnel Services is a specialised appointments service for electrical and electronic engineers. We have clients throughout the UK who urgently need technical staff at all levels from Junior Technician to Senior Management. Vacancies exist in all branches of electronics and allied disciplines - right through from design to marketing - at salary levels from around £5000-£15000.

If you wish to make the most of your qualifications and experience and move another rung or two up the ladder we will be pleased to help you. All applications are treated in strict confidence and there is no danger of your present employer (or other companies you specify) being made aware of your application.

TJB ELECTROTECHNICAL PERSONNEL SERVICES,
 12 Mount Ephraim,
 Tunbridge Wells,
 Kent. TN4 8AS.

Tel: 0892 39388
 (24 Hour Answering Service)



Please send me a TJB Appointments Registration form:

Name

Address

(861)

VISUAL SUCCESS

W. London £12.5K+++
 Leading Video Facilities House offers truly unique position to artistic electronics engineers.

Call **Richard Butcher NOW!** 01-549 6441 (24 hrs.) or at home 01-337 4900. (2352)

cb executive (kingston) ltd
 Specialists In Electronic Design

TOWNLEY EMPORIUM

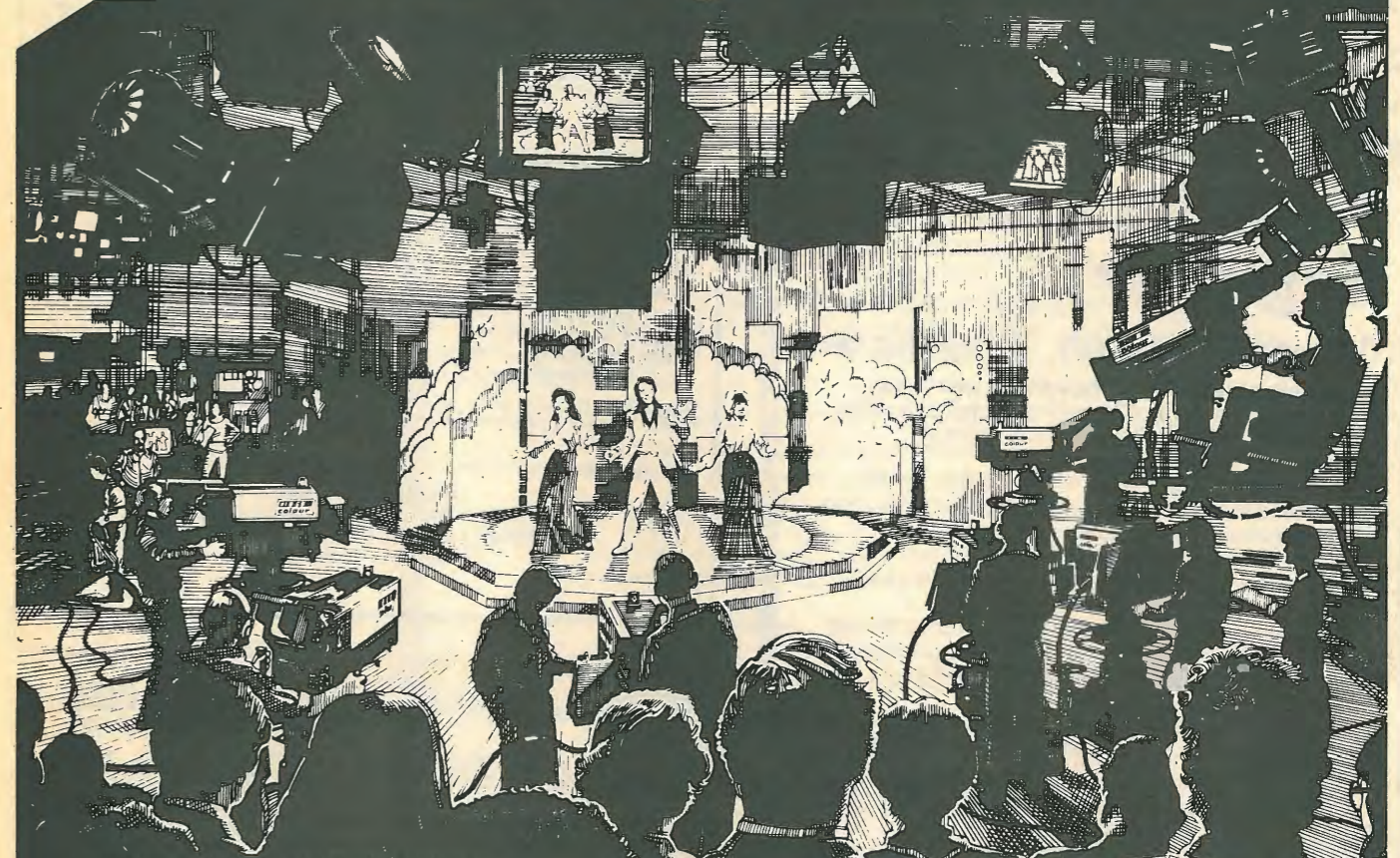
Bargains for callers or send for catalogue
ELECTRICAL, ELECTRONIC & MECHANICAL COMPONENTS
 Vast range of surplus test equipment; Diodes; Thyristors; Resistors; Terminals; Switches; Relays; Screws; ICs; Tools.
 Harehill Street off Burnley Road, Todmorden, Llanes OL14 5JY (2172)

LOGEX ELECTRONICS RECRUITMENT

Specialists in Field & Customer Engineering appointments, all locations and disciplines.
 Logex House, Bursleigh, Stroud Gloucestershire GL5 2PW
 0453 883264 & 01-290 0267 (24 hours)

Studio Capital Projects
 Systems & Applications Engineers

A challenge in every dimension



Translating outline plans into solid hardware - tested, debugged and ready-to-run is challenging enough but when these plans involve interfacing several different technologies and producing one totally integrated system, the problems increase a hundredfold.

Such is the challenge which confronts and stimulates the specialist teams of Systems & Applications Engineers and Technicians who work in the BBC's Capital Projects Department. These are the men and women who create the sophisticated studio complexes which gives the BBC world leadership in broadcasting technology.

To give you a taste of the future you can enjoy with us, we invite you to an Open Evening at Woodlands, our brand new Planning and Installation base, near Shepherds Bush. We would be delighted to welcome you, show you round and discuss the fascinating and challenging work you could do.

We would like to meet people who are interested in gaining experience across a very broad field and learning to apply the experience they have gained in other electronic industries, to the expanding and ever-changing field of broadcast engineering.

We have vacancies for people with a wide range of qualifications and if you have a degree in Electronic Engineering, an HNC, HND, Higher TEC Certificate or Diploma, then why not come along and see what we have to offer. Salaries

range initially from a minimum of £8,362 to £10,949 and we would expect most people to be recruited near the top of this range. If you are not promoted in the meantime, annual increments should extend this range to a maximum of £12,327.

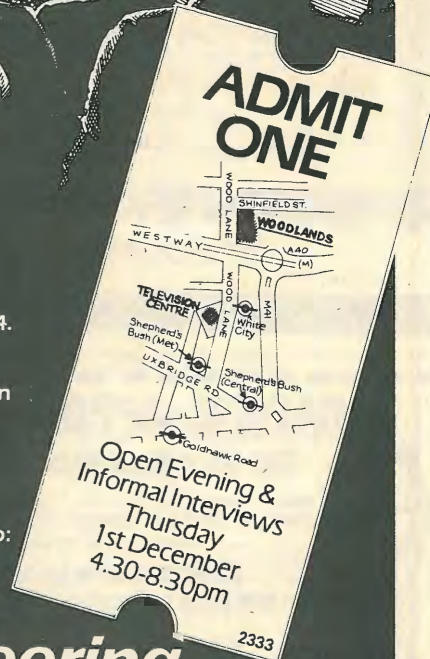
We also have vacancies for Installation Technicians qualified to ONC or TEC level for whom initial salaries will be in the range of £7,475 to £8,362, rising to a maximum of £9,374. Relocation expenses are available where appropriate.

Do come and see us at Woodlands between 4.30pm and 8.30pm on Thursday, 1 December. If you can't come to see us then, telephone Eric Stoves on (01) 743 8000 ext. 2149 and discuss with him the opportunities which are available. Alternatively, you can write for further information and an application form to: Mr. E. Stoves, Studio Capital Projects Dept, BBC, PO Box 2BL, London W1A 2BL (Quote ref. 83E/4127 WW)

BBC engineering

Making an Art of Technology

We are an equal opportunities employer



Appointments

ELECTRONICS APPOINTMENTS £6,000 - £16,000

ANALOGUE, RADIO, MICROWAVE
DIGITAL, MICROPROCESSOR, COMPUTER
DATA COMMS, MEDICAL

Design, Test, Sales and Field Service Engineers —
to use our free, confidential service and improve your salary
and career prospects, UK and overseas, contact:



11 Westbourne Grove, London W2. Tel: 01-229 9239

(1935)

Field Service Engineer

Broadcast TV industry £ neg plus car

An excellent opportunity has arisen within the Service Department of Sony Broadcast, one of the world's leaders in professional broadcast television equipment.

The successful candidate will be engaged in the service and repair of our extensive range of equipment. This will involve travel throughout our marketing territory which covers Europe, Africa and the Middle East. Training on our range of products will be given where necessary.

Applicants should have several years' engineering experience gained in the broadcast television industry and knowledge of VTR's and video cameras is essential.

This position carries an excellent remuneration package which includes Company Car and relocation expenses if appropriate. If you are interested please contact: Mike Jones, Senior Personnel Officer, Sony Broadcast Limited, City Wall House, Basing View, Basingstoke, Hants. RG21 2LA. Telephone (0256) 55011

SONY Broadcast
Sony Broadcast Ltd.
City Wall House
Basing View, Basingstoke
Hampshire RG21 2LA
United Kingdom
Telephone (0256) 550 11
(3234)

PIONEER

require

A VIDEO ENGINEER

The successful applicant will carry out varied and interesting work on new high technology products including the Laser Disc player, in a well-equipped Service Department. His/her main responsibility will be to repair the Laser Disc player. Training will be given in our technical training school.

Candidates should be qualified to City and Guilds in radio and television electronics or HNC in electronics or equivalent, with at least five years' experience in colour television and video recorders. Some experience in microprocessors would be an advantage.

A TECHNICAL LIAISON ENGINEER with a difference

The successful applicant will be expected to answer dealers' and consumers' correspondence and telephone enquiries relating to all Pioneer products.

The person selected for this very important position will have at least five years' experience in repairing Hi-Fi equipment and should be qualified to City and Guilds in radio and television electronics and/or HNC in electronics or equivalent, and must have experience in dealing with technical correspondence.

Benefits include four weeks' annual holiday, staff restaurant, contributory pension scheme and private health cover.

For further information, do not hesitate to contact:

Mrs C. A. Burridge
Pioneer High Fidelity (GB) Limited
Field Way, Greenford, Middlesex UB6 8UZ
Telephone: 01-575 5757

(2327)

ACOUSTIC SIGNAL PROCESSING SPECIALIST London

An experienced graduate electronics or computer hardware specialist is required to join a team working on a variety of challenging projects.

Activities involve the design, specification and use of electronic and computer equipments to process acoustic data; technical liaison with Government R&D establishments and with industry; and the provision of advice to non-technical personnel.

Applicants should be under 30, hold a good Honours Degree or equivalent in Electronics or Computer Systems Technology, and be capable of designing in the acoustics/communications/signal processing field. An ability to liaise effectively with senior technical staff is essential.

The starting salary will be in the band £7,000 to £11,000 per annum, depending on qualifications and experience, and the post will initially be based in London, although career progression will probably take you to our Communications Centre at Hanslope Park.

For an application form please write to Dr. D. Orr, Recruitment Officer, HMGCC, Hanslope Park, Hanslope, Buckinghamshire MK19 7BH.

(2328)

BORED ?

Then change your job!

1) CAB/CAM
Field Engineers with a knowledge of graphic displays, plotters and associated peripherals, based on PDP 11, £ - neg. + car. Bucks.

2) Electronics Office Equipment
Field Service Engineers required. Preferably with knowledge of repairing electronic printers, calculators and typewriters. £ v. good + car. Bucks/Berks/Herts.

3) Test Equipment
Field Service Engineers required for maintenance of non-destructive test equipment. £10,000. Berks.

4) Medical Equipment
Test/Service Engineers with a good knowledge of CMOS logic and analogue circuitry. c.£8,500.

5) Service Personnel (RAF, RN, Army)
We have many clients interested in employing ex-service fitters and technicians at sites throughout the UK. Phone for details.

6) £500 per week
We are paying very high rates for contract design and test engineers who have a background in RF, MICROWAVE, DIGITAL, ANALOGUE or SOFTWARE, at sites throughout the UK.

Hundreds of other Electronic and Computer Vacancies to £12,500

Phone or write:

Roger Howard, C.Eng., M.I.E.E., M.I.E.R.E.
CLIVEDEN CONSULTANTS
87 St. Leonard's Road, Windsor, Berks.
Windsor (07535) 58022 (5 lines)
(1640)

CLIVEDEN

PROGRAMMER

Relay ladder logic
Modicom or any
other PLC
Call Lynne on
01-948 5922

KPG
(2339)

GRADUATE ELECTRONICS ENGINEER

Wanted to join small specialist measurement and control company based at National Centre for Alternative Technology. Must be versatile and experienced

Sae for details to NCAT, Machynlleth, Powys

(2354)

R.T.T. SYSTEMS RADIO TELEPHONY TESTING

R.F. ENGINEERS - DESIGN AND PRODUCTION

We are a Division of a highly successful Electronics Group with considerable expertise in Control Systems this new Division is involved with Radio Telephone Test Systems and has a major technical expansion programme ahead.

To assist in these exciting projects we require additional R.F. specialists to work with our small team designing, producing and selling to all markets.

DESIGNER/PROJECT CONTROLLER

Must have sound theoretical background in circuit design applied to a practical understanding of R.F. Engineering to 1.5 GHz or above. Must have degree level in Electronics and several years' experience in design, development and project control - possibly using outside consultants. Must be highly self motivated and results orientated. Being a Radio enthusiast would be a bonus.

PRODUCTION MANAGER

Must have experience of production, quality control, testing and calibrating of complex test equipment preferably associated with R.F. communications.

Must have experience of sourcing and controlling suppliers and subcontractors with the ability to embrace administrative functions as the company grows.

Will need to liaise with customers regarding repairs, service and recalibration hence must be highly motivated with commitment to achievement.

Applications only from people wishing to enjoy the freedom and opportunity to exercise your personal innovativeness with prospects of growing with the company. Benefits include: company car, substantial salary, bonus plus normal benefits associated with a progressive company.

Send your career details or phone for an application form to: R. J. West, R.T.T. (Division of Hanworth Enterprises), Gresham House, Twickenham Road, Feltham, Middlesex TW13 6HA.
(2336)

MANAGEMENT & EXECUTIVE SELECTION

telephone
01-637 9611

DEVELOPMENT TEST ENGINEERS TO £9K

Supporting a design team producing true state of the art electronic systems and sub-assemblies, your strengths could be utilised in defect investigation, environmental testing, "breadboard" assembly and test or quality assurance. In any of these areas you will enjoy the satisfaction of seeing equipment go from research to development and finally into production.

You will liaise both with project teams and the production area to ensure that the equipment meets the agreed technical specifications and is practical to operate. The test gear used to check the equipment is of the most recent and sophisticated design which means that you keep at the forefront of the science. Every unit passes through your department which guarantees a wide variation of interesting work.

The equipment uses digital, electro-optical and analogue technologies, with frequencies up to microwave level, most incorporate microprocessors or minicomputers.

Based West of London, your benefits will include competitive salaries, paid overtime, 25 days' holiday, real opportunity for career enhancement, Group Membership of BUPA, contributory pension scheme and generous relocation assistance where applicable.

For an informal discussion phone Kirk Blackmore or Philip Joisce on 01-637 9611.

Suite 201/6 Albany House
324 Regent Street London W1
MANAGEMENT & EXECUTIVE SELECTION

(2346)

SCOTTISH OFFICE DIRECTORATE OF TELECOMMUNICATIONS

WIRELESS TECHNICIAN (£6,251-£8,450)

Applications are invited for the above post based in East Kilbride, near Glasgow.

Candidates must have a sound theoretical and practical knowledge of Radio Communications Systems both fixed and mobile, in the frequency range HF to 2 GHz. They must also be able to use test equipment and simple machine tools. A sound basic knowledge of digital techniques would be an advantage. They should have a minimum of three years' appropriate experience and should hold an ordinary National Certificate in Electronic or Electrical Engineering or a City and Guilds of London Institute Certificate in an appropriate subject or a qualification of Higher or equivalent standard. Some assistance may be given with relocation expenses.

A valid UK driving licence is essential.

Application forms and further information are obtainable from Scottish Office Personnel Division, Room 110, 16 Waterloo Place, Edinburgh EH1 3DN (quote Ref. PM (PTS) 1/4/83).

Closing date for receipt of completed applications form is 12 December 1983.

(2351)

CAPITAL APPOINTMENTS LTD THE UK'S No. 1 ELECTRONICS AGENCY

If you have HNC/TEC or higher qualifications and are looking for a job in design, test, customer service, technical sales or similar fields:

Telephone now for our free Jobs list
We have vacancies in all areas of the UK
Salaries to £15,000 pa

01-637 5551 or 01-636 9659
(24 hours)

CAPITAL APPOINTMENTS LTD
29-30 WINDMILL STREET, LONDON W1P 1HG

(291)

Appointments

It's more by design than accident that Honeywell is ahead in advanced instrumentation worldwide. The Test Instrument Division based at Bracknell, is responsible for ensuring the effective operation of Industrial Tape Systems, Video Graphic Camera Systems and Oscillographic recorders countrywide in industrial, medical and R & D establishments.

We now need experienced Electronics Engineers, who after a brief product familiarisation period,

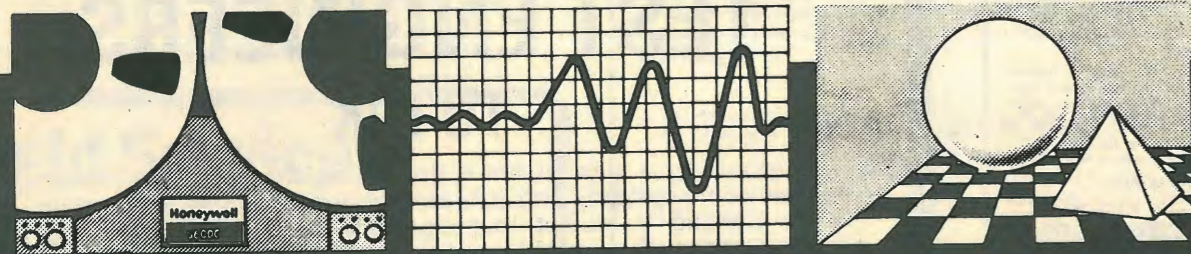
will be able to work to maximum effectiveness in trouble-shooting hi-technology equipment. Ideally, you will have a minimum of three years experience in fault-finding and maintaining 'state-of-the-art' equipment.

The position also involves a high degree of customer contact and you will be expected to work on your own initiative to assist in expanding our customer base.

By joining us you can expect all the rewards of working for a highly

successful International company, and in addition to an excellent salary, company car and worthwhile fringe benefits, there is every opportunity for career advancement.

Write with full career details to Richard Gould, Personnel Department, Honeywell Control Systems Limited, Honeywell House, Charles Square, Bracknell, Berkshire RG12 1EB. Telephone: Bracknell (0344) 24555. Please quote Ref WW/84/TID.



NEW DIMENSIONS IN TEST TECHNOLOGY

NEW CHALLENGES FOR ELECTRONICS ENGINEERS

Honeywell

INDUSTRIAL PRODUCTS GROUP - TEST INSTRUMENTS DIVISION (2343)

TEST ENGINEERS (AUDIO)

We are a world leader in the design and manufacture of Computer-assisted sound mixing Consoles for the Record and Broadcast industries. To meet increasing demand we require experienced Audio test engineers to expand our existing test facilities.

Applicants should have at least two years' relevant experience and have the enthusiasm to work in a self-motivated environment. A knowledge of digital circuits would be useful.

Please write or telephone for an application form to

Solid State Logic
Churchfields Stonesfield
Oxford OX7 2PQ
Tel. 099 389 8282

Solid State Logic
Stonesfield · Oxford · England

(2335)

ELECTROSONIC SYSTEMS ENGINEER/MANAGER

£7K-£12K + Car

The Systems Engineering Division of ELECTROSONIC wish to recruit an experienced Project Engineer/Manager to be responsible for a wide range of projects both in the UK and Overseas.

The Company, which has extensive manufacturing facilities, produces a wide range of lighting, audio and audio visual products and is a world leader in its field.

The Systems Division is responsible for the design and production of special projects which include industrial and commercial dimming, TV and Theatrical lighting, hotel and conference low voltage systems, audio and audio visual systems, including video.

The ideal candidate will be qualified to HNC/HND/Degree level or equivalent and will have experience in one or more of the above fields; but of equal importance will be his/her practical design and manufacturing experience, together with drive and ability to take a project from the drawing board to final commissioning on site. A vacancy may also exist for a Junior Engineer who is able to demonstrate the above potential.

The salary offered will depend upon experience, but will be in the range of £7,000 to £12,000 p.a. A company car is also offered and other fringe benefits will include an overseas allowance.

Applicants should telephone or write to:

R. D. GORTON
Divisional Manager - Systems Engineering
Electrosonic Ltd, 815 Woolwich Road
London SE7 8LT. Telephone: 01-855 1101

(2526)

ANALOG CONSULTANT REQUIRED

Interesting short-term projects for good Analog Engineer, preferably with some telecommunications experience. Work at home or our labs. Cash if required. Please phone:

DEREK ROWE ON 328 7145

(2344)

WANTED Studio Engineer/Radio Worker

for community radio project, S.E. London. 17½ hours p.w.; pay approx. £8,000 p.a. pro rata. Initially for six months. G.L.C. funded. To maintain studio, organise and teach courses in programme production and basic electronics, participate in admin of project.

Phone 7019010 or 703 0415 for details

(2347)

SITUATIONS VACANT

TECHNICIANS

Opportunities in Advanced Telecommunications Technology

Our Technicians have wide-ranging responsibilities and can make full use of comprehensive and unique facilities. There are also good prospects of promotion. The posts are at three different locations and there is the opportunity of service overseas.

HANSLOPE PARK (MILTON KEYNES) AND CENTRAL LONDON

for installation, maintenance and other work associated with HF communications equipment, VHF, UHF and microwave links and associated test equipment; teleprinters, telephone subscribers' apparatus, PMBXs, PAXs and ancillary equipment including that using analogue and digital techniques and voice frequency telegraph.

One post is in the Test Department of an electronics manufacturing group in Hanslope Park involved in the small batch production of a wide range of electronics and communications equipment.

CROWBOROUGH, SUSSEX

for maintenance and operation of high power, medium and shortwave broadcasting transmitters and associated equipment. Opportunities also exist for postings to other Broadcast stations at Orfordness, Cyprus and Masirah.

Applicants should normally have 4 years' relevant experience (7 years for more senior posts), and must hold one or more of the following:

- ★ ONC in Engineering (with pass in Electrical Engineering 'A');
- ★ ONC in Applied Physics;
- ★ TEC/SCOTEC certificate;
- ★ City & Guilds Telecommunications Technicians Certificate Part II (Course No 271) or Part I plus Maths 'B', telecommunications Principles 'B' and one other subject;
- ★ a pass in the Council of Engineering Institutions Part I examination;
- ★ an equivalent or higher relevant qualification.

Ex-Service personnel who have had suitable training and at least 3 years' appropriate service (as Staff Sergeant or equivalent) will also be considered.

Salary: Salary will rise from a minimum of £6,262 p.a. to a maximum of £8,580 p.a. for the Junior Grade and from a minimum of £8,420 p.a. to a maximum of £9,522 p.a. for the Senior Grade. Starting salary in the Junior Grade may be above minimum for those with additional relevant experience.

Relocation assistance may be available.

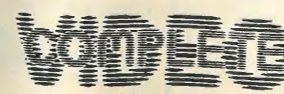
For an application form please write indicating the position desired to Foreign & Commonwealth Office, Hanslope Park Hanslope, Milton Keynes MK19 7BH, or telephone Milton Keynes (0908) 510444 Ext 232, to be returned by 16th December, 1983. Please quote reference YHU/TT7/83.

FOREIGN AND COMMONWEALTH OFFICE

(2329)

VTR ENGINEER

Complete Video, one of London's leading post production facilities, requires an engineer (aged 20-30) to cover all aspects of video post production. A working background of at least one year in broadcast or video facilities is essential. Salary in excess of A.C.T.T. rates. Please apply in writing to Richard Whitaker enclosing full C.V.



COMPLETE VIDEO FACILITIES LIMITED
COVENT GARDEN POST PRODUCTION CENTRE
3 SLINGSBY PLACE, LONG ACRE, LONDON WC2E 9AB. TEL. 01-379 7739

REGISTERED IN ENGLAND NO. 1568204
REGISTERED OFFICE: 25/27 CATHERINE PLACE, BUCKINGHAM GATE, LONDON SW1E 6EQ.

(2341)

LAMPS AND CABLE. Large amount of lamps and cable for sale - all types and sizes, domestic and industrial. Telephone MIRAGE LIGHTING on HITCHIN (0462) 733388 between 10am-7pm. (1809)

IBM MC82 Word-processors. Golf Ball 82 typewriter with "lift-off" correction, linked to mag card module. 8K working store. £195 + VAT. - Autotype. Hayward's Heath (0444) 414484 or 454377. (2349)

EX WD Radio equipment and test equipment. Over 500 sets in stock from £8. Send 50p for illustrated catalogue (including £1 voucher). Weir Ltd. 129 St. Albans Road, Watford, Herts. Tel: Watford (0923) 49456. (1974)

BRIDGES, waveform/transistor analysers. Calibrators, Standards. Millivoltmeters. Dynamometers. KW meters. Oscilloscopes. Recorders. Signal generators - sweep, low distortion, true RMS, audio, FM, deviation. Tel. 040 376236.

Classified

Senior TV Engineers

£15,900 Central London
Channel Four is dedicated to enlarging your experience

Since 1982, Channel Four has been broadening the scope of British television with an ever-widening selection of different, distinctive programmes.

We are equally determined to support innovation behind the scenes by encouraging engineering involvement across all aspects of our operations.

Steady expansion means we now need to recruit more Senior Engineers to work with one of the most advanced transmission systems in Europe.

TV broadcasting experience in telecine video tape and maintenance is essential. Qualifications will be less important than your ability to understand and operate specialised equipment.

In return we can offer a progressive, flexible career environment with genuine growth prospects. Generous benefits include 25 days holiday and contributory pension.

Please apply with full C.V. including current salary to the Personnel Department, Channel Four Television, 60 Charlotte Street, London W1P 2AX quoting reference EG11.



Channel Four is an equal opportunities employer. Applications are welcomed from candidates regardless of marital status, race, nationality, ethnic or national origins or sex and from registered disabled persons.

(2330)

CHANNEL FOUR TELEVISION

SOUTH WESTERN REGIONAL HEALTH AUTHORITY

Scientific Equipment Assessment Specialist Bristol

An excellent opportunity exists on the staff of the Regional Scientific Officer for an engineer/physicist to be in at the beginning of a new scientific equipment acceptance and assessment service to be operated by the South Western Regional Health Authority.

Candidates, preferably of graduate status, must be able to give evidence of successfully combining a broad knowledge of radiological practice with practical engineering abilities in electronics and mechanics. He/she will be seconded to the Bioengineering Group of the Department of Medical Physics of the Bristol and Weston Health Authority from which the operational field work will be provided.

Salary at Whitley Council rate appropriate to qualifications and experience.

Application forms and job descriptions from

Employment Section, Regional Personnel Department, South Western Regional Health Authority, King Square House, 26/27 King Square, Bristol BS2 8EF. Telephone Bristol 423271, Ext. 281/282.

Closing date: 16th December, 1983.

(2345)

ARTICLES FOR SALE

Medical Physics Technician

Biomedical Engineering

c. £20,700 p.a. tax-free

New Saudi Arabian showcase Hospital

The National Guard King Khalid hospital in Jeddah caters not only for the National Guard, but their wives and children too. It is managed by the International Hospitals Group (IHG) in liaison with the British Government and supported by IAL. It is equipped to the highest international standards.

The post of Biomedical Engineer (Electronics) will give you responsibility for the calibration, repair and maintenance of a range of biomedical and X-Ray equipment. In addition to which you will be expected to modify equipment and systems.

You will need at least 10 years relevant experience, including six years spent in the maintenance of medical equipment or in the design, construction and testing of biomedical equipment in a university or manufacturing environment. You will also possess an HND/HNC or ONC in

Electrical/Electronics Engineering.

Preference will be given to suitably qualified Saudi Arabian nationals and Arabic speaking personnel.

This accompanied status position offers a tax-free salary of SR108,000 p.a. which will be paid in Saudi Riyals*. Benefits include an end of contract bonus, 49 days holiday per year, free return flights to the UK and free accommodation and medical care.

Facilities provided by the purpose-built complex include shops, gymnasium, theatre, swimming pool, tennis courts and restaurants.

*The conversion to sterling has been effected at the rate of SR5.2 = £1.

Please telephone John Callow on 01-574 5432 or write to him at IAL, Aeradio House, Hayes Road, Southall, Middlesex UB2 5NJ. Please quote Ref. M161.

IAL MEDICAL SERVICES RECRUITMENT SERVICES

(2339)

ARTICLES FOR SALE

RACAL COMMUNICATION RECEIVERS

500Kc/s to 30Mc/s IN 30 BANDS 1Mc/s WIDE - RA17 MK11 - E10 - RA11 - E10 - RA11E - E25. NEW METAL LOUVERED CASES FOR ABOVE E25 EACH. ALL RECEIVERS ARE AIR TESTED AND CALIBRATED IN OUR WORKSHOP. SUPPLIED WITH MANUAL AND DUST COVER. IN FAIR USED CONDITION.
RACAL SYNTHESISERS (DECADE FREQUENCY GENERATOR)
 MA3506 - SOLID STATE FOR USE WITH MA79 - RA17 - RA217 - ETC. E100 TO E150 - MA250 - 18Mc/s TO 315Mc/s E100 TO E150 - MA290 - PRECISION FREQUENCY STANDARD - 5Mc/s - 100KHz - E100 TO E150.
EDDYSTONE RECEIVER TYPE EC3647K - SOLID STATE - SINGLE CHANNEL - SSB - MAINS OR BATTERY POWERED - 16 TO 27.5Mc/s AND 400 - 535KHz - E100 WITH MANUAL.
REDIFON SSB RECEIVER TYPE R489 - SOLID STATE - 10 FIXED CHANNELS - RANGE 1.5 TO 30Mc/s AND 25KHz TO 525KHz - POWER MAINS OR BATTERY - COMPLETE WITH ISB ADAPTOR ARU10A - E100 WITH MANUAL. **REDIFON TT10** OR **TT11 AUDIO TELEPRINTER CONVERTOR** - SOLID STATE - TESTED WITH CIRCUIT - E25. CREEP TYPE IS TELEPRINTER - 50 AND 75 BAUDS FOR USE WITH ABOVE CONVERTOR - E25.

OSCILLOSCOPES

CT436 DUAL BEAM OSCILLOSCOPES - 5Mc/s - E45.
TEKTRONIX 6A7A - 100Mc/s - DUAL TRACE - SOLID STATE - E350 WITH MANUAL. **MARCONI TP995 SIGNAL GENERATOR** FROM 2Mc/s TO 15Mc/s TO 200Mc/s. AM - FM. A2M. E90 - A2. E90 - A5. E150 - WITH MANUALS. **TP2506 DIFFERENTIAL DC VOLT METER** - 0 TO 1100 volts - E100. **TP2002 AM SIGNAL GENERATOR** - 10Kc/s TO 72Mc/s - E30. **TP2002AS** - FM AND AM SIGNAL GENERATOR - 10Kc/s TO 72Mc/s - E600. **TP2170B DIGITAL SYNCHRONIZER** FOR ABOVE - E350. **TP1066B/6** - FM - AM - SIGNAL GENERATION METER AND TP1248 OSCILLATOR - E200. **H.P. SIGNAL GENERATORS** - E20B - 7 TO 11 GIGS - E150. **600** - 10 - 420Mc/s. **E70. 612A** - 450 - 1200Mc/s - C200. **MARCONI AF WATT METER** C744 NOT ABSORPTION - 200 MICROWATTS TO 6 WATTS - IN 10 RANGES SWITCHED - 2150 Ohms - E45. **TP893A** - AF WATT METER - 1 MILLIWATT TO 10 WATTS. 25 Ohms TO 20K Ohms. IN 40 STEPS - E55. **THYRISTOR TEST SET** - E750. **VOLTAGES UP TO 2KV** - E100. **TEKTRONIX 4002A GRAPHIC COMPUTER TERMINAL WITH JOYSTICK** - E400. **TEKTRONIX 4601** - HARD COPY UNIT FOR USE WITH ABOVE - E150. **BOTH UNITS FOR** - E500. **RACAL DIGITAL COUNTERS** TYPE 801M - 125Mc/s - E50. **RACAL 836 COUNTER** - 35Mc/s - E50.

V.A.T. AND CARRIAGE ON ABOVE ITEMS EXTRA.
 ALL ITEMS ARE BOUGHT DIRECT FROM H.M. GOVERNMENT. BEING SURPLUS EQUIPMENT. PRICE IS VARYING. S.A.E. FOR ALL ENQUIRIES. PHONE FOR APPOINTMENT FOR DEMONSTRATION OF ANY ITEM.

JOHN'S RADIO
 WHITEHALL WORKS, 84 WHITEHALL ROAD EAST
 BIRKENSHAW, BRADFORD BD11 2ER
 TEL: (0274) 684007

WANTED - REDUNDANT TEST EQUIPMENT RECEIVING AND TRANSMITTING EQUIPMENT - VALVES PLUGS AND SOCKETS - SYNCHROS, ETC.

THE SCIENTIFIC WIRE COMPANY

811 Forest Rd, London, E.17. Tel. 01-531 0574

ENAMELLED COPPER WIRE				
SWG	1lb	8oz	4oz	2oz
8 to 34	£3.63	£2.09	£1.10	£0.88
35 to 39	£3.82	£2.21	£1.27	£0.93
40 to 43	£4.00	£2.30	£2.25	£1.61
44 to 47	£8.67	£5.80	£3.49	£2.75
48	£15.96	£9.58	£5.38	£3.69

SILVER PLATED COPPER WIRE				
	14 to 30			
	£9.09	£5.20	£2.93	£1.97

TINNED COPPER WIRE				
	14 to 30			
	£3.97	£2.41	£1.39	£0.94

Fluxcore Solder				
	14 to 30			
	£5.90	£3.25	£1.82	£0.94

Prices include P.&P. and VAT. Orders under £2 add 20p. S.a.s. for list of copper and resistance wire. Dealer enquiries welcome. (9063)

INVERTERS

High-quality DC-AC; also "no break" (2ms) static switch, 19in. rack. Auto Charger.



COMPUTER POWER SYSTEMS-

Interport Mains-Store Ltd.
 POB 51, London, W11 3BZ

Tel: 01-727 7042 or 0225 310916 (9101)

VALVES, PROJECTOR Lamps, 6000 types, list 75p, world wide export. Cox Radio (Sussex) Ltd., The Parade, East Wittering, Sussex. Phone (024 366) 2023. (1991)

BUSINESS OPPORTUNITIES

FOR SALE

Established Electronic Organ repair business covering Surrey, Sussex and South London. Ideal for self-employed electronics engineer. Offers around £5,000.

Details
 BOX 2325

ARTICLES FOR SALE

RADIO AND TV SERVICING 1982-83 MODELS

by R. N. Wainwright Price £23.50

THE ART OF ELECTRONICS by Horowitz Hill Price £16.00

INTEGRATED ELECTRONICS by Millman-Halkias Price £11.25

PRINCIPLES OF INTERACTIVE COMPUTER GRAPHICS by William M. Newman Price £12.50

BASIC PRINCIPLES AND PRACTICE OF MICROPROCESSORS by D. E. Heffer Price £6.50

VHF UHF MANUAL 4th Ed. by G. R. Jessop Price £10.00

INTERNATIONAL VIDEO YEAR-BOOK 1983/84 Price £26.00

DOMESTIC VIDEOCASSETTE RECORDERS by Steve Beeching Price £15.00

1983 THE RADIO AMATEUR'S HANDBOOK Price £10.00

TOWERS' INTERNATIONAL MOSPOWER AND OTHER FET SELECTOR by T. D. Towers Price £10.50

★ ALL PRICES INCLUDE POSTAGE ★

THE MODERN BOOK CO.

BRITAIN'S LARGEST STOCKIST of British and American Technical Books

19-21 PRAED STREET LONDON W2 1NP

Phone 01-402 9176

Closed Saturday 1 p.m.

Please allow 14 days for reply or delivery

(2245)

Two essentials for every video test engineer-

VIDEO LINE SELECTOR converts your cheap scope into a video waveform monitor.

PATTERN GENERATOR ALSO 12 VOLT ADAPTIONS OF IKEGAMI 9" & 12" MONITORS

Contact Andrew Smith
INSIGHT VISION SYSTEMS LTD
 Unit 1, Merebrook, Hanley Road, Malvern
 Worcs WR13 6NP. Tel (0684) 310001 (2353)

LINSLEY HOOD DESIGNS

75Watt and 100W amps

Audio Signal Generators

75Watt amp p.c.b. £2.30

100Watt Mosfet p.c.b. £4.00

p&p 50p

S.A.E. for leaflets

TELERADIO ELECTRONICS

325 Fore Street, London N9 0PE (1762)

MULTITURN CERMET TRIMMERS

Make Allan Bradley
 Type 94P non transparent £22p 1K+
 Type 95P transparent £22p 10p
 Valves 10-470R, 2K-500K, 1M, 2M, 2M2, 18 pin low profile I.C. socket 10p 7p

Please phone or telex
DIW MARKETING
 3 Whitney Avenue, Ilford, Essex
 Tel: 01-445 6645/550 4774
 Telex 856 559 At. DIW (2324)

ENCAPSULATING EQUIPMENT FOR coils, transformers, components, degassing silicone rubber, resin, epoxy. Lost wax casting for brass, bronze, silver, etc. Impregnating coils, transformers, components. Vacuum equipment, low cost, used and new. Also for CRT regunning metallising. Research & Development, Burratts, Mayo Road, Croydon CR0 2QP. 01-684 9917. (9678)

MANAGEMENT & EXECUTIVE SELECTION

telephone
 01-637 9611

DESIGN SUPPORT ENGINEERS WEST OF LONDON £8-12K

With a first-class reputation for design excellence combined with an aggressive marketing team, our client offers a broad spectrum of stable opportunities for both Analogue and Digital Electronics Engineers.

Their present requirement is for Design Support Engineers to liaise with established clients and in-house production to maintain a high level of technology and reliability within existing equipment by modification and refinement.

These are ideal opportunities for mature, experienced engineers who wish to expand their administrative responsibilities with involvement in writing reports and maintenance of design records, but also wish to retain the technical involvement of practical bench work.

You are likely to be aged 25+ with an industrial electronics design background, (Test Equipment Designers are of particular interest), HNC or Full Tech. Certificate or equivalent, and will possess the reliable dedication required to meet the exacting requirements of Military standards.

In exchange the company offers competitive salaries (£8-12K), paid overtime, 25 days' holiday, group membership of BUPA, contributory pension scheme and relocation assistance where applicable.

For an informal discussion phone Philip Joice or Kirk Blackmore on 01-637 9611.

Suite 201/6 Albany House
 324 Regent Street London W1
MANAGEMENT & EXECUTIVE SELECTION (2347)

ARTICLES FOR SALE

B&T ELECTRONICS

13 TANNERS HILL

DEPTFORD, LONDON, S.E.8

TEL: 01-632 1441

1,000s ELECTRONIC, ELECTRICAL MECHANICAL ITEMS

Xenon Tubes. Type XBLU 50/00 Eclatron £2.50 each. P&P 60p. Quantity discounts. P.O.A.

Xenon Flashers. Complete panel with dual flash rate, 12-18 volts DC, inc. Tube, Base, Fuse + Holder, 10 metres connecting wire. Full instructions. 3 months' guarantee. Complete package only £10 + £1.80 P&P. Discounts. P.O.A.

Enamelled Copper Wire. .090, .080, .180 MM ES per 1kg Reel + £1.80 P&P.

AVO 8 Movements. Mk 3 plus spares, plus damaged Meters. P.O.A. Will sell as one lot. £400.

Measured Pressure Transducers £25 each. S.A.E. LISTS.

Meters Mcoil, dc plastic, as used in Japanese and 10 units, app. size 5.5mmx4.5mm. We have Power W. V.U. Signal, or Battery level. 100 or 200 micro amp fsd. £1.50 each. P&P 60p. (2296)

PLUG SINCLAIR ZX printer, into any RS232/RS423 micro with the "Enterprint 1200" adapter. Gives upper/lower case ASCII plus teletext style graphics. Ideal for BBC micro. Only £25. Also available Z80 Micro boards with prom ram, serial port, memory map, same as ZX81. Accepts most ZX81 Addons. Ideal controller module. £25. ZP4000 Eprom programmer. £45. All + V.A.T., p&p free. - Enterprise Technology Limited, PO Box 140, Wigan WN3 6LF. (2332)

TENDERS

London-Yorkshire Motorway: Route M1

Major Maintenance: 1984/85 Programme Provision of a Site Radio Telephone System

Applications are invited from companies wishing to be considered for the supply and maintenance of this system on the basis of a medium term hire contract. The equipment is to be used for a period of approximately seven months during the maintenance programme in North Hertfordshire and South Bedfordshire.

Companies wishing to be considered should apply to: **The County Surveyor, County Hall, Cauldwell Street, Bedford MK42 9AP. Telephone: Bedford 63222 (STD 0234) Ext. 8.**

Bedfordshire

COUNTY COUNCIL

(2350)

NETWORK PLANNING ENGINEERS

NEWBURY, BERKSHIRE

**ATTRACTIVE SALARIES
RELOCATION ASSISTANCE**

Cabletime is a new member of the U.E.I. plc group which includes innovative, high technology companies such as Quantel, Link Electronics and Mirco Consultants.

Cabletime is involved with the design, development and installation of cable TV and data communications networks using optical fibre. Cabletime's advanced cable television system uses a star switched interactive network with head end computer control using DEC Vax computers. Cabletime also designs and installs data networks for large computer systems.

NETWORK PLANNING ENGINEERS to assist in the design of large communications networks for high speed computer data communication, and for broadband cable television distribution networks.

The job involves: interpreting customer requirements in conjunction with area mapping information to produce suitable network designs, providing technical support to the sales and project teams, evaluating electronic distribution equipment to be used within the networks.

Essential requirements are: a knowledge of data communication networks, a knowledge of television transmission, the ability to communicate with customers at a technical level, and some skill in technical writing. You should be qualified to BSc or HND/HTC level.



These positions require engineers with a high degree of self motivation, and the ability to follow projects from their conception through to commissioning. We offer you an excellent opportunity to get in at the start of this exciting new venture.

Send your cv to, or contact: **The Personnel Officer, Cabletime Limited, 17 West Mills, Newbury, Berkshire. Tel: Newbury (0635) 48222.**

cabletime (2337)

SERVICES

ANALOG COMPUTERS LIMITED chartpak stockist
CAPACITY NOW AVAILABLE FOR:

Design & Development, Complete Artwork Service, Camera Work, Prototype thru to Production PCB Manufacture/Assy.

5 Cork Street, Eccles, Maidstone, Kent, ME20 7HG
TELEPHONE [0622] 79987 TELEX 965633 (2348)

CIRCOLEC
THE COMPLETE ELECTRONIC SERVICE

Artwork, Circuit Design, PCB Assembly, Test & Repair Service, Q.A. Consultancy, Prototypes, Final Assembly. Full PCB Flow Soldering Service.

Quality workmanship by professionals at economic prices. Please telephone **01-646 5686** for advice or further details.

TAMWORTH MANOR
302-310 COMMONSIDE EAST, MITCHAM (1391)

CAPACITY AVAILABLE

P.C.B.'s

Printed Circuit Boards to your specification from artwork through to finished board.

QUICK DELIVERY - COMPETITIVE PRICES

CROFTON ELECTRONICS LIMITED

35 Grosvenor Road, Twickenham, Middlesex
TEL: 01-891 1923/1513 Telex: 295093

TW ELECTRONICS LTD
THE PCB ASSEMBLERS

More and more companies are investigating the advantages of using a professional subcontractor. Such an undertaking requires certain assurances.

TW are able to satisfy all of them - quality, competitive pricing, firm delivery and close co-operation with the customer.

Assembled boards at 100% inspected before flow soldering and reinspected after automatic cropping and cleaning.

Every batch of completed boards is issued with a signed certificate of conformity and quality - our final assurance.

For further details, contact us at our new works:

Blenheim Industrial Park
Bury St. Edmunds
Suffolk IP33 3UT
Telephone: 0284 3931 (1466)

PCB/ELECTRONIC ASSEMBLY

- ★ Circuit Design & Development
- ★ Prototyping
- ★ Pre-production Consultancy
- ★ Full Production Capability
- ★ Component Sourcing & Stocking
- ★ Complete Test Facilities

STAGECRAFT (ELECTRONICS) LTD
3 Churchfield Road
Acton Central, W3 8BH
Tel: 01-993 1852/3680 (2203)

BATCH PRODUCTION wiring and assembly to sample or drawings. McDeane Electricals Ltd, 19b Station Parade, Ealing Common, London W5. Tel: 01-992 8976. (169)

FREE PROTOTYPE of the finest quality with EVERY P.C.B. artwork designed by us. Competitive hourly rates, and high standard of work. Halstead Designs Limited. Tel: Halstead (0787) 477408. (2126)

PRINTED CIRCUIT BOARDS manufactured to your specifications at very reasonable prices. We can cater for the amateur and the professional. Very speedy deliveries on all orders. Give us a try. - Blackburn and Harrison, 7 Rope Walk, Bridlington, East Yorkshire YO15 2QY. Tel. 0262 601054. (2326)

SMALL BATCH PCB panel assembly to drawing or sample. Competitive rates, quick turnaround. Delta Engineering, 85 Sewell Highway, Coventry (0203) 449391 443895. (2227)

ARTICLES WANTED

WANTED

Test equipment, receivers, valves, transmitters, components, cable and electronic scrap, and quantity. Prompt service and cash. Member of A.R.R.A.

M & B RADIO

86 Bishopsgate Street
Leeds LS1 4BB
0532 35649

SURPLUS

We offer good prices for test equipment, components, redundant computers, PCB's connectors. Immediate settlement.

TIMEBASE

94 Alfriston Gardens
Sholing, Southampton SO2 8FU
Telephone: (0703) 431 323 (1832)

SERVICES

FOR THE BEST PCB SERVICE AVAILABLE

- ★ Circuit Design & Development Digital and Analogue
- ★ Artwork Layout Work of the highest standard by experienced draughtsmen. No minimum charge.
- ★ Board Manufacture Prototype to semi-production, excellent rates, 24-hour prototype service from filmwork.
- ★ Wiring & Assembly PCB assembly, wiring and cable forming by qualified staff.
- ★ Test Full test facilities available. One or all services available, no order too small. Please telephone Chelmsford (0245) 357935, or write to HCR Electronics, The Industrial Unit, Parker Road, Chelmsford. (1169)

Thamescity Limited

Electronic (Analog and Digital), electro pneumatic and control systems, R & D facilities for long or short run assembly and test to your design or ours at our new Maidstone facility

48 Southwark Street
London SE1 1UN
Tel: 01-407 7441
Telex: 8954665 (2281)

EPROM PROGRAMMING

From list and/or existing EPROM for most 5v N.MOS types. Charge £2.50 + 12 pence per 32 words manually entered. Erasing and EPROMS also available.

Bandley Chipware
28 Boroughgate
Appleby
Cumbria CA16 6AG
Tel: 0930 51027 (2220)

MENDASCOPE LTD

Repair and recalibrate oscilloscopes
All makes - all models
MENDASCOPE LTD
Otter House, Weston Underwood
Olney MK46 5JS
Tel: Bedford (0234) 712445 (2230)

SMALL BATCH PCB's, produced from your artwork, also DIALS, PANELS, LABELS. Camera work undertaken. **FAST TURNAROUND.** Details: Winston Promotions, 9 Hatton Place, London EC1N 8RU. Tel: 01-405 4127/0960. (9797)

PCBS & PANEL LABELS to your requirements. Design - Prototypes - Production. G. N. Sloc Custom Products, 78 Derry Grove, Thurmscoe, Rotherham, Yorks SG3 0TP. Telephone (0709) 89525. (1892)

COMMUNICATIONS POSITIONS TO MAKE YOU THINK A LITTLE FASTER

Below are a number of positions that will up the pulse and make the grey matter churn round a little faster.

Telephone Paul Hecquet or write to him to discuss these and many other positions we have within our Communications Division.

Systems Engineer/Proposals - on site work c£12,000 South East

The job will be to carry out complete systems appraisals/evaluations, generate a proposal for predominantly civil/civilian duty VHF/UHF users. Ref: 2/135.

TV Design Engineers £8 to £14,000 Wales

To work in the R & D area of consumer colour TV. Ref: 12/19.

Cable TV Design Engineers £9 to £16,000 South East

Experience in television engineering, VHF/UHF techniques and/or Data Comms would be useful to this Cable TV systems provider. Ref: 3/260.

Studio (TV) Management & Technical Staff Salaries from around £9,000 South East

For technical and engineer level people to around £17,000 for supervisory staff. You must have experience with a TV Broadcasting organisation though not necessarily UK based. Ref: 1/241.

The Electronics Recruitment Company

Temple House
25/26 High Street, Lewes
East Sussex BN7 2LU
Tel: Lewes (07916) 71271

(2313)

Senior Design Engineer

Video Circuitry

Adda Corporation of California has already established its reputation as leader in the innovative design and manufacture of a range of digital still-storage devices, TBC's and special effects products in the American market. Its plans for Europe involve a brand-new R&D facility in Waterford, in the Republic of Ireland where they offer this outstanding opportunity for someone to help shape the activities of a small team of engineers working at the frontiers of new technology with PAL Video products.

We would like to hear from career minded engineers (HND/graduate level) with several years experience in High Speed Digital/Analogue circuit design and hands-on experience in Real-time Digital Video Processing. You should have had exposure to phase-

lock-loop, microprocessor and High Speed (14 MHZ) Digital Memory, and Signal Processing and Control and the ability to help manage a project team would be an advantage.

An extremely attractive compensation package will be offered to the right person and a generous range of benefits will include car, health insurance and relocation expenses.

If you would like to know more please write or telephone to the consultant advising on the appointment John Stirling, Ref. 3813/JSB, AK Selection, 20 Soho Square, London W1A 1DS. Tel: 01-437 9261.

Austin Knight Selection (2342)

SERVICES

TURN YOUR SURPLUS Capacitors, transistors, etc, into cash. Contact COLES-HARDING & Co., 103 South Brink, Wisbech, Cambs. 0945-4188. Immediate settlement. We also welcome the opportunity to quote for complete factory clearance. (9509)

DESIGN SERVICES. Electronic design development and production service available for digital and analogue instruments. RF Transmitters and receivers, telemetry and control systems. 20 years' experience. R.C.S. Electronics, Wolsey Road, Ashford, Middlesex. Phone Mr Falkner 53661. (8341)

DESIGN AND DEVELOPMENT. ANALOGUE, DIGITAL, RF AND MICROWAVE CIRCUIT AND SYSTEM DESIGN. Also PCB design, mechanical design and prototype/small batch production. - Adenmore Limited, 27 Longshot Estate, Bracknell, Berks. Tel: Bracknell (0344) 52023. (656)

COMPUTER APPRECIATION

86 High Street, Bletchingley, Redhill, Surrey RH1 4PA — Tel: Godstone (0883) 843221

DATA GENERAL Micro Nova System comprising MP/200 processor with 64KByte memory, Model 5096 1.26MByte diskette, Model 6101 12.5MByte Winchester disc drive, 4 line synch/asynch terminal multiplexor, Model D200/100 VDU & Model LP2 (6190) 'Dasher' line printer. With RDOOS operating system including business Basic. All components are date stamped May/June 1982 by manufacturer. £3500
 RAI Model 320 Black Box Microcomputer System with twin 5 1/4" floppy disc drives, 128KB memory, 10MB 8" Winchester disc drive, 8 line terminal multiplexor (incl. printer interface). Software includes MP/M & CP/M is available for this 8085 based machine. £1750
 PDP 11/03 SYSTEM comprising LSI 11/2 processor with EIS/FIS, 64KB memory, PERTEC Model 3000 20MB front-loading disc drive (fully RK-05 compatible), DIALOG Model D0100 disc drive controller, DLV11, LPV11, LEAR Siegler Model 200 180cps bidirectional matrix printer (with serial & parallel interfaces), HAZELTINE Model 1552 VDU (24 x 80, VT-52 compatible). With RT-11 operating system & 6 cartridges. £2250
 PERTEC Model PCC 2000 SYSTEMS. We have a quantity of brand new surplus machines available. The basic machine features 8085 processor, P100 bus, detached keyboard with numeric & function pads, 64KB memory, 24 x 80 green display, twin 8" double density floppy disc drives, RS232 interface, CENTRONICS interface, daisywheel printer interface (suitable NEC, QUUME, DIABLO), CP/M available from us. £695
 PERTEC Model 3000 10MB hard disc for above with single card controller. £250
 CENTRONICS Model 702 matrix printer for above 120cps, bidirectional, microprocessor controlled. £385
 NEC Model 5500 'Spinwriter' for above. 55cps text printer featuring bidirectional printing at high speed & of high quality. BRAND NEW. £850
 DCC Model 10 COMPUTER SYSTEM with 8085 processor, 56KB memory, twin 8" floppy disc drive, 4 RS232 interfaces & DIABLO type hard disc interface. £350
 TEXAS INSTRUMENTS Model 771 Microcomputer System with green 24 x 80 display, keyboard & integral Silent 700 type thermal printer & model FD600 dual 8" floppy disc drives. Based on TMS9900 16 bit processor & with 64KB memory. With operating system. £550
 DIABLO Model 1345 daisy wheel printer, 45 cps bidirectional text printer with keyboard. £550

MANNESMAN/TALLY Model M80MC matrix printer. With microprocessor control, 200cps bidirectional printing with U/L case, self test, all electronics on single card (30 ics), heavy duty mechanism for serious commercial use. Original cost in excess of £1200. BRAND NEW & boxed. For 110V mains (a suitable transformer is available at c£15 from Samsons). £250
 MANNESMAN Model M78 matrix printer. Similar to above but earlier version. 240V operation. £100
 CUMEC SPRINT 5 daisy wheel printer. 45 cps, RS232 interface. BRAND NEW. £650
 COMMODORE Model 8027 daisy wheel printer for PET. IEEE Interface. BRAND NEW. £450
 CENTRONICS Model 730-2 matrix printer. BRAND NEW. £395
 DIGITAL EQUIPMENT Model RX01 floppy disc drives for Q-bus with controller. £750
 DIGITAL EQUIPMENT Model PTS100 SYSTEM. PDP11 processor with 64KB memory & twin 8" floppy disc drives & two RS232 interfaces in compact desk top case. BRAND NEW. £1250
 DIGITAL EQUIPMENT Model BA11MF 8 slot backplane for Q-bus PDP11 with switch panel. Complete with LSI11/1 processor. £385
 MODULAR TECHNOLOGY Model 3001 acoustic coupler. £85
 FACIT Model 4020 High Speed Tape Reader. With parallel interface. £225
 TRANSTEC Model T200 12" green screen monitor. BRAND NEW. £65
 HITACHI 12" metal cased monitor. BRAND NEW. £100
 DIGITAL EQUIPMENT Model TU58 cassette tape drives. Twin drives & control. BRAND NEW & BOXED. £285
 TEKTRONIX Model 4601 hard copy unit for 400 Series graphics terminals. £225
 GOULD-BRYANS Model 50000 'COMPUGRAPH' A3 plotter with intelligent RS232 interface. Current new price £3500. £1650
 TEKTRONIX Model 611 graphics display. With a 1mm wide burn at extreme bottom of screen. £250

*All prices are exclusive of VAT & carriage
 *Visitors by telephone appointment, please

ELECTRONICS & Wireless world

INDEX TO ADVERTISERS

Appointments Vacant Advertisements appear on pages 102-111

PAGE	PAGE	PAGE
Adsum Ltd.72	Farnel Instruments Inside front cover	Nietronix Ltd.88
Advent Data Products63	Fieldtech Heathrow Ltd.48, 85	Olson Electronics4
Aero Electronics (AEL) Ltd12	Flight Electronics Ltd71	Opus Supplies21 Outside back cover
Ambit International22	Future Film Development20	Orion Scientific Products4
Antex Inside back cover		
Aspen96		
Arcom Control Systems98	Global Specialties Corp7	Pantechnic87
Armon Electronics Ltd12	Greatch Electronics100	P.M. Components Ltd94, 95
Audio Electronics3	Green Weld89	P&R Computer Shop85
	G.P. Industrial Electronics Ltd10/11	Practical Wireless6
		Pype Hayes98
B. Bamber Electronics92	Happy Memories72	Radiocode Clocks Ltd9
Black Star Ltd4	Harris Electronics4	Radford Laboratory Instruments Ltd98
Bradbury Ltd8	Harrison Brothers Electronic Dist.14	Radio Component Specialities18
Broadfields & Mayco85	Hart Electronic Kits Ltd88	Ralfe, P.F.100
	Hilomast Ltd5	Riscomp Ltd48
Cambridge Kits96	High Technology101	RST Valves86
Chiltern Electronics97, 99	House of Instruments19	
Clark Masts Ltd20		
Colomor (Electronics) Ltd91	ILP Electronics9, 13	Sarel Electric14
Computer Appreciation112	Insight Vision Systems Ltd98	Sowter, EA Ltd14
Computer Choice15	Integrex Ltd92	Sky Leader Radio Control89
Computer Solution68	Irvine Business Systems68	South Midland Communication Ltd91
Control Universal Ltd12		Special Products Distribution Ltd6
Crotech Instruments96	Keithley Instruments47	Stewart of Reading94
Cricklewood93	Klippon48	Surrey Electronics12
Display Electronics2	Langrex Supplies86	Taylor Bros90
Dwight Cavendish96	Lane F.C. Electronics18	Technomatic Ltd16/17
		Teledigital Computer64
Easibind90	Manners K.T.90	Thander Electronic6
Electronic Brokers87, 89, 91	Midwich Computer Co Ltd5, 67	Thanet Electronics Ltd8
Electronic Equipment94	Monolith90	Thurlby Electronics Ltd85
Electrostatic Ltd8		
Electrovalue Ltd88		
EMS Manufacturing Ltd20		
Essex Electronics19		

OVERSEAS ADVERTISEMENT AGENTS

France & Belgium: Norbert Hellin, 50 Rue de Chemin Veat, F-9100, Boulogne, Paris.

Hungary: Ms Edit, Bajusz, Hungexpo Advertising Agency, Budapest XIV, Varosliget. Telephone: 225 008 — Telex: Budapest 22-4525 INTFOIRE

Italy: Sig C. Epis, Etas-Kompass, S.p.a. — Servizio Estero, Via Mantegna 6, 20154 Milan. Telephone: 347051 — Telex: 37342 Kompass.

Japan: Mr. Inatsuki, Trade Media — IBPA (Japan), B.212, Azabu Heights, 1-5-10 Roppongi, Minato-ku, Tokyo 106. Telephone: (03) 585 0581.

United States of America: Ray Barnes, Business Press International Ltd, 205 East 42nd Street, New York, NY 10017 — Telephone (212) 867-2080 — Telex: 238327.

Jack Farley Jnr., The Farley Co., Suite 1584, 35 East Walker Drive, Chicago, Illinois 60601 — Telephone (312) 63074. Victor A. Jauch, Elmatex International, P.O. Box 34607, Los Angeles, Calif. 90034, USA — Telephone (213) 821-8581 — Telex: 18-1059.

Jack Mantel, The Farley Co., Suite 650, Ranna Building, Cleveland, Ohio 44115 — Telephone (216) 621 1919. Ray Rickles, Ray Rickles & Co., P.O. Box 2028, Miami Beach, Florida 33140 — Telephone (305) 532 7301. Tim Parks, Ray Rickles & Co., 3116 Maple Drive N.E., Atlanta, Georgia 30305. Telephone (404) 237 7432. Mike Loughlin, Business Press International, 15055, Memorial Site 119, Houston, Texas 77079 — Telephone (713) 783 8673.

Canada: Colin H. MacCulloch, International Advertising Consultants Ltd., 915 Carlton Tower, 2 Carlton Street, Toronto 2 — Telephone (416) 364 2269. *Also subscription agents.

Printed in Great Britain by QB Ltd, Sheppan Place, Colchester, for the proprietors, Business Press International Ltd, Quadrant House, The Quadrant, Sutton, Surrey SM2 5AS. © Business Press International Ltd 1983. Wireless World can be obtained abroad from the following: AUSTRALIA and NEW ZEALAND: Gordon & Gotch Ltd. INDIA: A. H. Wheeler & Co. CANADA: The Wm. Dawson Subscription Services Ltd; Gordon & Gotch Ltd. SOUTH AFRICA: Central News Agency Ltd; William Dawson & Son (SA) Ltd. UNITED STATES: Eastern News Distribution Inc., 14th Floor, 111 Eighth Avenue, New York, NY 10011.

THE NEW ANTEX TCSU-D

temperature control digital soldering unit

has joined the Antex range

advancing the science of soldering

With the New Antex TCSU-D High-Value high-performance unit. Its simple design incorporates an LED display and a unique ULA integrated circuit.

Tight temperature control can be maintained by setting the station — then removing the knob, preventing any further alteration, for laboratory, for workshop, for production-line. Joins the most sophisticated range of soldering equipment. Irons, bit, kits, stands, units and accessories — each at the fore front of soldering technology. It's just one more advance from Antex.

For the very latest in the science of soldering send for a catalogue now.

Please send literature and price list to: Made in England.
 Name Our products are
 Address widely distributed by
 Telephone wholesalers and
 Excluding V.A.T. (15%) and retailers throughout
 Postage & Packing the U.K. Please try
 your local dealer.

and keep up to date with ^{WW12}
 the science of soldering
 from ANTEX



TCSU1 Soldering Station
 For safe 24 volt temperature-controlled
 miniature soldering iron, variable tip
 temperature 65-430°C, antistatic
 earth connection, with XSTC or CSTC iron.
 R.R.P. £55.00

ST4 Stand
 R.R.P. £1.75

Model C
 — 15 Watts
 Stainless steel
 shaft only.
 240 and 115 volts
 R.R.P. £5.20
 50 and 24 volts
 R.R.P. £5.40

SK5 Soldering Kit
 Contains model
 CS230 iron and the
 ST4 stand
 R.R.P. £7.00

SK6 Soldering Kit
 Contains model
 XS230 iron and the
 ST4 stand
 R.R.P. £7.25

SK5-BP and SK6-BP
 Soldering Kits
 Fitted with safety plugs.
 SK5-BP kit R.R.P. £7.80
 SK6-BP kit R.R.P. £8.00

TCSU-D temperature control digital
 soldering unit.
 ● Temperature range — ambient to
 495°C. ● Bit temperature maintained
 to ± 5°C. ● Zero crossing switching ●
 Detachable sponge-tray and includes the
 world-famous ANTEX Iron. R.R.P. £67.50.



ANTEX (Electronics) Ltd.,

Mayflower House, Plymouth, Devon. Telephone: 0752 667377 Telex: 45296

WW-002 FOR FURTHER DETAILS

YOU HAVEN'T SEEN ANYTHING LIKE THIS ON A COLOUR MONITOR BEFORE.

An RGB monitor from JVC offering a resolution of 370 x 470 pixels for less than £150?

We guarantee you won't see another bargain like that in this or any other micro mag—or in any other supplier's showroom.

For we've managed to acquire the sole distribution rights to these superb machines and we are able to offer them at an unbeatable price.

There are two models available: medium resolution (370 x 470 pixels) at £149.95; and high resolution (580 x 470 pixels) at £229.95. (Both excluding VAT.)

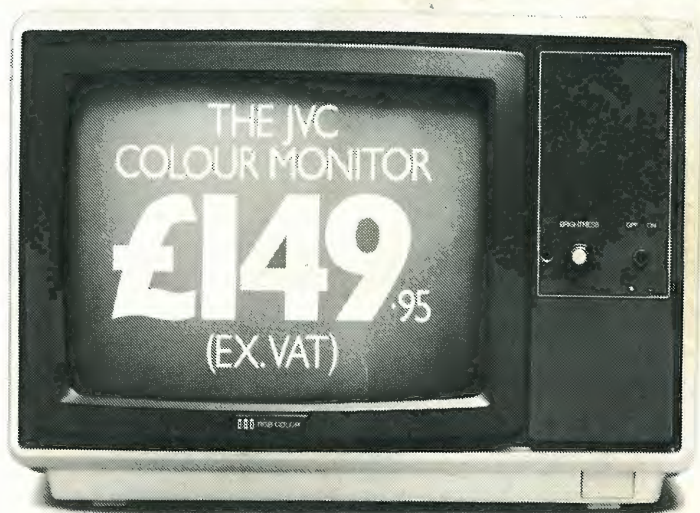
The units have a 14" screen and are suitable for the BBC Micro, Lynx, Oric, Apple, and most other leading micros.

They are robustly constructed in a handsome cream casing. And come with a full year's guarantee.

Delivery is good: your monitor should arrive by courier service within ten days of our receiving your order.

You can order by filling in the coupon below and posting to: Opus Supplies Ltd., 158 Camberwell Road, London SE5 0EE. Or by telephoning 01-701 8668 quoting your credit card number. Or, of course, you can buy in person at our showroom between 9am-6pm Monday-Friday, 9am-1.30pm Saturday.

MODEL REFERENCE	1302-1 Medium Resolution	1302-2 High Resolution
RESOLUTION	370 x 470 Pixels	580 x 470 Pixels
C.R.T.	14"	14"
SUPPLY	220/240v. 50/60Hz.	220/240v. 50/60Hz.
E.H.T.	Minimum 19.5kv Maximum 22.5kv	Minimum 19.5kv Maximum 22.5kv
VIDEO BAND WIDTH	6MHz.	10MHz.
DISPLAY	80 characters by 25 lines	80 characters by 25 lines
SLOT PITCH	0.63mm	0.41mm
INPUT: VIDEO	R.G.B. Analogue/ TTL Input	R.G.B. Analogue/ TTL Input
SYNC	Separate Sync on R.G.B. Positive or Negative	Separate Sync on R.G.B. Positive or Negative
EXTERNAL CONTROLS	On/off switch and brightness control	On/off switch and brightness control



To Opus Supplies Ltd., 158 Camberwell Road, London SE5 0EE.

Please send me _____ Medium Resolution Colour Monitor(s)
at £149.95 each (ex. VAT).

_____ High Resolution Colour Monitor(s) at
£229.95 each (ex. VAT).

_____ Connection lead(s) at £6.00 each.

I understand carriage per monitor will cost an extra £7.00.

(N.B. A Medium Resolution Monitor including VAT, lead, and carriage costs £187.39. A High Resolution Monitor including VAT, lead, and carriage costs £279.39.)

I enclose a cheque for £_____. Or please debit my credit card account with the amount of £_____. My Access/Barclaycard (please tick) no. is _____

Please state the make of your computer _____

Name _____

Address _____

Telephone: _____

Opus.
Opus Supplies Ltd.

WW2

WW - 003 FOR FURTHER DETAILS